

Catalogue

Installation Systems





Dear partners,

Advancements in technology, increasing restrictions and growing demands in terms of comfort and sustainability are placing high demands on building technology. Installations are becoming more and more complex. The secure guidance and attachment of media lines plays a particularly important role here. This is why we have developed our range of installation and fixing elements for building technology. In doing so, we have taken lots of practical experience into consideration to make your work easier.

In our main catalogue of installation systems, we have put together a wide range of MEP installations in a clearly laid out format. In addition our products for electrical installation, fixing elements for sanitary, a selection from our range of plugs as well as passive fire protection products are also listed in the catalogue. Each chapter shows the items required for one system. The layout of the catalogue quickly guides you to the components required in each case.

Our extended range of installation systems offers you safe, efficient and easy-to-assemble solutions for the fixing of pipe support lines in domestic construction, as well as for infrastructure projects and industrial buildings.

The fischer universal installation system FUS meets the highest requirements for fixing medium to heavy loads. The FUS installation system is now also available in hot dip galvanised coating, which further expands the scope of application. Our new fischer light installation channel system FLS complements the range as an optimal solution for fixing light loads. The multifunctional components save you from buying, storing and attaching several individual parts – thus saving you time and energy during installation.

Our discussions with you always provide us with major incentives for continuously improving our products, processes and services. Feel free to come to us with your suggestions at any time.

We look forward to continuing our successful collaboration.



Florian Birkenmayer

A brand and its promise to perform

„Whoever chooses fischer receives more than a range of safe products. The aim is to always develop the best solutions for our customers across the globe.“

Besides the innovative products, this predominantly concerns support that is focused on the customer, and services designed to improve customer benefit.



Continious improvement

With the fischer ProcessSystem (FPS), we ensure that we are adapting and optimising our processes in line with customer requirements in a flexible manner and on a continuous basis. Thus we are glad having been awarded with the 1. place "Excellence in Operations" within the challenging contest "Factory of the Year".



Award 2016
Excellence in Operations

Safety that connects – Decisive quality

We don't make any compromises when it comes to the safety of our products. A whole host of our products are distinguished by comprehensive, up-to-date and international approvals. The fischer product range is well-positioned in all sectors of fixing technology – Steel, Nylon and Chemical fixings. In award-winning quality which continues to impress both professional clients and private customers with equal measure.



See ICC-ES Evaluation Report at www.icc-es.org



International approvals characterise many of our products

Always with its finger on the pulse of the times

At fischer, innovation is more than just a sum of the patents. We are open to new things and are prepared for change – always with the aim of offering our customers the greatest possible benefits. Over the years, our own development and production sites have been developing numerous fixing solutions for the most wide-ranging applications.

Be it new production procedures or materials, such as renewable raw materials: We are carrying out the research for your safety and will continue to do so in the future. This gives us such great flexibility that we can even develop tailor-made customer solutions. This power to innovate has seen fischer become market leader in anchor technology and the fixing industry.





We take responsibility

Our active environment management policy means that we are helping to maintain an intact environment for our generation and for those that follow. The environment management policy at the Tumlingen site has been certified in line with DIN EN ISO 14001.

We are a member of the German Sustainable Building Council (DGNB), and our products have been successively certified in line with the guidelines provided by the Institute for Construction and the Environment (IBU). With our greenline products, we have introduced the first fixing assortment in the market, based on over 50% of regrowing raw materials.



Our service to you

We are a reliable partner, one that will stand at your side and address your individual requirements with advice and action:

- Our products range from **chemical systems to steel anchors** through to **plastic anchors**.
- **Competence and innovation** through own research, development and production.
- **Global presence** and active sales service in over 100 countries.
- **Qualified technical consulting** for economical and compliant fastening solutions. Also on-site at the construction site requested.
- **Training sessions**, some with accreditation, at your premises or at the fischer academy.
- **Design and construction software** for demanding applications.



fischer 360°-Service

Products – Detailed overview	8	1
Installation system galvanised		2
Pipe clamps	20	2a
Channel system FLS	60	2b
Channel system FUS	88	2c
Installation grid	138	2d
Fixpoint and sliding elements	150	2e
Air duct and metal roof fixings	160	2f
Accessories	170	2g
Installation system FUS hot-dip galvanised	194	3
Installation system stainless steel	240	4
Air conditioner fixings	252	5
Electrical fixings	258	6
Sanitary fixings	288	7
Plugs and anchors	298	8
Fire protection systems FireStop	338	9
Basic knowledge	348	10
Services	370	11



















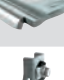
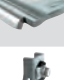








Pipe clamps

Type	Product	Image	Qualification			Type of pipes			Example of pipes	Page
			Fire tested	VdS-approved	FM-approved	light pipes	medium heavy pipes	heavy pipes		
	Hinged pipe clamp FGRS Plus					●	○	—	heating pipes, drinking water and service water pipes, medical gas supply	22
	Hinged pipe clamp FGRS					●	○	—	heating pipes, drinking water and service water pipes, medical gas supply	24
	Hinged pipe clamp FKS Plus for plastic pipes					●	○	—	heating pipes, drinking water and service water pipes	26
	Pipe clamp FRS Plus					○	●	—	heating pipes, drinking water and service water pipes, process pipes for gases and liquids	28
	Pipe clamp FRS-L Universal		✓			●	○	—	heating pipes, drinking water and service water pipes, medical gas supply	30
	Pipe clamp FRS Triple					○	●	—	gas and compressed air pipes, process pipes for gases and liquids	32
	Pipe clamp FRS		✓			○	●	—	heating pipes, drinking water and service water pipes, process pipes for gases and liquids	34
	Silicone pipe clamp FRSH					○	●	—	steam pipes	36
	Pipe clamp FRSN Triple					○	●	—	gas and compressed air pipes, process pipes for gases and liquids	38
	Pipe clamp FRSN					○	●	—	gas and compressed air pipes, process pipes for gases and liquids	40
	Heavy duty pipe clamp FRSM – inch					—	●	○	heating pipes, Process pipes for gases and liquids	42
	Heavy duty pipe clamp FRSM – metric					—	○	●	heating pipes, Process pipes for gases and liquids	44
	Refrigeration pipe clamp FRS K					○	●	—	cooling pipes	46
	Refrigeration pipe clamp KFT					—	●	○	cooling pipes	48
	Sprinkler clamp FRSP				✓	○	●	○	sprinkler pipes	52
	Sprinkler clamp FRSL			✓		○	●	○	sprinkler pipes	54
	U-Clamp FUBD					●	○	—	gas and compressed air pipes, process pipes for gases and liquids	56
	U-bolt ETR					○	●	○	sprinkler pipes, gas and compressed air pipes	51
	Hose clamp SGS					●	○	—	rubber pipes	58

○ possible ● recommended — not recommendable

Channel system FLS

1










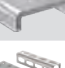






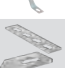


Type	Product	Image	Qualification	Type of pipes			Example of pipes	Page
				fire tested	light pipes	medium heavy pipes		
Channel FLS			✓	●	○	–	heating pipes, air ventilation, drinking water and service water pipes, Medical gas supply	62
FLS Cutting Tool								65
Cantilever arm ALK			✓	●	○	–	process pipes for gases and liquids, cable trays	67
Cover cap AK				●	○	–		69
Angle brace WS 31- 45°				●	○	–	heating pipes, drinking water and service water pipes, cable trays	70
Channel connector SV 31				●	○	–		72
Sliding channel nut FSM Clix P			✓	●	○	–	heating pipes, drinking water and service water pipes, medical gas supply	74
Sliding channel nut FSM Clix M			✓	●	○	–	heating pipes, drinking water and service water pipes, medical gas supply	76
T-head bolt FHS Clix			✓	●	○	–	heating pipes, drinking water and service water pipes, medical gas supply	78
Channel washer HK 31			✓	●	○	–		86
Saddle flange SF Clix 31				●	○	–		80
Angle bracket MW Clix 90°				●	○	–		82
Angle bracket MW and MWU				●	○	–		84
Beam clamp TKR 31				●	○	–		87

○ possible

● recommended

– not recommendable

1 Channel system FUS






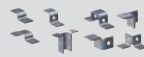






Type	Product Image	Qualification fire tested	Type of pipes			Example of pipes	Page
			light pipes	medium heavy pipes	heavy pipes		
Channel FUS		✓	○	●	○	heating pipes, drinking water and service water pipes, gas and compressed air pipes	90
Cantilever arm FCA		✓	—	●	○	process pipes for gases and liquids, cable trays	99
Large cantilever arm FCAM			—	●	●	heating pipes, Cooling pipes, process pipes for gases and liquids	103
Cover cap FEC			—	—	—		104
Push-through connector PFCN 41			○	●	○		105
Connector FCN Clix P and FCN Clix M		✓	○	●	○	heating pipes, drinking water and service water pipes, medical gas supply	117
T-head bolt FHS Clix S			○	●	○	heating pipes, drinking water and service water pipes, medical gas supply	119
Channel nut FCSN			○	●	○	heating pipes, drinking water and service water pipes, medical gas supply	121
Channel nut FCN			○	●	○	ventilation pipes, gas and compressed air pipes	123
Channel washer HK 41		✓	○	●	○		124
Channel connector FUF OC and PFUF OC			○	●	○	heating pipes, drinking water and service water pipes, gas and compressed air pipes	96
FDCC			○	●	○		97
Saddle flange PSF			○	●	○	heating pipes, drinking water and service water pipes, gas and compressed air pipes	107
Universal bracket PUWS			○	●	○	heating pipes, drinking water and service water pipes, gas and compressed air pipes	108
Angle bracket PWK			○	●	○	heating pipes, drinking water and service water pipes, gas and compressed air pipes	109
Variable bracket PVB			○	●	○		110
Bracing elements PSAE			○	●	○		111
Bracket PFFF			○	●	○	heating pipes, drinking water and service water pipes, gas and compressed air pipes	113
Bracket PFAF			○	●	○	heating pipes, drinking water and service water pipes, gas and compressed air pipes	114

○ possible ● recommended — not recommendable

Channel system FUS
















1

Products - Detailed overview

Type	Product Image	Qualification fire tested	Type of pipes			Example of pipes	Page
			leichte Leitung	medium heavy pipes	heavy pipes		
Bracket PFUF			○	●	○	heating pipes, drinking water and service water pipes, gas and compressed air pipes	115
Bracket PFUF D			○	●	○	heating pipes, drinking water and service water pipes, gas and compressed air pipes	116
Saddle flange SF		✓	—	●	○		125
Mounting bracket UWS		✓	—	●	○		126
Mounting bracket FAF			○	●	○		135
Flanges FZF			—	●	○		136
Bracket FFF			○	●	○		134
Variable bracket VB			○	●	○		131
Threaded rod bracket FSB 45°			○	●	○		132
Universal mounting UHRS			—	●	○		129
Universal hinge FUH			○	●	○		130
Beam clamp TKR			○	●	○		133

○ possible ● recommended — not recommendable

Installation grid

Type	Product	Image	Type of pipes			Example of pipes	Page
			light pipes	medium heavy pipes	heavy pipes		
	Channel FUS		○	●	○	heating pipes, drinking water and service water pipes, gas and compressed air pipes	143
	Cross connector FVS II		—	●	○	ventilation ducts and ventilation pipes, drinking water and service water pipes, gas and compressed air pipes, process pipes for gases and liquids, cable trays	142
	Channel nut FCN Clix P		○	●	○	heating pipes, drinking water and service water pipes, gas and compressed air pipes	147
	Universal hinge FUH		—	●	○		147
	Hexagonal connector VM		●	●	●		146
	Turnbuckle SPS, Bolt left-hand/right-hand BLR		—	●	○	Installation grid	146
	Channel connector FUF OC		—	●	○		144
	Beam clamp TKR		●	●	—	ventilation ducts and ventilation pipes, sprinkler pipes, water and waste water treatment	146
	Channel washer HK 41		○	●	○		144
	Threaded rod G		●	●	●		144
	Hexagonal nut MU		●	●	●		145
	Washer U		●	●	●		145
	Hexagonal screw SKS		●	●	○		145
	Channel nut FCN		○	●	○	ventilation pipes, gas and compressed air pipes	148
	Cover cap FEC		—	—	—		147








○ possible

● recommended







— not recommendable

Fixpoint and sliding elements

1

Type	Product Image	Qualification fire tested	Type of pipes			Example of pipes	Page
			light pipes	medium heavy pipes	heavy pipes		
Sound insulated fix point FSFP			○	●	○	heating pipes, drinking water and service water pipes plumbing, cooling pipes	152
Fixpoint clamp FFPS and -saddle FFPK			○	●	●	heating pipes, drinking water and service water pipes plumbing, cooling pipes	153
Sliding element GL			○	●	○	heating pipes, drinking water and service water pipes plumbing, cooling pipes	154
Sliding saddle SBS		✓	○	●	●	heating pipes, drinking water and service water pipes plumbing, cooling pipes	155
Sliding element FSC1			●	○	—	heating pipes, drinking water and service water pipes plumbing, cooling pipes	156
Sliding hanger SB		✓	●	○	—	heating pipes, drinking water and service water pipes plumbing, cooling pipes	157
Pendulum hanger PDH / PDH K		✓	○	●	○	heating pipes, drinking water and service water pipes plumbing, cooling pipes	158

Air duct and metal roof fixings

Type	Product Image	Qualification			Type of pipes			Example of pipes	Page
		fire tested	VdS-approved	FM-approved	light pipes	medium heavy pipes	heavy pipes		
Ventilation duct clamp LGS					●	○	—	ventilation pipes	162
Duct hanger L- and Z-type					●	○	—	ventilation pipes	164
Spiral duct hanger LRBN / LRB					●	○	—	ventilation ducts	165
Rubber inlay EMS					●	○	—	ventilation ducts and ventilation pipes	168
Profile hanger TZ / TZH			✓	✓	○	●	—	ventilation ducts and ventilation pipes, sprinkler pipes, water and waste water treatment	166
Hole punch LZ, hole stamp LST									167

○ possible ● recommended — not recommendable

1

Accessories













Type	Product Image	Qualification				Type of pipes			Example of pipes	Page
		fire tested	VdS-approved	FM-approved	UL-approved	light pipes	medium heavy pipes	heavy pipes		
Base plate GPL						○	●	—	ventilation ducts and ventilation pipes, sprinkler pipes, water and waste water treatment	178
Base plate GPR						●	○	—		178
Double connector plate DPP, DPF						●	○	—	heating pipes, water treatment	183
Bolt connector SBB						●	○	—		184
Clamp hanger TKL			✓	✓	✓	●	●	—	ventilation ducts and ventilation pipes, sprinkler pipes, water and waste water treatment	172
Beam Clamp Steel TKLS Steel Bite			✓	✓		●	●	—		174
Turnbuckle SPS, Bolt left-hand / right-hand BLR						—	●	○	Installation grid	184
Parallel connector PV						●	○	—		182
Support hanger AHB						●	●	●		180
Multi connector MW						●	—	—		181
Threaded rod G / Threaded stud GS						●	●	●		176
Hexagonal nut MU						●	●	●		186
Washer U						●	●	●		185
Reduction pieces						●	●	—		187
Hexagonal screw SKS						●	●	○		185
Stud screw STST with bit head and Hex shank						●	●	—	heating pipes, water and waste water treatment	179
Installation tool for stud screw HED										184
Hexagonal connector VM						●	●	●		186
Eyebolt AG						●	●	—		188
Thread hanger RAH						●	●	—		187
Reduction socket RDM and GRD						●	○	—		188
Flat eye screw LLS						●	●	—		188
Textile web strapping GWB						●	○	—	heating pipes, water and waste water treatment, temporary pipes	189
Perforated steel banding LBV / LBK						●	○	—	heating pipes, water and waste water treatment, temporary pipes	190
Impact nail ED						●	—	—		191

○ possible ● recommended — not recommendable

Installation system FUS hot-dip galvanised

1

Products - Detailed overview

Type	Product	Image	Qualification	Type of pipes			Example of pipes	Page
				fire tested	leichte Leitung	medium heavy pipes		
	Pipe clamp FRS zl			○	●	—	heating pipes, drinking water and service water pipes, gas and compressed air pipes	196
	Channel FUS hdg.		✓	—	●	○	heating pipes, drinking water and service water pipes, gas and compressed air pipes	198
	Channel connector FUF OC hdg.			○	●	○	heating pipes, drinking water and service water pipes, gas and compressed air pipes	203
	Cantilever arm FCA hdg.		✓	—	●	○	process pipes for gases and liquids, cable trays	204
	Large cantilever arm FCAM hdg.			—	●	●		207
	Cover cap FEC			—	—	—		208
	Connector FCN Clix P hdg. / FCN Clix M hdg.		✓	—	●	○		221
	Channel washer HK 41 hdg.		✓	○	●	○		223
	Saddle flange SF hdg.		✓	—	●	○		224
	Mounting bracket UWS hdg.		✓	—	●	○		225
	Angle bracket WK hdg.			○	●	○	heating pipes, drinking water and service water pipes, gas and compressed air pipes	226
	Bracket FAF hdg.			○	●	○		234
	Flanges FUF hdg.			○	●	○	heating pipes, drinking water and service water pipes, gas and compressed air pipes	235
	Bracket FFF hdg.			○	●	○		232
	Variable bracket VB hdg.			—	●	○		228
	Threaded rod bracket FSB 45° hdg.			○	●	○		229
	Beam clamp TKR hdg.			○	●	○		230
	Threaded rod G hdg.			●	●	●		237
	Washer U mz			●	●	●		237
	Hexagonal nut MU hdg.			●	●	●		238
	Hexagonal screw SKS hdg.			●	●	○		238

○ possible ● recommended — not recommendable




Installation system stainless steel

Type	Product Image	Qualification fire tested	Type of pipes			Example of pipes	Page
			light pipes	medium heavy pipes	heavy pipes		
Pipe clamp FRS A2/A4			○	●	—	heating pipes, drinking water and service water pipes, medical gas supply	242
Channel MS-L A2			●	○	—	heating pipes, drinking water and service water pipes, medical gas supply	243
Cantilever arm ALK A2			●	○	—	process pipes for gases and liquids, cable trays	243
T-head bolt FHS Clix A2			●	○	—	heating pipes, drinking water and service water pipes, medical gas supply	243
Installation angle bracket MW A2			●	○	—	gas and compressed air pipes, process pipes for gases and liquids	244
Saddle flange SF A2			●	○	—		244
Channel nut HG A2			●	○	—	gas and compressed air pipes, process pipes for gases and liquids	244
FUS Channel A2/A4		✓	○	●	○	heating pipes, drinking water and service water pipes, gas and compressed air pipes	245
Cantilever arm FCA A4		✓	—	●	○	process pipes for gases and liquids, cable trays	245
Saddle flange SF L A4		✓	—	●	○		246
Mounting bracket FAF A4			—	●	○		246
Beam clamp TKR			—	●	○		248
Channel washer HK 41		✓	○	●	○		248
Clix channel nut FCN Clix A4		✓	—	●	○	heating pipes, drinking water and service water pipes, gas and compressed air pipes	249
Stud screw STS A2/A4			●	●	—	heating pipes, water and waste water treatment	249
Threaded rod G A2/A4		✓	●	●	○	ventilation ducts and ventilation pipets	250
Threaded stud GS A4		✓	●	●	○	ventilation ducts and ventilation pipets	250
Hexagonal connector VM A4			●	●	○		250
Washer U A4			●	●	○		251
Hexagonal nut MU A4			●	●	○		251
Hexagonal screw SKS A4			●	●	○		251

○ possible ● recommended — not recommendable















Air conditioner fixings

1

Product		Applications	Page
Type	Image		
Air conditioner fixing MCE		air conditioner on wall	254
Air conditioner fixing KSU		air conditioner on wall	256
Sound absorption element PA		air conditioner wall fixed, fans and pumps	257

Products - Detailed overview






Electrical fixings

Product		zinc plated	hdg	A4	C (1.4529)	Principles of function	Type of installation	Anchoring base		Approval		Application recommendation	Page
Type	Image							Concrete	Masonry	ETA	ICC		
ClipFix plus LS/ES/ZS						c)		✓				conduits, flexible pipes	260
ClipFix plus SD						c) 2)		✓				trunking, strips, profiles	262
Cable clasp KB						c) 2)		✓				conduits	264
Cable harness SHA												conduits, flexible and rigid plastic pipes	266
Pipe clip RC												rigid plastic pipes	268
Pipe clip FC												conduits, flexible and rigid plastic pipes	270
Saddle clip SCH												conduits, flexible and rigid plastic pipes	272
Nail clip NS / MNS						c)			✓			conduits	274
Nail disc NSB						c)			✓			cables in wall slots	276
Spacer pipe clamp AM		✓										metal conduits according to DIN 49020	278
Conduit clip BSM		✓										conduits, flexible and rigid plastic pipes, metal conduits	280
Impact nail ED		✓				c)						conduit clips	282
Cable tie BN / UBN												conduits, flexible and rigid plastic pipes	284
Wireclip												for suspension of lighting, trunking, busbar	286

- 1) Pre-positioned installation 2) Push-through installation 3) Stand-off installation
a) Adhesive locking b) Interlocking c) Friction locking

Sanitary fixings

1

Type	Image	zinc plated	hdg	A4	C (1.4529)	Principles of function	Type of installation	Anchoring base		Approval		Application recommendation	Page
								Concrete 	Masonry 	ETA	ICC		
Sanitary fixings for board materials		✓				b) c)	2)	✓	✓			wash basins and urinals	290
Ceramic fixings		✓				c)	1) 2)	✓	✓			free-standing toilets	292
Wash basin and urinal fixings		✓				c)	1) 2)	✓	✓			wash basins and urinals	294

- 1) Pre-positioned installation 2) Push-through installation 3) Stand-off installation
a) Adhesive locking b) Interlocking c) Friction locking



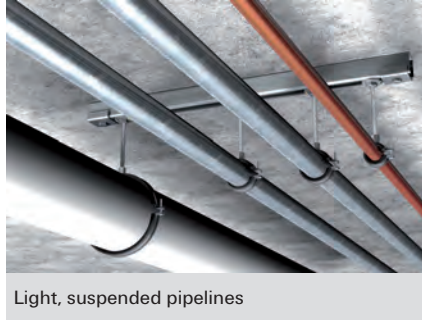
2a Pipe clamps

	Page		Page
SINGLE SCREW PIPE CLAMPS		HEAVY DUTY PIPE CLAMPS	
Hinged pipe clamp FGRS Plus	 22	Heavy duty pipe clamp FRSM - inch	 42
Hinged pipe clamp FGRS	 24	Heavy duty pipe clamp FRSM - metric	 44
Hinged pipe clamp FKS Plus for plastic pipes	 26	INSULATED PIPE CLAMPS	
TWO SCREW PIPE CLAMPS		Refrigeration pipe clamp FRS K	 46
Pipe clamp FRS Plus	 28	Refrigeration pipe clamp KFT	 48
Pipe clamp FRS-L Universal	 30	SPRINKLER CLAMPS	
Pipe clamp FRS Triple	 32	Sprinkler clamp FRSP	 52
Pipe clamp FRS	 34	Sprinkler clamp FRSL	 54
Silicone pipe clamp FRSH	 36	OTHERS	
Pipe clamp FRSN Triple	 38	U-Clamp FUBD	 56
Pipe clamp FRSN	 40	U-bolt ETR	 51
		Hose clamp SGS	 58

The one-piece hinged pipe clamp with rapid-locking mechanism

2a

Pipe clamps



Light, suspended pipelines



Pipelines on cantilevers

APPLICATIONS

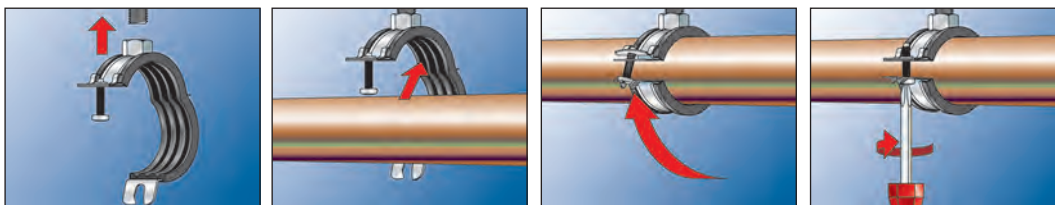
- Time-saving fixing for pipes up to Ø2" using threaded rods or stud screws

ADVANTAGES/BENEFITS

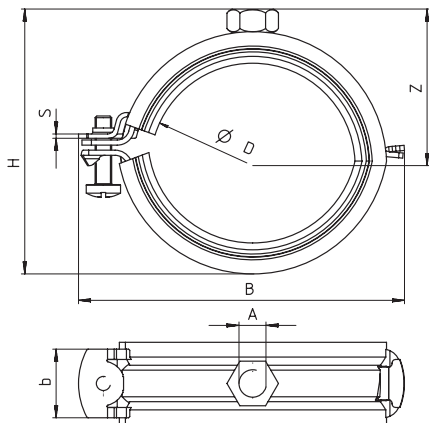
- The rapid-locking mechanism allows a fast and time-saving installation.
- The tight fit of the sound insulation insert prevents it from falling out when inserting the pipe.
- The safety latch fastening guarantees pipe installation without the clamp springing open.
- The combination connecting nut with M8/M10 thread on the FGRS Plus M8/M10 allows optimised mounting choices.
- The screw's combination cross-drive thread allows flexibility during the installation process.
- The compact construction of the pipe clamp enables a simple post-installation insulation.

PROPERTIES

- **Material:** steel DC01 (material no. 1.0330) acc. to DIN EN 10130
- **Zinc plating:** electro zinc-plated, 5 - 9 µm
- **Connecting nut:** resistance welded, SW 13
- **Locking screw:** flat head screw with combination recessed head
- **Material sound insulation insert:** SBR/EPDM; chlorine-free; silicone-free
- **Sound insulation:** for DIN 4109
- **Temperature range:** -40 °C to +100 °C
- **Hardness:** 55 ± 5° Shore A
- **Fire behaviour:** DIN 4102: Class B2

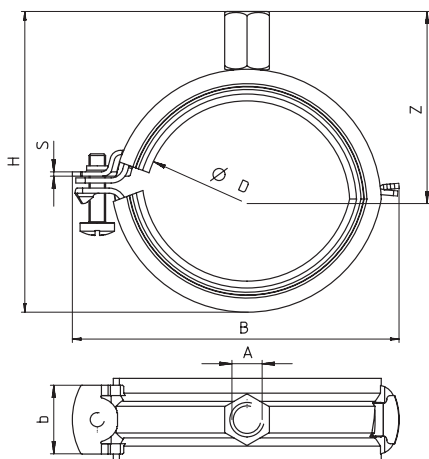


TECHNICAL DATA



Item	Art.-No.	Thread	Size	Clamping range	Width B	Height H	Width x thickness clamp band	Height Z	Locking screw	Max. recom. static load (centr. tension) N _{recom.} [kN]	Sales unit [pcs]
		A	[inch]	D [mm]	B [mm]	H [mm]	b x s [mm]	Z [mm]			
FGRS Plus 12 - 14	079400	M 8	1/4"	12 - 14	48	35	20 x 1.25	21	M 5	0.65	100
FGRS Plus 15 - 19	079401	M 8	3/8"	15 - 19	52	40	20 x 1.25	24	M 5	0.65	100
FGRS Plus 20 - 24	079402	M 8	1/2"	20 - 24	58	45	20 x 1.25	26	M 5	0.65	100
FGRS Plus 25 - 30	079403	M 8	3/4"	25 - 30	63	49	20 x 1.25	28	M 5	0.65	100
FGRS Plus 32 - 37	079404	M 8	1"	32 - 37	72	57	20 x 1.25	32	M 5	0.65	100
FGRS Plus 40 - 44	079405	M 8	1 1/4"	40 - 44	79	66	20 x 1,5	37	M 5	0.90	50
FGRS Plus 45 - 50	079406	M 8	1 1/2"	45 - 50	88	76	20 x 1,5	42	M 5	0.90	50
FGRS Plus 50 - 55	079407	M 8	–	50 - 55	94	82	20 x 1,5	45	M 5	0.90	50
FGRS Plus 56 - 63	079408	M 8	2"	56 - 63	99	85	20 x 1,5	46	M 5	0.90	50

TECHNICAL DATA



Item	Art.-No.	Thread	Size	Clamping range	Width B	Height H	Width x thickness clamp band	Height Z	Locking screw	Max. recom. static load (centr. tension) N _{recom.} [kN]	Sales unit [pcs]
		A	[inch]	D [mm]	B [mm]	H [mm]	b x s [mm]	Z [mm]			
FGRS Plus 12 - 14 M8/M10	079430	M 8 / M 10	1/4"	12 - 14	48	46	20 x 1.25	31	M 5	0.65	100
FGRS Plus 15 - 19 M8/M10	079431	M 8 / M 10	3/8"	15 - 19	52	51	20 x 1.25	34	M 5	0.65	100
FGRS Plus 20 - 24 M8/M10	079432	M 8 / M 10	1/2"	20 - 24	58	56	20 x 1.25	36	M 5	0.65	100
FGRS Plus 25 - 30 M8/M10	079433	M 8 / M 10	3/4"	25 - 30	63	60	20 x 1.25	38	M 5	0.65	100
FGRS Plus 32 - 37 M8/M10	079434	M 8 / M 10	1"	32 - 37	72	68	20 x 1.25	42	M 5	0.65	100
FGRS Plus 40 - 44 M8/M10	079435	M 8 / M 10	1 1/4"	40 - 44	79	76	20 x 1,5	47	M 5	0.90	50
FGRS Plus 45 - 50 M8/M10	079436	M 8 / M 10	1 1/2"	45 - 50	88	86	20 x 1,5	52	M 5	0.90	50
FGRS Plus 50 - 55 M8/M10	079437	M 8 / M 10	–	50 - 55	94	92	20 x 1,5	55	M 5	0.90	50
FGRS Plus 56 - 63 M8/M10	079438	M 8 / M 10	2"	56 - 63	99	95	20 x 1,5	56	M 5	0.90	50

The one-piece hinged pipe clamp with floating single screw

2a

Pipe clamps



Fixation with multi-connector



Leightweight installation on cantilever

APPLICATIONS

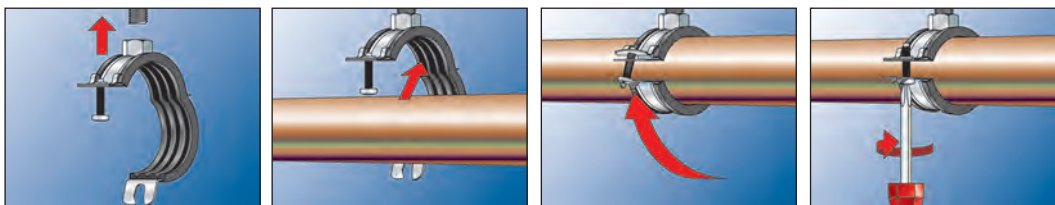
- For economical fixing of pipes up to Ø2" with threaded rods or stud screws

ADVANTAGES/BENEFITS

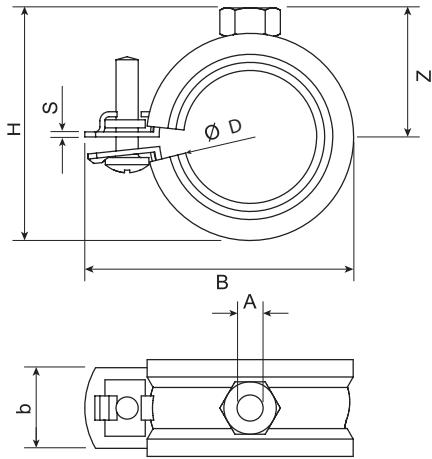
- The floating single screw allows a simple, one-handed installation.
- The safety latch fastening guarantees secure pipe installation without the clamp springing open.
- The compact construction of the pipe clamp enables a simple post-installation insulation.
- The screw's design stops it falling out during the installation.

PROPERTIES

- **Material:** steel DD11 (material no. 1.0332) acc. to DIN EN 10111
- **Zinc plating:** electro zinc-plated, 5 - 9 µm
- **Connecting nut:** resistance welded, M8, SW 13
- **Locking screw:** flat head screw with combination recessed head
- **Material sound insulation insert:** EPDM; chlorine-free; silicone-free
- **Sound insulation:** for DIN 4109
- **Temperature range:** -40 °C to +100 °C
- **Hardness:** 55 ± 5° Shore A
- **Fire behaviour:** DIN 4102: Class B2



TECHNICAL DATA



Item	Art.-No.	Thread A	Size [inch]	Clamping range D [mm]	Width B B [mm]	Height H H [mm]	Width x thickness clamp band b x s [mm]	Height Z Z [mm]	Locking screw	Max. recom. static load (centr. tension) N _{recom.} [kN]	Sales unit [pcs]
FGRS 8 - 11	537212	M 8	–	8 - 11	45	29	20 x 1.25	17	M 5	0.80	100
FGRS 12 - 14	079420	M 8	1/4"	12 - 14	48	31	20 x 1.25	21	M 5	0.80	100
FGRS 15 - 19	079421	M 8	3/8"	15 - 19	52	36	20 x 1.25	24	M 5	0.80	100
FGRS 20 - 24	079422	M 8	1/2"	20 - 24	58	41	20 x 1.25	26	M 5	0.80	100
FGRS 25 - 30	079423	M 8	3/4"	25 - 30	63	47	20 x 1.25	28	M 5	0.80	100
FGRS 32 - 37	079424	M 8	1"	32 - 37	72	54	20 x 1.25	32	M 5	0.80	100
FGRS 40 - 44	079425	M 8	1 1/4"	40 - 44	79	61	20 x 1,5	37	M 5	0.90	50
FGRS 45 - 50	079426	M 8	1 1/2"	45 - 50	88	67	20 x 1,5	42	M 5	0.90	50
FGRS 50 - 55	079427	M 8	–	50 - 55	94	72	20 x 1,5	45	M 5	0.90	50
FGRS 56 - 63	079428	M 8	2"	56 - 63	99	80	20 x 1,5	46	M 5	0.90	50

The one-screw hinged pipe clamp with quick-release fastener for plastic and metal composite pipes

2a
Pipe clamps



Plastic pipe with fixpoint installation

APPLICATIONS

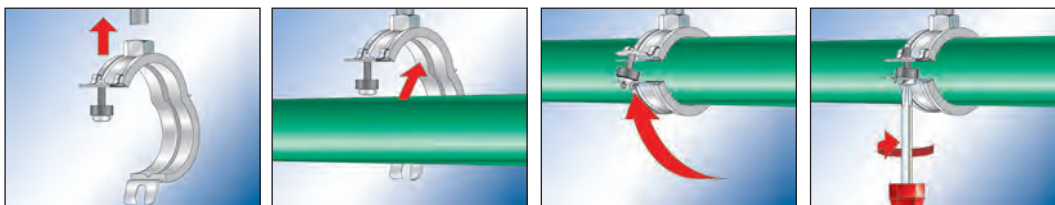
- Time-saving fixing for plastic and metal composite pipes using threaded rods or stud screws
- Can be used as a slide bracket with spacers or as a fixed point clamp by removing the spacers

ADVANTAGES/BENEFITS

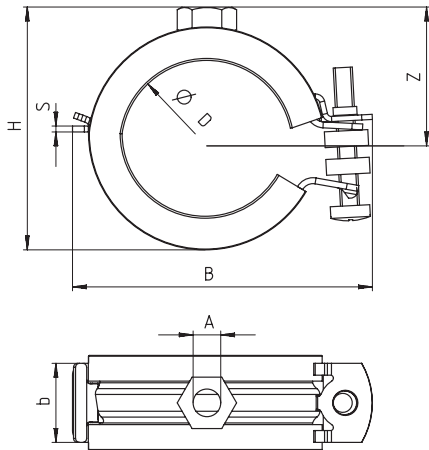
- The quick-release fastener allows a fast and time-saving installation.
- The spacing sleeves on the locking screw stops over tightening of the pipes.
- The tight fit of the sound insulation insert prevents it from falling out when inserting the pipe.
- The latch fastening guarantees pipe installation without the clamp springing open.
- The compact construction of the hinged pipe clamp enables a simple post-installation insulation.
- The screw's design stops it falling out during the installation.

PROPERTIES

- **Material:** steel DD11 (material no. 1.0332) acc. to DIN EN 10111
- **Zinc plating:** electro zinc-plated, 5 - 9 µm
- **Connecting nut:** resistance welded, M8, SW 13
- **Locking screw:** flat head screw with combination recessed head
- **Material sound insulation insert:** NR/SBR/EPDM; chlorine-free; silicone-free
- **Sound insulation:** for DIN 4109
- **Temperature range:** -40 °C to +110 °C
- **Hardness:** 60 ± 5° Shore A
- **Fire behaviour:** DIN 4102: Class B2



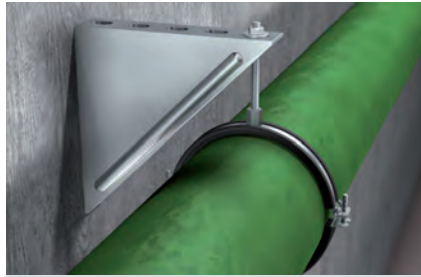
TECHNICAL DATA



Item	Art.-No.	Thread	Size	Clamping range	Width B	Height H	Width x thickness clamp band	Height Z	Locking screw	Max. recom. static load (centr. tension) N _{recom.} [kN]	Sales unit [pcs]
		A	[inch]	D [mm]	B [mm]	H [mm]	b x s [mm]	Z [mm]			
FKS Plus 15 - 19	079470	M 8	3/8"	15 - 19	52	40	20 x 1.25	24	M 5	0.65	100
FKS Plus 20 - 24	079471	M 8	1/2"	20 - 24	58	45	20 x 1.25	26	M 5	0.65	100
FKS Plus 25 - 30	079472	M 8	3/4"	25 - 30	63	49	20 x 1.25	28	M 5	0.65	100
FKS Plus 32 - 37	079473	M 8	1"	32 - 37	72	57	20 x 1.25	32	M 5	0.65	100
FKS Plus 40 - 44	079474	M 8	1 1/4"	40 - 44	79	66	20 x 1,5	37	M 5	0.90	50
FKS Plus 45 - 50	079475	M 8	1 1/2"	45 - 50	88	76	20 x 1,5	42	M 5	0.90	50
FKS Plus 50 - 55	079476	M 8	–	50 - 55	94	82	20 x 1,5	45	M 5	0.90	50
FKS Plus 56 - 63	079477	M 8	2"	56 - 63	99	85	20 x 1,5	46	M 5	0.90	50

The two-screw pipe clamp with rapid-locking mechanism

2a
Pipe clamps



Suspended pipe under angle bracket



Pipe elongation with sliding element and upright pipe

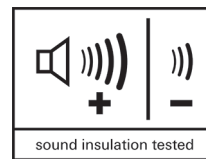
APPLICATIONS

- For simple and easy fixing of pipes using threaded rods or stud screws

ADVANTAGES/BENEFITS

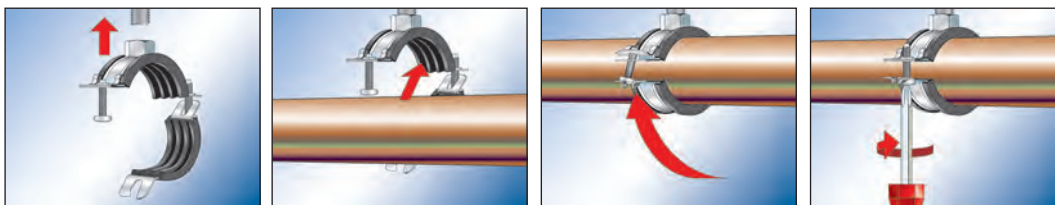
- The rapid-locking mechanism allows for fast and time-saving installation.
- The safety latch fastening guarantees pipe installation without the clamp springing open.
- The tight fit of the sound insulation insert prevents it from falling out when aligning the pipe.
- The combination connecting nut with M8/M10 thread enables optimised mounting choices.
- The two screws allow an easy adjustment to suit the outer pipe diameter.
- The screw's safety feature ensures trouble-free installation.

CERTIFICATES

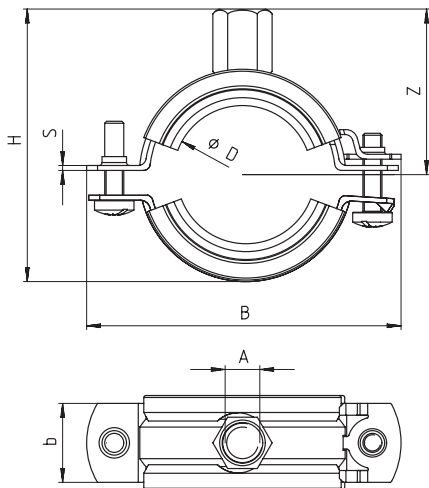


PROPERTIES

- **Material:** steel DC01 (material no. 1.0330) acc. to DIN EN 10130
- **Zinc plating:** electro zinc-plated, 5 - 9 µm
- **Connecting nut:** resistance welded, M8 / M10, SW 13
- **Locking screw:** flat head screw with combination recessed head
- **Material sound insulation insert:** EPDM; chlorine-free; silicone-free
- **Sound insulation:** for DIN 4109
- **Temperature range:** -40 °C to +100 °C
- **Hardness:** 55 ± 5° Shore A
- **Fire behaviour:** DIN 4102: Class B2



TECHNICAL DATA



Item	Art.-No.	Thread	Size	Clamping range	Width B	Height H	Width x thickness clamp band	Height Z	Locking screw	Max. recom. static load (centr. tension) N _{recom.} [kN]	Sales unit [pcs]
		A	[inch]	D [mm]	B [mm]	H [mm]	b x s [mm]	Z [mm]			
FRS Plus 12 - 15	079440	M 8 / M 10	1/4"	12 - 15	59	41	20 x 1,25	28	M 5	0.80	100
FRS Plus 15 - 19	079441	M 8 / M 10	3/8"	15 - 19	63	45	20 x 1,25	30	M 5	0.80	100
FRS Plus 20 - 24	079442	M 8 / M 10	1/2"	20 - 24	68	50	20 x 1,25	32	M 5	0.80	100
FRS Plus 25 - 30	079443	M 8 / M 10	3/4"	25 - 30	74	56	20 x 1,25	35	M 5	0.80	100
FRS Plus 32 - 37	079444	M 8 / M 10	1"	32 - 37	81	63	20 x 1,25	39	M 5	0.80	100
FRS Plus 40 - 45	079445	M 8 / M 10	1 1/4"	40 - 45	90	71	20 x 1,5	43	M 5	1.00	50
FRS Plus 48 - 54	079446	M 8 / M 10	1 1/2"	48 - 54	98	80	20 x 1,5	48	M 5	1.00	50
FRS Plus 55 - 61	079447	M 8 / M 10	2"	55 - 61	100	87	20 x 1,5	51	M 5	1.00	50
FRS Plus 63 - 67	079449	M 8 / M 10	–	63 - 67	114	93	20 x 1,5	54	M 5	1.00	25
FRS Plus 68 - 73	079450	M 8 / M 10	–	68 - 73	117	100	20 x 2,0	58	M 6	1.80	25
FRS Plus 72 - 80	079451	M 8 / M 10	2 1/2"	72 - 80	125	107	20 x 2,0	61	M 6	1.80	25
FRS Plus 80 - 86	079452	M 8 / M 10	–	80 - 86	132	113	20 x 2,0	64	M 6	1.80	25
FRS Plus 87 - 92	079453	M 8 / M 10	3"	87 - 92	139	119	20 x 2,0	67	M 6	1.80	25
FRS Plus 95 - 103	079454	M 8 / M 10	–	95 - 103	151	130	20 x 2,0	73	M 6	1.80	25
FRS Plus 108 - 116	079455	M 8 / M 10	4"	108 - 116	163	143	20 x 2,0	79	M 6	1.80	20

The light two-screw pipe clamp with rapid-locking mechanism and combination connecting nut

2a
Pipe clamps



Cantilever construction with channel



Vertical installation

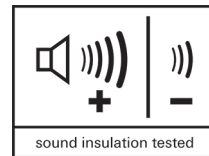
APPLICATIONS

- For simple and easy fixing for pipes using threaded rods or stud screws

ADVANTAGE/BENEFITS

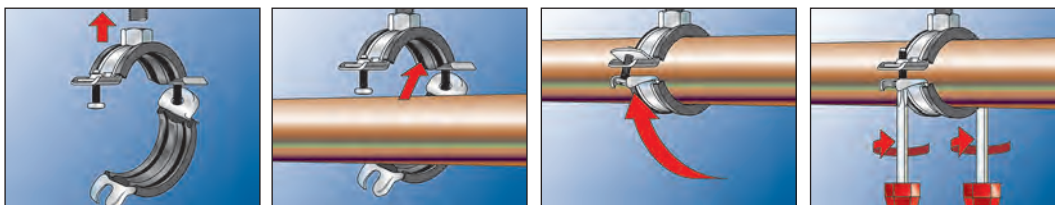
- The fire inspection report and the sound insulation report guarantee objectively tested functional safety.
- The unique rapid-locking mechanism with crimped edges allows a secure and time-saving installation.
- The clamp band with crimped edges gives a tight fit of the sound insulation insert and prevents it from slipping out when aligning the pipe.
- The two screws allow a perfect adaptation of the pipe clamp to suit every outer pipe diameter.
- The connecting nut with combination thread M8/M10 enables an optimised warehousing.
- The screw's loss protection guarantees an easy installation.

CERTIFICATES

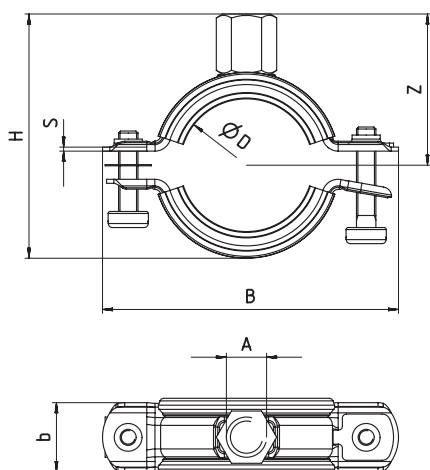


PROPERTIES

- Material:** steel DD11 (material no. 1.0332) acc. to DIN EN 10111
- Zinc plating:** electro zinc-plated, min. 5 µm acc. DIN EN ISO 4042
- Connecting nut:** resistance welded, M8 / M10, SW 13
- Locking screw:** flat head screw with combination recessed head
- Material sound insulation insert:** SBR/EPDM; chlorine-free; silicone-free
- Sound insulation:** for DIN 4109
- Temperature range:** -40 °C to +100 °C
- Hardness:** 55 ± 5° Shore A
- Fire behaviour:** DIN 4102: Class B2



TECHNICAL DATA



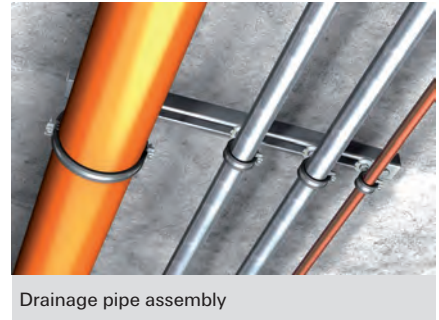
Item	Art.-No.	Fire test report	Thread	Size	Clamping range	Width B	Height H	Width x thickness clamp band	Height Z	Locking screw	Max. recom. static load (centr. tension) N _{recom.} [kN]	Sales unit [pcs]
			A	[inch]	D [mm]	B [mm]	H [mm]	b x s [mm]	Z [mm]			
FRS-L 8 - 11 Universal	539443	X	M 8 / M 10	–	8 - 11	47	35	18 x 1,0	25	M 5	0.70	25
FRS-L 12 - 15 Universal	539444	X	M 8 / M 10	1/4"	12 - 15	52	39	18 x 1,0	27	M 5	0.70	25
FRS-L 16 - 19 Universal	539445	X	M 8 / M 10	3/8"	16 - 19	56	43	18 x 1,0	29	M 5	0.70	25
FRS-L 20 - 24 Universal	539446	X	M 8 / M 10	1/2"	20 - 24	61	48	18 x 1,0	31	M 5	0.70	25
FRS-L 25 - 30 Universal	539447	X	M 8 / M 10	3/4"	25 - 30	67	53	18 x 1,0	34	M 5	0.70	25
FRS-L 31 - 37 Universal	539448	X	M 8 / M 10	1"	31 - 37	74	61	18 x 1,0	38	M 5	0.70	25
FRS-L 38 - 45 Universal	539449	X	M 8 / M 10	1 1/4"	38 - 45	83	69	18 x 1,2	42	M 5	1.00	25
FRS-L 46 - 52 Universal	539450	X	M 8 / M 10	1 1/2"	46 - 52	90	76	18 x 1,2	45	M 5	1.00	25
FRS-L 53 - 59 Universal	539451	X	M 8 / M 10	–	53 - 59	97	83	18 x 1,2	49	M 5	1.00	25
FRS-L 60 - 66 Universal	539452	X	M 8 / M 10	2"	60 - 66	104	90	18 x 1,2	52	M 5	1.00	10
FRS-L 67 - 75 Universal	539453	X	M 8 / M 10	–	67 - 75	120	100	20 x 1,8	57	M 6	1.30	10
FRS-L 76 - 84 Universal	539454	X	M 8 / M 10	2 1/2"	76 - 84	130	109	20 x 1,8	62	M 6	1.30	10
FRS-L 85 - 93 Universal	539455	X	M 8 / M 10	3"	85 - 93	139	118	20 x 1,8	66	M 6	1.30	10
FRS-L 94 - 100 Universal	539456	X	M 8 / M 10	–	94 - 100	146	125	20 x 1,8	70	M 6	1.30	10
FRS-L 101 - 110 Universal	539457	X	M 8 / M 10	–	101 - 110	156	135	20 x 1,8	75	M 6	1.30	10
FRS-L 111 - 119 Universal	539459	X	M 8 / M 10	4"	111 - 119	165	144	20 x 1,8	79	M 6	1.30	10
FRS-L 120 - 129 Universal	544905	X	M 8 / M 10	–	120 - 129	176	156	25 x 2,0	86	M 6	1.50	5
FRS-L 130 - 137 Universal	544906	X	M 8 / M 10	–	130 - 137	184	164	25 x 2,0	90	M 6	1.50	5
FRS-L 138 - 145 Universal	544907	X	M 8 / M 10	5"	138 - 145	192	172	25 x 2,0	94	M 6	1.50	5
FRS-L 146 - 155 Universal	544908	X	M 8 / M 10	–	146 - 155	202	182	25 x 2,0	99	M 6	1.50	5
FRS-L 156 - 163 Universal	544909	X	M 8 / M 10	–	156 - 163	211	190	25 x 2,0	103	M 6	1.50	5
FRS-L 164 - 172 Universal	544910	X	M 8 / M 10	6"	164 - 172	219	199	25 x 2,0	106	M 6	1.50	5

The two-screw pipe clamp with rapid-locking mechanism and triple connecting nut

2a
Pipe clamps



Height adjustable pipe installation



Drainage pipe assembly

APPLICATIONS

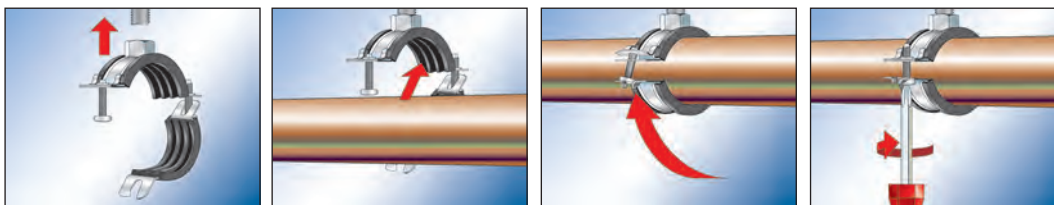
- For simple and easy fixing of pipelines with threaded rods or hanger bolts

ADVANTAGES/BENEFITS

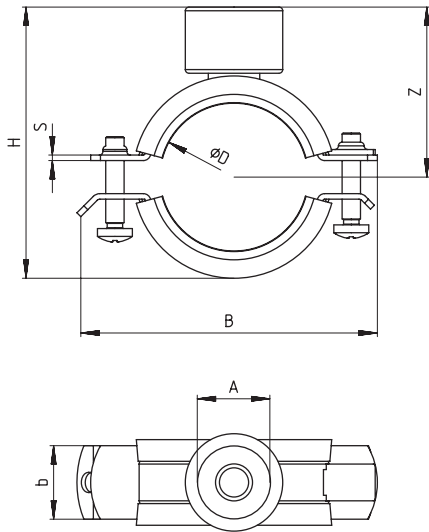
- The connecting nut with combination thread M8 / M10 / 1/2" allows for optimised mounting positioning.
- The rapid-locking mechanism allows for fast and time-saving installation.
- The tight fit of the sound insulation insert prevents it from falling out when aligning the pipe.
- The two screws allow for ideal adaptation to suit the outer pipe diameter.

PROPERTIES

- **Material:** steel DD11 (material no. 1.0332) acc. to DIN EN 10111
- **Zinc plating:** electro zinc-plated, min. 5 µm
- **Connecting nut:** resistance welded, M8 / M10 / 1/2"
- **Locking screw:** flat head screw with combination recessed head
- **Material sound insulation insert:** SBR/EPDM; chlorine-free; silicone-free
- **Sound insulation:** for DIN 4109
- **Temperature range:** -50 °C to +110 °C
- **Hardness:** 45 ± 5° Shore A
- **Fire behaviour:** DIN 4102: Class B2



TECHNICAL DATA



2a

Pipe clamps

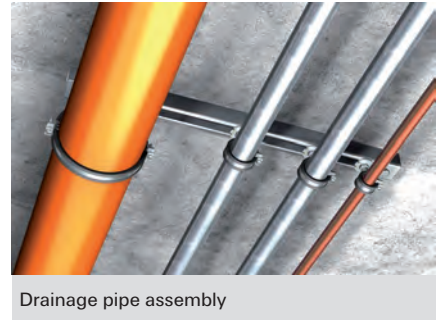
Item	Art.-No.	Thread	Size	Clamping range	Width B	Height H	Width x thickness clamp band	Height Z	Locking screw	Max. recom. static load (centr. tension) $N_{recom.}$ [kN]	Sales unit [pcs]
		A	[inch]	D [mm]	B [mm]	H [mm]	b x s [mm]	Z [mm]			
FRS Triple 15 - 19	500698	M 8 / M 10 / 1/2"	3/8"	15 - 19	61	53	20 x 1,5	36	M 5	1.00	100
FRS Triple 21 - 23	500699	M 8 / M 10 / 1/2"	1/2"	21 - 23	65	57	20 x 1,5	38	M 5	1.00	100
FRS Triple 26 - 28	500700	M 8 / M 10 / 1/2"	3/4"	26 - 28	70	62	20 x 1,5	40	M 5	1.00	100
FRS Triple 32 - 35	500701	M 8 / M 10 / 1/2"	1"	32 - 35	77	69	20 x 1,5	44	M 5	1.00	100
FRS Triple 40 - 43	500702	M 8 / M 10 / 1/2"	1 1/4"	40 - 43	85	77	20 x 1,5	48	M 5	1.00	50
FRS Triple 48 - 56	500703	M 8 / M 10 / 1/2"	1 1/2"	48 - 56	98	90	20 x 1,5	54	M 5	1.00	50
FRS Triple 57 - 62	500704	M 8 / M 10 / 1/2"	2"	57 - 63	104	96	20 x 1,5	57	M 5	1.00	50
FRS Triple 63 - 70	500705	M 8 / M 10 / 1/2"	–	63 - 70	112	104	20 x 1,5	61	M 5	1.00	25
FRS Triple 74 - 80	500706	M 8 / M 10 / 1/2"	2 1/2"	74 - 80	122	114	20 x 1,5	66	M 5	1.00	25
FRS Triple 83 - 91	500707	M 8 / M 10 / 1/2"	3"	83 - 91	133	125	20 x 1,5	72	M 5	1.00	25
FRS Triple 100 - 105	500708	M 8 / M 10 / 1/2"	–	100 - 105	155	139	23 x 2,0	79	M 6	1.50	10
FRS Triple 108 - 114	500709	M 8 / M 10 / 1/2"	4"	108 - 114	164	148	23 x 2,0	83	M 6	1.50	10
FRS Triple 115 - 125	500710	M 8 / M 10 / 1/2"	–	115 - 125	175	159	23 x 2,0	89	M 6	1.50	10
FRS Triple 127 - 135	500711	M 8 / M 10 / 1/2"	–	127 - 135	185	169	23 x 2,0	94	M 6	1.50	10
FRS Triple 135 - 140	500712	M 8 / M 10 / 1/2"	5"	135 - 140	190	174	23 x 2,0	96	M 6	1.50	10
FRS Triple 159 - 169	500713	M 8 / M 10 / 1/2"	6"	159 - 169	219	203	23 x 2,0	111	M 6	1.50	10

The two-screw pipe clamp with combination connecting thread

2a
Pipe clamps



Height adjustable pipe installation



Drainage pipe assembly

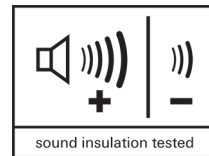
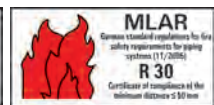
APPLICATIONS

- Secure fixing for pipes with threaded rods or stud screws (also when there are fire protection requirements)

ADVANTAGES/BENEFITS

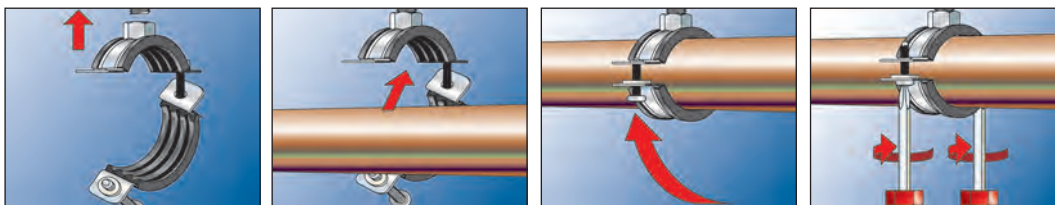
- The fire test report guarantees independently tested functional safety.
- The two screws allow an easy adjustment to suit the outer pipe diameter.
- The combination connecting nut with thread M8/M10 enables optimised mounting choices.
- The sound insulation insert offers noise protection and prevents contact corrosion.
- The screw's safety feature ensures trouble-free installation.

CERTIFICATES

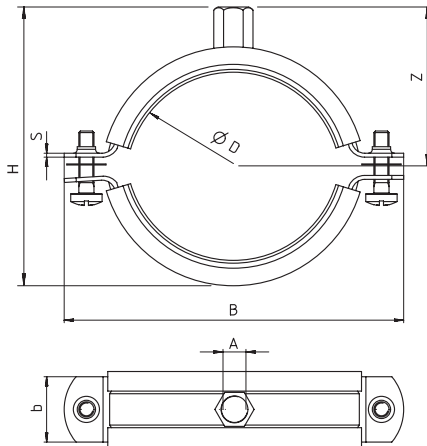


PROPERTIES

- **Material:** steel DC01 (material no. 1.0330) acc. to DIN EN 10130
- **Zinc plating:** electro zinc-plated, 5 - 9 µm
- **Connecting nut:** resistance welded, M8 / M10, SW 13
- **Locking screw:** flat head screw with combination recessed head
- **Material sound insulation insert:** EPDM; chlorine-free; silicone-free
- **Sound insulation:** for DIN 4109
- **Temperature range:** -40 °C to +100 °C
- **Hardness:** 55 ± 5° Shore A
- **Fire behaviour:** DIN 4102: Class B2



TECHNICAL DATA



2a
Pipe clamps

Item	Art.-No.	Fire test report	Thread	Size	Clamping range	Width B	Height H	Width x thickness clamp band	Height Z	Locking screw	Max. recom. static load (centr. tension) N _{recom.} [kN]	Sales unit [pcs]
			A	[inch]	D [mm]	B [mm]	H [mm]	b x s [mm]	Z [mm]			
FRS 12 - 15 M8/M10	510969	X	M 8 / M 10	1/4"	12 - 15	55	39	20 x 1.25	31	M 6	1.00	100
FRS 15 - 19 M8/M10	042535	X	M 8 / M 10	3/8"	15 - 19	59	43	20 x 1.25	29	M 6	1.00	100
FRS 20 - 24 M8/M10	042536	X	M 8 / M 10	1/2"	20 - 24	65	48	20 x 1.25	32	M 6	1.00	100
FRS 25 - 30 M8/M10	042537	X	M 8 / M 10	3/4"	25 - 30	72	54	20 x 1.25	35	M 6	1.00	100
FRS 32 - 37 M8/M10	042538	X	M 8 / M 10	1"	32 - 37	77	61	20 x 1.25	38	M 6	1.00	100
FRS 40 - 45 M8/M10	042554	X	M 8 / M 10	1 1/4"	40 - 45	89	69	20 x 1.25	42	M 6	1.00	50
FRS 48 - 54 M8/M10	510970	X	M 8 / M 10	1 1/2"	48 - 54	99	78	20 x 1.25	46	M 6	1.00	50
FRS 55 - 61 M8/M10	042555	X	M 8 / M 10	2"	55 - 61	105	85	20 x 1.25	50	M 6	1.00	50
FRS 63 - 67 M8/M10	091488	X	M 8 / M 10	–	63 - 67	111	91	20 x 1.25	53	M 6	1.00	50
FRS 72 - 80 M8/M10	091489	X	M 8 / M 10	2 1/2"	72 - 80	125	104	20 x 2.0	60	M 6	1.50	25
FRS 87 - 92 M8/M10	091505	X	M 8 / M 10	3"	87 - 92	137	116	20 x 2.0	66	M 6	1.50	25
FRS 95 - 103 M8/M10	545649	X	M 8 / M 10	–	95 - 103	149	130	25 x 2,0	73	M 6	2.00	25
FRS 108 - 116 M8/M10	091506	X	M 8 / M 10	4"	108 - 116	164	140	25 x 2,0	78	M 6	2.0	20
FRS 121 - 128 M8/M10	079456	X	M 8 / M 10	–	121 - 128	176	152	25 x 2.5	84	M 6	2.50	10
FRS 133 - 141 M8/M10	079457	X	M 8 / M 10	5"	133 - 141	187	165	25 x 2.5	90	M 6	2.50	10
FRS 159 - 165 M8/M10	079458	X	M 8 / M 10	–	159 - 165	211	198	25 x 2.5	102	M 6	2.50	8
FRS 165 - 168 M8/M10	079459	X	M 8 / M 10	6"	165 - 168	225	192	25 x 2.5	104	M 6	2.50	8

The two-screw pipe clamp with a sound insulation insert with resistance to high temperatures

2a

Pipe clamps



Silicone pipe clamp on sliding element

APPLICATIONS

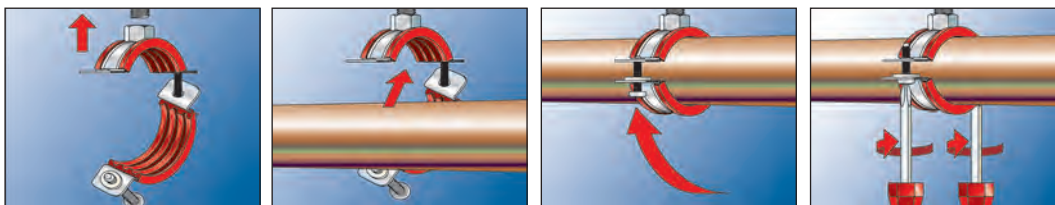
- Fixing of high-temperature pipelines with threaded rods or stud screws (e.g. steam pipes)

ADVANTAGES/BENEFITS

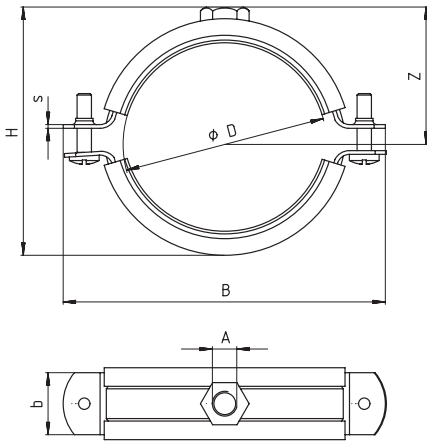
- The special silicone sound insulation insert allows a use with average temperatures of up to +220 °C.
- The two screws enable an easy adjustment to suit the outer pipe diameter.
- The screw's safety feature ensures trouble-free installation.

PROPERTIES

- **Material:** steel DD11 (material no. 1.0332) acc. to DIN EN 10111
- **Zinc plating:** electro zinc-plated, 5 - 9 µm
- **Connecting nut:** (up to FRSH 59 - 63) resistance welded, M8 and M8 / M10 SW 13, M10 SW 17
- **Locking screw:** flat head screw with combination recessed head
- **Material sound insulation insert:** silicone
- **Sound insulation:** for DIN 4109
- **Temperature range:** -40 °C to +220 °C
- **Hardness:** 60 ± 5° Shore A
- **Fire behaviour:** DIN 4102: Class B2



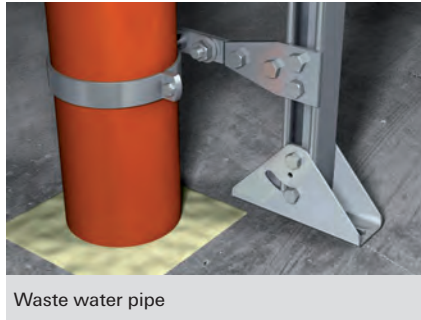
TECHNICAL DATA



Item	Art.-No.	Thread	Size	Clamping range	Width B	Height H	Width x thickness clamp band	Height Z	Locking screw	Max. recom. static load (centr. tension) N _{recom.} [kN]	Sales unit [pcs]
		A	[inch]	D [mm]	B [mm]	H [mm]	b x s [mm]	Z [mm]			
FRSH 15 - 19	063490	M 8	3/8"	15 - 19	62	41	20 x 1.25	24	M 5	1.00	100
FRSH 20 - 24	063492	M 8	1/2"	20 - 24	68	46	20 x 1.25	26	M 5	1.00	100
FRSH 25 - 30	063494	M 8	3/4"	25 - 30	75	52	20 x 1.25	29	M 5	1.00	100
FRSH 32 - 37	063495	M 8	1"	32 - 37	80	59	20 x 1.25	33	M 5	1.00	100
FRSH 40 - 45	063498	M 8	1 1/4"	40 - 45	90	67	20 x 1.25	37	M 5	1.00	50
FRSH 48 - 53	063499	M 8	1 1/2"	48 - 53	97	75	20 x 1.25	41	M 5	1.00	50
FRSH 54 - 59	063500	M 8	–	54 - 59	104	81	20 x 1.25	44	M 5	1.00	50
FRSH 60 - 64	063502	M 8	2"	60 - 64	110	86	20 x 1.25	46	M 5	1.00	50
FRSH 68 - 73	063504	M 10	–	68 - 73	122	95	25 x 1,5	51	M 6	1.30	25
FRSH 72 - 78	063505	M 10	2 1/2"	72 - 78	130	100	25 x 1,5	55	M 6	1.30	25
FRSH 80 - 86	063511	M 10	–	80 - 86	130	108	25 x 1,5	58	M 6	1.30	25
FRSH 87 - 92	063513	M 10	3"	87 - 92	141	114	25 x 1,5	61	M 6	1.30	25
FRSH 95 - 103	063518	M 10	–	95 - 103	156	125	25 x 1,5	67	M 6	1.30	25
FRSH 102 - 116	063520	M 10	4"	102 - 116	172	140	25 x 2,0	74	M 6	2.00	20
FRSH 133 - 141	063537	M 8 / M 10	5"	133 - 141	198	174	25 x 2,5	95	M 8	2.00	10
FRSH 159 - 168	091507	M 8 / M 10	–	159 - 168	226	201	25 x 2,5	109	M 8	2.00	8

The two-screw pipe clamp with rapid-locking mechanism and triple connecting nut

2a
Pipe clamps



APPLICATIONS

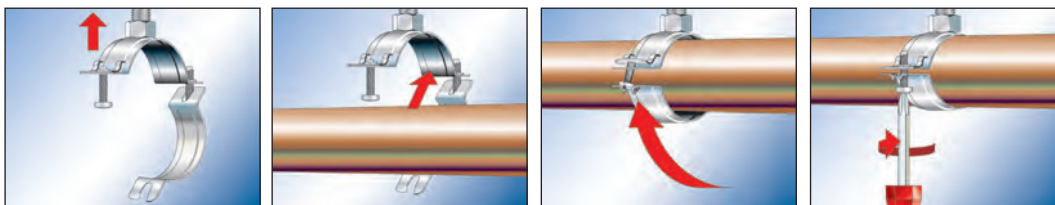
- For simple and easy fixing of pipelines with threaded rods or hanger bolts

ADVANTAGES/BENEFITS

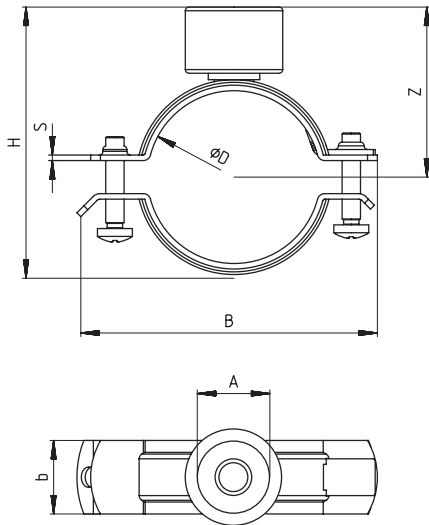
- The connecting nut with combination thread M8 / M10 / 1/2" allows for optimised mounting positioning.
- The rapid-locking mechanism allows for fast and time-saving installation.
- The two screws allow for ideal adaptation to suit the outer pipe diameter.

PROPERTIES

- **Material:** steel DD11 (material no. 1.0332) acc. to DIN EN 10111
- **Zinc plating:** electro zinc-plated, min. 5 µm
- **Connecting nut:** resistance welded, M8 / M10 / 1/2"
- **Locking screw:** flat head screw with combination recessed head



TECHNICAL DATA



2a

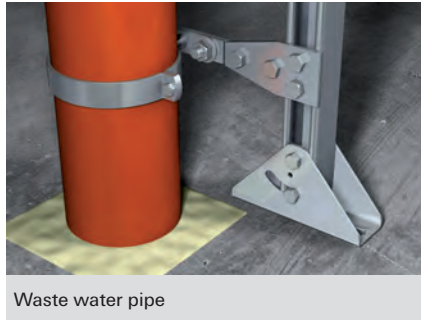
Pipe clamps

Item	Art.-No.	Thread	Size	Clamping range	Width B	Height H	Width x thickness clamp band	Height Z	Locking screw	Max. recom. static load (centr. tension) N _{recom.} [kN]	Sales unit [pcs]
		A	[inch]	D [mm]	B [mm]	H [mm]	b x s [mm]	Z [mm]			
FRSN Triple 15 - 19	500714	M 8 / M 10 / 1/2"	3/8"	15 - 19	54	44	20 x 1,5	32	M 5	1.00	100
FRSN Triple 21 - 23	500715	M 8 / M 10 / 1/2"	1/2"	21 - 23	58	48	20 x 1,5	34	M 5	1.00	100
FRSN Triple 26 - 28	500716	M 8 / M 10 / 1/2"	3/4"	26 - 28	63	53	20 x 1,5	36	M 5	1.00	100
FRSN Triple 32 - 35	500717	M 8 / M 10 / 1/2"	1"	32 - 35	70	60	20 x 1,5	40	M 5	1.00	100
FRSN Triple 40 - 43	500718	M 8 / M 10 / 1/2"	1 1/4"	40 - 43	78	68	20 x 1,5	44	M 5	1.00	50
FRSN Triple 48 - 56	500719	M 8 / M 10 / 1/2"	1 1/2"	48 - 56	91	81	20 x 1,5	50	M 5	1.00	50
FRSN Triple 57 - 62	500720	M 8 / M 10 / 1/2"	2"	57 - 63	97	87	20 x 1,5	53	M 5	1.00	50
FRSN Triple 63 - 70	500721	M 8 / M 10 / 1/2"	—	63 - 70	105	95	20 x 1,5	57	M 5	1.00	50
FRSN Triple 74 - 80	500722	M 8 / M 10 / 1/2"	2 1/2"	74 - 80	115	105	20 x 1,5	62	M 5	1.00	25
FRSN Triple 83 - 91	500723	M 8 / M 10 / 1/2"	3"	83 - 91	126	116	20 x 1,5	68	M 5	1.00	25
FRSN Triple 100 - 105	500724	M 8 / M 10 / 1/2"	—	100 - 105	148	130	23 x 2,0	74	M 6	1.50	10
FRSN Triple 108 - 114	500725	M 8 / M 10 / 1/2"	4"	108 - 114	157	139	23 x 2,0	78	M 6	1.50	10

The two-screw pipe clamp without sound insulation insert

2a

Pipe clamps



APPLICATIONS

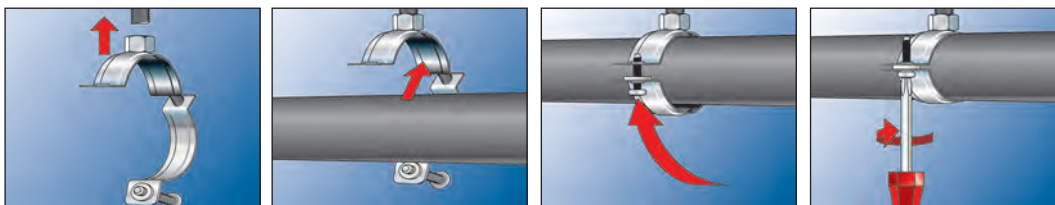
- Fixing of metal or plastic pipes without sound insulation requirements with threaded rods or stud screws (e.g. in industrial constructions)

ADVANTAGES/BENEFITS

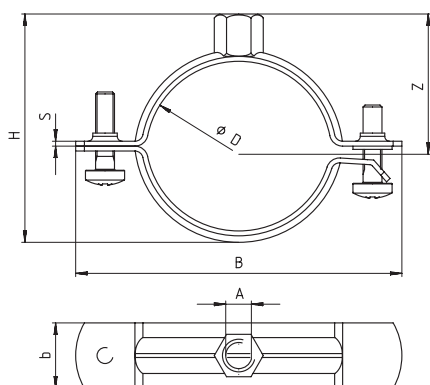
- The FRSN without the sound insulation insert is ideal for use in industrial applications and plastic pipes.
- The combination connecting nut with thread M8/M10 allows for optimised mounting choices.
- The two screws enable ideal adaptation to suit the outer pipe diameter.
- The screw's safety feature ensures trouble-free installation.

PROPERTIES

- **Material:** steel DD11 (material no. 1.0332) acc. to DIN EN 10111
- **Zinc plating:** electro zinc-plated, 5 - 9 µm
- **Connecting nut:** resistance welded M8 / M10, SW 13, M10 / M12, SW 17
- **Locking screw:** flat head screw with combination recessed head



TECHNICAL DATA



Item	Art.-No.	Thread	Size	Clamping range	Width B	Height H	Width x thickness clamp band	Height Z	Locking screw	Max. recom. static load (centr. tension) N _{recom.} [kN]	Sales unit [pcs]
		A	[inch]	D [mm]	B [mm]	H [mm]	b x s [mm]	Z [mm]			
FRSN 15 - 19 M8/M10	049459	M 8 / M 10	3/8"	15 - 19	56	37	20 x 1,5	27	M 6	1.50	100
FRSN 21 - 23 M8/M10	049789	M 8 / M 10	1/2"	21 - 23	60	41	20 x 1,5	28	M 6	1.50	100
FRSN 25 - 28 M8/M10	049790	M 8 / M 10	3/4"	25 - 28	67	46	20 x 1,5	30	M 6	1.50	100
FRSN 32 - 36 M8/M10	049793	M 8 / M 10	1"	32 - 36	74	54	20 x 1,5	34	M 6	1.50	100
FRSN 38 - 43 M8/M10	049794	M 8 / M 10	1 1/4"	38 - 43	78	61	20 x 1,5	38	M 6	1.50	50
FRSN 44 - 49 M8/M10	049902	M 8 / M 10	1 1/2"	44 - 49	88	67	20 x 1,5	41	M 6	1.50	50
FRSN 50 - 56 M8/M10	049922	M 8 / M 10	—	50 - 56	92	74	20 x 1,5	43	M 6 x 16	1.50	50
FRSN 57 - 61 M8/M10	049944	M 8 / M 10	2"	57 - 61	98	79	20 x 1,5	47	M 6	1.50	50
FRSN 63 - 70 M8/M10	049945	M 8 / M 10	—	63 - 70	105	88	20 x 1,5	54	M 6	1.50	50
FRSN 70 - 77 M8/M10	049947	M 8 / M 10	2 1/2"	70 - 77	112	95	20 x 1,5	55	M 6	1.50	25
FRSN 80 - 83 M8/M10	049948	M 8 / M 10	—	80 - 83	116	101	20 x 1,5	58	M 6	1.50	25
FRSN 83 - 91 M8/M10	049979	M 8 / M 10	3"	83 - 91	128	111	20 x 2.0	63	M 6	2.50	25
FRSN 100 - 106 M8/M10	050006	M 8 / M 10	—	100 - 106	143	126	20 x 2.0	70	M 6	2.50	25
FRSN 108 - 114 M8/M10	050008	M 8 / M 10	4"	108 - 114	156	134	20 x 2.0	75	M 6	2.50	25
FRSN 118 - 122 M8/M10	500744	M 8 / M 10	—	118 - 122	160	142	20 x 2.0	78	M 6	2.50	25
FRSN 123 - 128 M8/M10	050009	M 8 / M 10	—	123 - 128	173	149	25 x 2.5	82	M 6	2.50	25
FRSN 131 - 136 M8/M10	050010	M 8 / M 10	—	131 - 136	176	157	25 x 2.5	86	M 6	2.50	25
FRSN 137 - 146 M8/M10	050023	M 8 / M 10	5"	137 - 146	180	167	25 x 2.5	91	M 6	2.50	25
FRSN 146 - 156 M8/M10	500746	M 8 / M 10	—	146 - 156	195	177	25 x 2.5	96	M 6	2.50	25
FRSN 159 - 165 M10/M12	500747	M 10 / M 12	—	159 - 165	203	191	25 x 2.5	106	M 6	2.50	25
FRSN 166 - 175 M10/M12	500748 1)	M 10 / M 12	—	166 - 175	211	201	25 x 2.5	110	M 8	2.50	20
FRSN 200 - 206 M10/M12	500751 1)	M 10 / M 12	—	200 - 206	248	232	25 x 2.5	126	M 8	2.50	10
FRSN 210 - 219 M10/M12	500752 1)	M 10 / M 12	8"	210 - 219	261	245	25 x 2.5	133	M 8	2.50	10

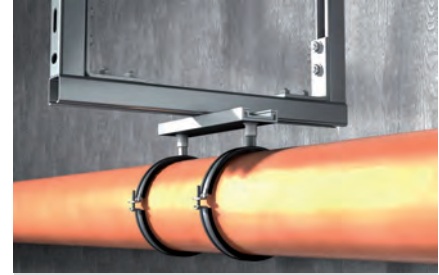
1) From diameter 166 mm the steel band is punched and delivered with separate locking screw and nut.

The large pipe clamp with sound insulation insert for medium to heavy loads

2a
Pipe clamps



Upright pipe on cantilever arm



Pipe elongation with sliding element and suspended pipe

APPLICATIONS

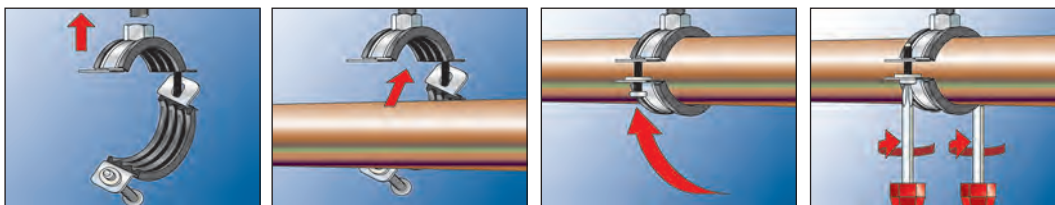
- Fixing of medium to heavy pipes with threaded rods (hanger bolts)

ADVANTAGES/BENEFITS

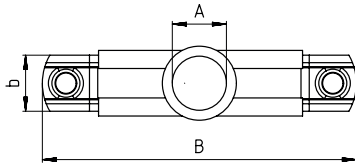
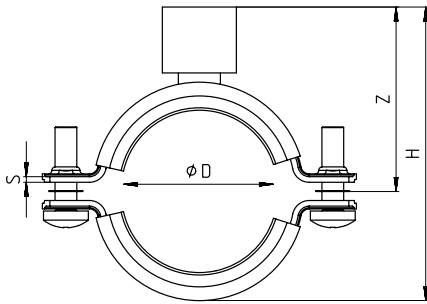
- The inch threaded connecting nut allows for a pipe fixing with increased bending stress.
- High tested loads ensures the secure functioning of the FRSM.
- The sound insulation insert offers noise protection and prevents contact corrosion.
- The two screws allow an easy adjustment to suit the outer pipe diameter.
- The screw's safety feature ensures trouble-free installation.

PROPERTIES

- **Material:** steel DD11 (material no. 1.0332) acc. to DIN EN 10111
- **Zinc plating:** electro zinc-plated, 5 - 9 µm
- **Connecting nut:** 1/2" resistance welded
- **Locking screw:** flat head screw with combination recessed head
- **Material sound insulation insert:** EPDM; chlorine-free; silicone-free
- **Temperature range:** -50 °C to +110 °C
- **Hardness:** 45 ± 5° Shore A
- **Fire behaviour:** DIN 4102: Class B2



TECHNICAL DATA

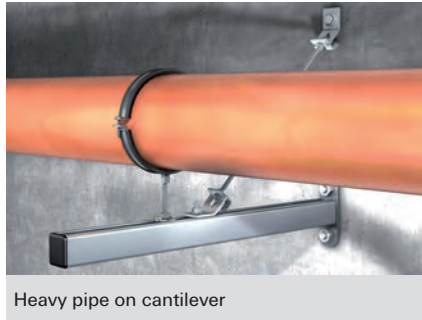


Item	Art.-No.	Thread	Size	Clamping range	Width B	Height H	Width x thickness clamp band	Height Z	Locking screw	Max. recom. static load (centr. tension) N _{recom.} [kN]	Sales unit [pcs]
		A	[inch]	D [mm]	B [mm]	H [mm]	b x s [mm]	Z [mm]			
FRSM 3/8"	535494	1/2"	3/8"	14 - 20	64.3	64	20 x 2.0	44.5	M 6	1.50	25
FRSM 1/2"	535497	1/2"	1/2"	21 - 26	70.6	70	20 x 2.0	47.5	M 6	1.50	25
FRSM 3/4"	535498	1/2"	3/4"	26 - 30	74.8	74	20 x 2.0	49.5	M 6	1.50	25
FRSM 1"	535499	1/2"	1"	31 - 38	81	80	20 x 2.0	52.5	M 6	1.50	25
FRSM 1 1/4"	535500	1/2"	1 1/4"	40 - 47	91.2	90	20 x 2.0	57.5	M 6	1.50	25
FRSM 1 1/2"	535501	1/2"	1 1/2"	48 - 54	100	98	20 x 2.0	61.5	M 6	1.50	25
FRSM 2"	535502	1/2"	2"	60 - 66	111.1	109	20 x 2.0	67	M 6	1.50	25
FRSM 2 1/2"	535503	1/2"	2 1/2"	73 - 80	131.4	123	25 x 2.5	74	M 8	3.15	10
FRSM 3"	535504	1/2"	3"	87 - 94	145.5	137	25 x 2.5	81	M 8	3.15	10
FRSM 110 mm	535505	1/2"	–	105 - 112	165.6	157	25 x 2.5	91	M 8	3.15	10
FRSM 4"	535506	1/2"	4"	112 - 118	171.7	163	25 x 2.5	94	M 8	3.15	10
FRSM 133 mm	535507	1/2"	–	132 - 137	190.8	182	25 x 2.5	103.5	M 8	3.15	10
FRSM 5"	535508	1/2"	5"	137 - 142	195.8	187	25 x 2.5	106	M 8	3.15	10
FRSM 160 mm	535509	1/2"	–	159 - 164	217.9	209	25 x 2.5	117	M 8	3.15	8
FRSM 6"	535511	1/2"	6"	164 - 169	222.9	214	25 x 2.5	119.5	M 8	3.15	8

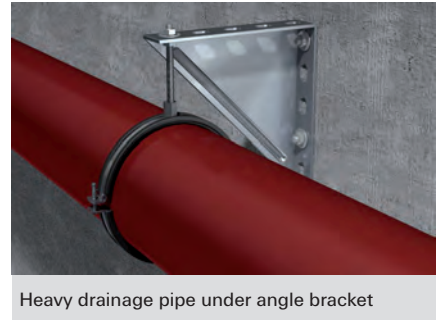
The large pipe clamp with sound insulation insert for medium to heavy loads

2a

Pipe clamps



Heavy pipe on cantilever



Heavy drainage pipe under angle bracket

APPLICATIONS

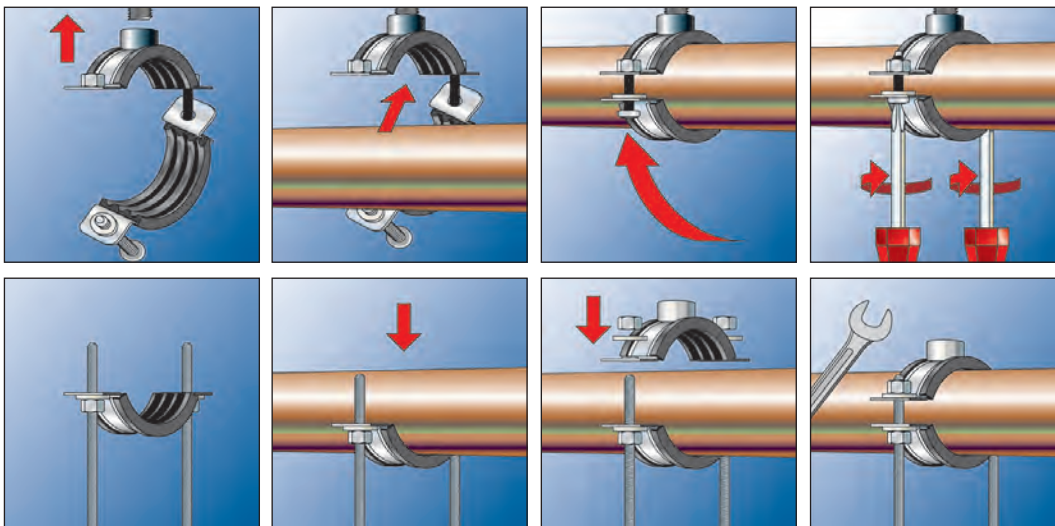
- Fixing of medium to heavy pipes with threaded rods (hanger bolts)

ADVANTAGES/BENEFITS

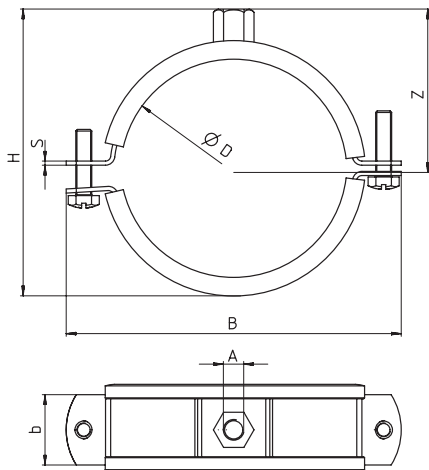
- High tested loads guarantee safe functioning of the FRSM.
- The combination connecting nut with thread M10/M12, M12/M16 or M16 allows for optimised mounting choices.
- From Ø 124 mm it is possible to install with 2 threaded rods, e.g. for the fixing of cast iron roof drainage pipes.
- The two screws allow for easy adjustment to suit the outer pipe diameter.
- The screw's safety features ensures trouble-free installation.

PROPERTIES

- **Material:** steel DD11 (material no. 1.0332) acc. to DIN EN 10111
- **Zinc plating:** electro zinc-plated, 5 - 9 µm
- **Connecting nut:** M10 / M12 = SW 17, M12 / M16 = SW 22, M16 = SW 24
- **Locking screw:** flat head screw with combination recessed head to 4", from 4" hexagon screw with nut
- **Material sound insulation insert:** EPDM; chlorine-free; silicone-free
- **Temperature range:** -50 °C to +110 °C
- **Hardness:** 45 ± 5° Shore A
- **Fire behaviour:** DIN 4102: Class B2



TECHNICAL DATA



2a

Pipe clamps

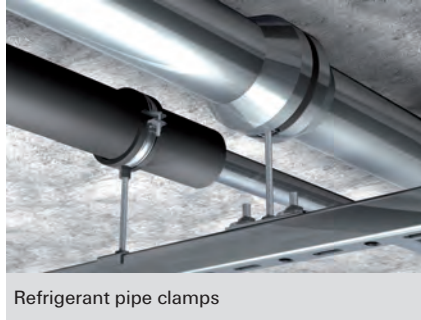
Item	Art.-No.	Thread	Size	Clamping range	Width B	Height H	Width x thickness clamp band	Height Z	Locking screw	Max. recom. static load (centr. tension) N _{recom.} [kN]	Sales unit [pcs]
		A	[inch]	D [mm]	B [mm]	H [mm]	b x s [mm]	Z [mm]			
FRSM 1/2" M10/M12	504589	M 10 / M 12	1/2"	19 - 23	76	57	25 x 2.5	39	M 6	2.50	50
FRSM 3/4" M10/M12	504590	M 10 / M 12	3/4"	24 - 29	80	63	25 x 2.5	42	M 6	2.50	50
FRSM 1" M10/M12	504591	M 10 / M 12	1"	33 - 36	89	70	25 x 2.5	45	M 6	2.50	50
FRSM 1 1/4" M10/M12	504592	M 10 / M 12	1 1/4"	40 - 45	98	79	25 x 2.5	50	M 6	2.50	20
FRSM 1 1/2" M10/M12	093700	M 10 / M 12	1 1/2"	47 - 52	105	86	25 x 2.5	53	M 6	2.50	20
FRSM 53 - 58 M10/M12	093701	M 10 / M 12	—	53 - 58	111	91	25 x 2.5	55	M 6	2.50	20
FRSM 2" M10/M12	093702	M 10 / M 12	2"	60 - 65	118	99	25 x 2.5	60	M 6	2.50	20
FRSM 2 1/2" M10/M12	093703	M 10 / M 12	2 1/2"	73 - 78	136	113	30 x 3,0	67	M 8	3.00	20
FRSM 79 - 85 M10/M12	504593	M 10 / M 12	—	79 - 85	144	120	30 x 3,0	70	M 8	3.00	20
FRSM 3" M10/M12	093704	M 10 / M 12	3"	88 - 93	152	129	30 x 3,0	75	M 8	3.00	20
FRSM 102 M10/M12	093705	M 10 / M 12	—	100 - 106	166	142	30 x 3,0	81	M 8	3.00	20
FRSM 4" M10/M12	093707	M 10 / M 12	4"	108 - 116	175	152	30 x 3,0	86	M 8	3.00	20
FRSM 124 - 129 M10/M12	093709 1)	M 10 / M 12	—	124 - 129	194	165	30 x 3,0	92	M 8	3.00	20
FRSM 131 - 137 M10/M12	093710 1)	M 10 / M 12	—	131 - 137	202	173	30 x 3,0	97	M 8	3.00	20
FRSM 138 - 145 M10/M12	093711 1)	M 10 / M 12	5"	138 - 145	210	180	30 x 3,0	100	M 8	3.00	20
FRSM 156 - 162 M10/M12	093712 1)	M 10 / M 12	—	156 - 162	227	198	30 x 3,0	109	M 8	3.00	20
FRSM 165 - 171 M10/M12	093713 1)	M 10 / M 12	6"	165 - 171	255	207	30 x 3,0	114	M 8	3.00	20
FRSM 188 - 194 M10/M12	093714 1)	M 10 / M 12	7"	188 - 194	278	230	30 x 3,0	125	M 8	3.00	10
FRSM 196 - 203 M10/M12	093715 1)	M 10 / M 12	—	196 - 203	287	239	30 x 3,0	130	M 8	3.00	10
FRSM 212 M12/M16	505453 1)	M 12 / M 16	—	205 - 214	289	264	40 x 4,0	147	M 12	5.00	10
FRSM 8" M12/M16	505454 1)	M 12 / M 16	8"	219 - 225	300	272	40 x 4,0	152	M 12	5.00	10
FRSM 250 M12/M16	505455 1)	M 12 / M 16	—	244 - 250	325	300	40 x 4,0	165	M 12	5.00	10
FRSM 10" M12/M16	505456 1)	M 12 / M 16	10"	267 - 273	348	323	40 x 4,0	177	M 12	5.00	10
FRSM 300 M12/M16	505457 1)	M 12 / M 16	—	297 - 304	379	354	40 x 4,0	192	M 12	5.00	10
FRSM 12" M12/M16	505458 1)	M 12 / M 16	12"	320 - 328	403	378	40 x 4,0	204	M 12	5.00	10
FRSM 348 - 356 M16	504594 1)	M 16	—	348 - 356	480	403	50 x 5,0	213	M 16	8.00	1
FRSM 364 - 372 M16	504595 1)	M 16	—	364 - 372	496	419	50 x 5,0	221	M 16	8.00	1
FRSM 400 - 409 M16	504596 1)	M 16	—	400 - 409	533	456	50 x 5,0	240	M 16	8.00	1
FRSM 454 - 462 M16	504597 1)	M 16	—	454 - 462	586	509	50 x 5,0	266	M 16	8.00	1
FRSM 500 - 508 M16	504598 1)	M 16	—	500 - 508	632	555	50 x 5,0	290	M 16	8.00	1

1) From diameter 124 mm the steel band is punched and delivered with separate locking screw and nut.

The two-screw refrigeration pipe clamp with integrated insulation

2a

Pipe clamps



Refrigerant pipe clamps

APPLICATIONS

- Installation of pipes in refrigeration and air-conditioning applications

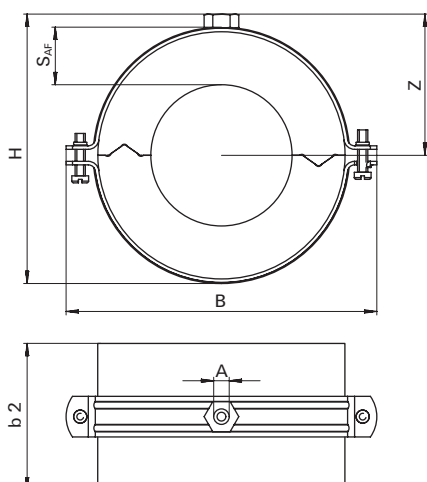
ADVANTAGES/BENEFITS

- The self-adhesive material ensures easy installation of the refrigeration pipe clamp.
- Age-resistant material ensures a long life of the FRS-K.
- The double-threaded connection nut allows for flexibility during the installation.
- The screw's safety feature ensures trouble-free installation.
- The integrated load distribution sheet guarantees the load transmission and allows higher loads.

PROPERTIES

- **Material:** polyurethan-foam, silicone-free
- **Diffusion resistance:** 7000 μ
- **Density:** 80 kg/m³
- **Compressive strength:** 0,67-0,75 mPa
- **Heat conductivity (at 0 °C):** 0,024-0,026 W/mK
- **Locking screw:** flat head screw with combination recessed head
- **Temperature range:** -45 °C to +105 °C
- **Fire behaviour:** DIN 4 102: Class B2

TECHNICAL DATA

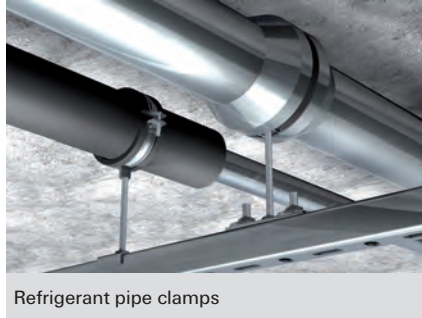


Item	Art.-No.	Size	Thread	Insulation thickness	Width B	Height H	Height Z	Locking screw	Length of insulation material	Max. recom. static load (centr. tension)	Sales unit
		[inch]	A	S _{AF} [mm]	B [mm]	H [mm]	Z [mm]		b2 [mm]	N _{recom.} [kN]	[pcs]
FRS K 12/13	506486	–	M 8 / M 10	13	77	59	33	M 6	50	0.10	1
FRS K 15/13	506487	1/4"	M 8 / M 10	13	85	64	37	M 6	50	0.11	1
FRS K 17-18/13	506488	3/8"	M 8 / M 10	13	86	64	37	M 6	50	0.12	1
FRS K 21-22/13	506489	1/2"	M 8 / M 10	13	90.5	69	40	M 6	50	0.13	1
FRS K 27-28/13	506490	3/4"	M 8 / M 10	13	98.5	78	46	M 6	50	0.15	1
FRS K 34-35/13	506491	1"	M 8 / M 10	13	105	83	49	M 6	50	0.17	1
FRS K 42/13	506492	1 1/4"	M 8 / M 10	13	115	96	53	M 6	50	0.36	1
FRS K 48-49/13	506493	1 1/2"	M 8 / M 10	13	118	102	56	M 6	50	0.39	1
FRS K 54/13	507699	–	M 8 / M 10	13	125	107	59	M 8	50	0.42	1
FRS K 60/13	506494	2"	M 8 / M 10	13	132	115	63	M 6	50	0.45	1
FRS K 12/19	506495	–	M 8 / M 10	19	90	71	41	M 6	50	0.14	1
FRS K 15/19	506496	1/4"	M 8 / M 10	19	90.5	74	42	M 6	50	0.15	1
FRS K 17-18/19	506497	3/8"	M 8 / M 10	19	99	77	44	M 6	50	0.15	1
FRS K 21-22/19	506498	1/2"	M 8 / M 10	19	99	77	44	M 6	50	0.16	1
FRS K 27-28/19	506499	3/4"	M 8 / M 10	19	106	90	50	M 6	50	0.18	1
FRS K 34-35/19	506500	1"	M 8 / M 10	19	115	97	53	M 6	50	0.20	1
FRS K 42/19	506501	1 1/4"	M 8 / M 10	19	125	109	59	M 6	50	0.42	1
FRS K 48-49/19	506502	1 1/2"	M 8 / M 10	19	132	116	62.5	M 6	50	0.45	1
FRS K 54/19	507700	–	M 8 / M 10	19	143	123	65.5	M 8	50	0.48	1
FRS K 60/19	506503	2"	M 8 / M 10	19	147	129	69	M 6	50	0.51	1
FRS K 64/19	506504	–	M 8 / M 10	19	149	134	71	M 6	50	0.53	1
FRS K 70/19	506505	–	M 8 / M 10	19	161	142	75	M 6	50	0.56	1
FRS K 76/19	506506	2 1/2"	M 8 / M 10	19	162.5	147	77	M 6	50	0.60	1
FRS K 89/19	506508	3"	M 8 / M 10	19	188	165	86.5	M 8	50	0.66	1
FRS K 102/19	506509	–	M 8 / M 10	19	199	180	94.5	M 8	100	1.69	1
FRS K 108/19	506510	–	M 8 / M 10	19	204	185	97	M 8	100	1.77	1
FRS K 114/19	506511	4"	M 8 / M 10	19	241	201	112	M 8	100	1.84	1
FRS K 133/19	507786	–	M 12 / M 16	19	270	221	122	M 12	100	2.07	1
FRS K 139/19	507787	5"	M 12 / M 16	19	270	227	125	M 12	100	2.14	1
FRS K 168/19	507788	6"	M 12 / M 16	19	281	256	139	M 12	100	2.49	1
FRS K 219/19	539477	8"	M 12 / M 16	19	346	290	156.6	M 12	100	2.94	1

The two-screw refrigeration pipe clamp made from closed PUR foam

2a

Pipe clamps



Refrigerant pipe clamps



Refrigerant pipe clamp on sliding element

APPLICATIONS

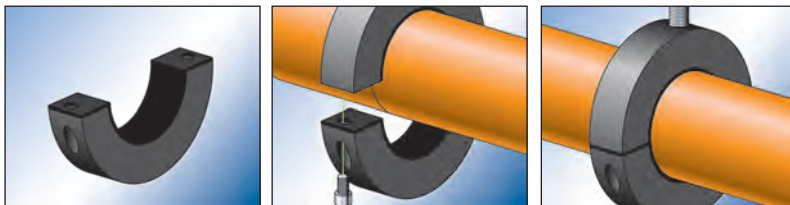
- Installation of pipes in refrigeration and air-conditioning applications with high loads

ADVANTAGES/BENEFITS

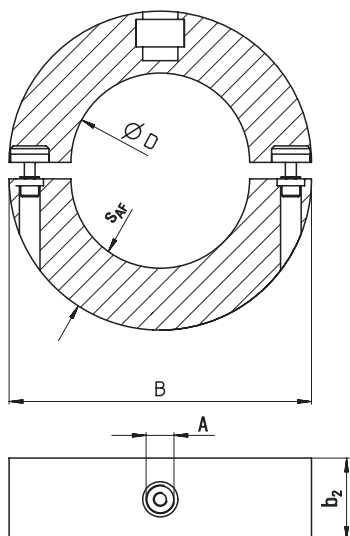
- The refrigeration pipe clamp KFT made from closed PUR foam can be used with all standard insulation materials.
- The glued rubber overlay makes the installation easier.
- The triple-threaded connection nut M8 / M10 / 1/2" allows for flexibility during the installation.
- Age-resistant material ensures the long-term functionality of the KFT.
- The two screws allow an easy adjustment to suit the outer pipe diameter.

PROPERTIES

- **Material:** closed-cell polyurethane foam, silicone-free
- **Diffusion resistance:** 1000 μ
- **Density:** 250 kg/m³
- **Compression strength:** 3,96 mPa at 23 °C
- **Heat conductivity (at 0 °C):** 0,049 W/(m·K)
- **Temperature range:** -160 °C to +130 °C
- **Fire behaviour:** DIN 4102: Class B2



TECHNICAL DATA

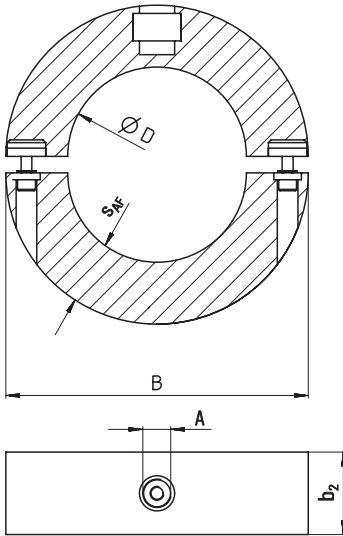


Item	Art.-No.	Thread	Internal diameter	Width B	Locking screw	Insulation thickness	Length of insulation material	Max. recom. static load (centr. tension) $N_{recom.}$ [kN]	Sales unit [pcs]
		A	D [mm]	B [mm]		S_{AF} [mm]	b2 [mm]		
KFT 9,5	505576 ¹⁾	M 8 / M 10 / 1/2"	9,5	88	M 6	30	40	0.15	1
KFT 12,7	505577	M 8 / M 10 / 1/2"	12,7	88	M 6	30	40	0.20	1
KFT 15,8	505578	M 8 / M 10 / 1/2"	15,8	88	M 6	30	40	0.21	1
KFT 17,2	505579 ¹⁾	M 8 / M 10 / 1/2"	17,2	88	M 6	30	40	0.21	1
KFT 18,0	505580	M 8 / M 10 / 1/2"	18,0	88	M 6	30	40	0.21	1
KFT 19,5	505581 ¹⁾	M 8 / M 10 / 1/2"	19,5	88	M 6	30	40	0.21	1
KFT 21,3	505582	M 8 / M 10 / 1/2"	21,3	88	M 6	30	40	0.26	1
KFT 22,0	505583	M 8 / M 10 / 1/2"	22,0	88	M 6	30	40	0.26	1
KFT 26,9	505584	M 8 / M 10 / 1/2"	26,9	88	M 6	30	40	0.32	1
KFT 28,0	505585	M 8 / M 10 / 1/2"	28,0	88	M 6	30	40	0.32	1
KFT 33,7	505587	M 8 / M 10 / 1/2"	33,7	96	M 6	30	40	0.40	1
KFT 35,0	505588	M 8 / M 10 / 1/2"	35,0	96	M 6	30	40	0.42	1
KFT 40,0	505589 ¹⁾	M 8 / M 10 / 1/2"	40,0	100	M 6	30	40	0.42	1
KFT 41,2	505591	M 8 / M 10 / 1/2"	41,2	100	M 6	30	40	0.51	1
KFT 42,4	505592	M 8 / M 10 / 1/2"	42,4	103	M 6	30	40	0.51	1
KFT 44,5	505593 ¹⁾	M 8 / M 10 / 1/2"	44,5	103	M 6	30	40	0.51	1
KFT 48,3	505594	M 8 / M 10 / 1/2"	48,3	102	M 6	30	40	0.58	1
KFT 50,0	505595 ¹⁾	M 8 / M 10 / 1/2"	50,0	112	M 6	30	40	0.60	1
KFT 54,0	505596	M 8 / M 10 / 1/2"	54,0	116	M 6	30	40	0.62	1
KFT 57,0	505597	M 8 / M 10 / 1/2"	57,0	116	M 6	30	40	0.65	1
KFT 60,3	505598	M 8 / M 10 / 1/2"	60,3	123	M 6	30	50	0.72	1
KFT 64,0	505599	M 8 / M 10 / 1/2"	64,0	123	M 6	30	50	0.77	1
KFT 70,0	505901	M 8 / M 10 / 1/2"	70,0	132	M 8	30	50	1.26	1
KFT 74,0	505902 ¹⁾	M 8 / M 10 / 1/2"	74,0	132	M 8	30	50	1.26	1
KFT 76,1	505903	M 8 / M 10 / 1/2"	76,1	132	M 8	30	50	1.37	1
KFT 80,0	505904 ¹⁾	M 8 / M 10 / 1/2"	80,0	132	M 8	30	50	1.37	1
KFT 84,0	505905 ¹⁾	M 8 / M 10 / 1/2"	84,0	150	M 8	30	50	1.60	1
KFT 88,9	505906	M 8 / M 10 / 1/2"	88,0	150	M 8	30	50	1.60	1
KFT 92,1	505907 ¹⁾	M 8 / M 10 / 1/2"	92,1	150	M 8	30	50	1.60	1
KFT 101,0	505908 ¹⁾	M 8 / M 10 / 1/2"	101,0	188	M 8	40	60	2.59	1
KFT 104,0	505909 ¹⁾	M 8 / M 10 / 1/2"	104,0	188	M 8	40	60	2.59	1
KFT 108,0	505910	M 8 / M 10 / 1/2"	108,0	188	M 8	40	60	2.59	1
KFT 114,3	505911	M 8 / M 10 / 1/2"	114,3	195	M 8	40	60	2.74	1
KFT 129,0	505914 ¹⁾	M 8 / M 10 / 1/2"	129,0	220	M 8	40	60	3.19	1
KFT 133,0	505915	M 8 / M 10 / 1/2"	133,0	220	M 8	40	60	3.19	1

¹⁾ delivery on request

TECHNICAL DATA

2a
Pipe clamps



Item	Art.-No.	Thread	Internal diameter	Width B	Locking screw	Insulation thickness	Length of insulation material	Max. recom. static load (centr. tension) $N_{recom.}$ [kN]	Sales unit [pcs]
		A	D [mm]	B [mm]					
KFT 139,7	505916	M 8 / M 10 / 1/2"	139,7	220	M 8	40	60	3.35	1
KFT 154,0	505917 1)	M 12 / 1/2"	154,0	239	M 10	40	60	3.83	1
KFT 159,0	505918	M 12 / 1/2"	159,0	239	M 10	40	60	3.83	1
KFT 168,3	505919	M 12 / 1/2"	168,3	250	M 10	40	60	4.04	1
KFT 193,7	505920	M 16 / 1/2"	193,7	340	M 10	60	100	5.26	1
KFT 204,0	505921	M 16 / 1/2"	204,0	340	M 10	60	100	5.20	1
KFT 219,1	505922	M 16 / 1/2"	219,1	340	M 10	60	100	5.26	1

1) delivery on request

The U-bolt with metric thread



APPLICATIONS

- Installation of standing or hanging pipes
- Pipe routing on profiles and consoles

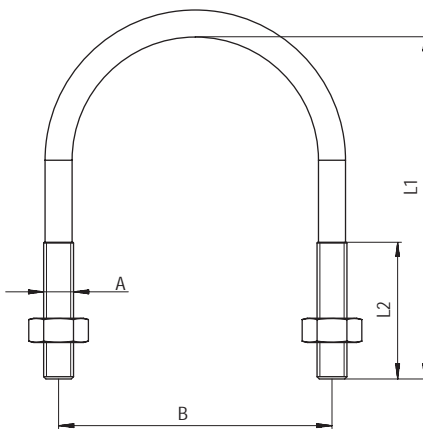
ADVANTAGES/BENEFITS

- The U-bolt's two screws allow an ideal adaptation to suit the outer pipe diameter.

PROPERTIES

- **Material:** steel with min. tensile strength of 360 N/mm²
- **Zinc plating:** electro zinc-plated

TECHNICAL DATA



Item	Art.-No.	Thread A	Length L ₁ [mm]	Length L ₂ [mm]	Size [inch]	Width B [mm]	Sales unit [pcs]		
ETR 8 - 13	024415	M 6	30	20	1/4"	20	10		
ETR 12 - 17	024416	M 6	35	20	3/8"	24	10		
ETR 15 - 21	024417	M 6	40	25	1/2"	28	10		
ETR 20 - 27	024418	M 8	50	32	3/4"	36	10		
ETR 26 - 34	024419	M 8	55	32	1"	43	10		
ETR 33 - 42	024420	M 8	68	38	1 1/4"	51	10		
ETR 40 - 49	024421	M 8	70	38	1 1/2"	58	10		
ETR 50 - 60	024422	M 8	80	40	2"	69	10		
ETR 60 - 70	024423	M 10	100	43	–	82	10		
ETR 66 - 76	024424	M 10	110	50	2 1/2"	88	10		
ETR 70 - 82	024425	M 10	115	50	–	94	10		
ETR 80 - 90	024426	M 10	115	50	3"	102	10		
ETR 90 - 102	024427	M 12	145	55	3 1/2"	116	5		
ETR 100 - 108	024428	M 12	150	50	–	122	5		
ETR 102 - 114	024429	M 12	156	60	4"	128	5		
ETR 121 - 127	024430	M 12	170	60	–	141	5		
ETR 126 - 133	024431	M 12	180	70	–	147	5		
ETR 131 - 140	024432	M 14	185	70	5"	156	5		
ETR 143 - 153	024433 1)	M 14	193	70	–	169	5		
ETR 150 - 159	024434	M 14	200	70	–	175	5		
ETR 168	024435	M 14	210	70	6"	184	5		
ETR 193,7	024436	M 14	232	70	–	209	5		
ETR 219	024437	M 14	270	70	8"	236	5		

1) Delivery time on request.

The universal sprinkler loop

2a
Pipe clamps



Sprinkler pipe installation

APPLICATIONS

- Installation of sprinkler pipes

ADVANTAGES/BENEFITS

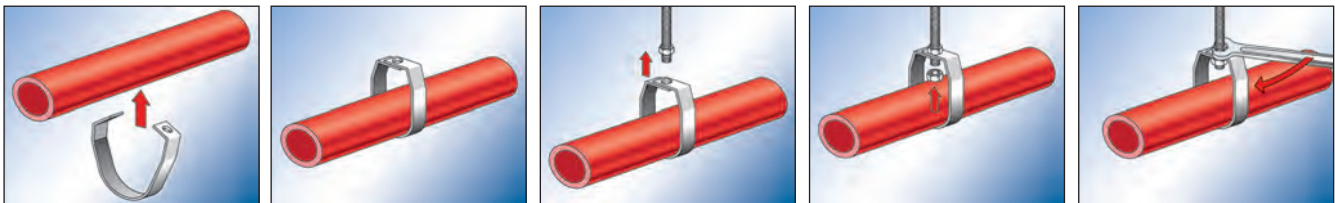
- The FM-approval guarantees independently tested safety for the use in sprinkler systems.
- The sprinkler loop with clearance hole enables an easy fixing with threaded rod and nut.

CERTIFICATES

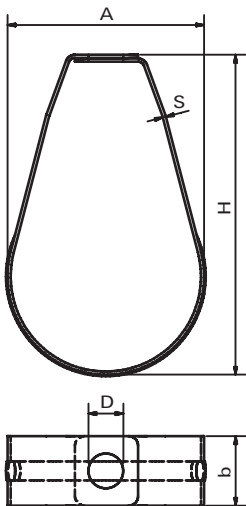


PROPERTIES

- **Material:** steel DX5 1D+Z 275 MA acc. to DIN EN 10142
- **Zinc plating:** sendzimir-galvanised, min. 15 µm



TECHNICAL DATA



		FM approved	Eye-Ø D	Width A	Height H	Width x thick- ness clamp band b x s	Max. recom. static load (centr. tension) N _{recom.}	Sales unit		
Item	Art.-No.		[mm]	[mm]	[mm]	[mm]	[kN]	[pcs]		
FRSP 1/2"	524035	–	11	46	62	22 x 1,0	1.50	100		
FRSP 3/4"	524036	X	11	46	62	22 x 1,0	1.50	100		
FRSP 1"	524037	X	11	46	70	22 x 1,0	1.50	100		
FRSP 1 1/4"	524038	X	11	50	82	22 x 1,0	1.50	100		
FRSP 1 1/2"	524039	X	11	50	93	22 x 1,0	1.50	100		
FRSP 2"	524040	X	11	62.2	102	22 x 1,0	1.50	100		
FRSP 2 1/2"	524041	X	11	82	120	22 x 1,5	4.50	50		
FRSP 3"	524042	X	11	94.9	139	22 x 1,5	4.50	50		
FRSP 4"	524043	X	11	117.2	180	22 x 1,5	4.50	25		
FRSP 5"	524044	X	13	143.6	218	32 x 2,0	5.20	20		
FRSP 6"	524045	X	13	172.2	237	32 x 2,0	5.20	15		
FRSP 8"	524046	X	16,5	224	318	32 x 2,5	5.20	10		

The premium sprinkler loop with separable band and height adjustment, VdS approved

2a
Pipe clamps



Sprinkler pipe installation

APPLICATIONS

- Installation of sprinkler pipes according VdS

ADVANTAGES/BENEFITS

- The VdS approval guarantees independently tested safety for the use in sprinkler systems.
- The adjustment nut enables a simple, post-installation height adjustment of the pipes.

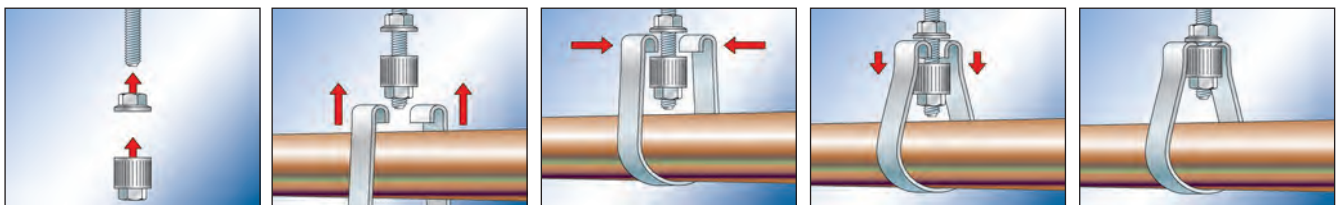
CERTIFICATES



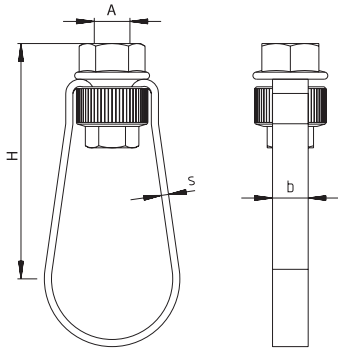
G 410037 / G 410034

PROPERTIES

- **Material pipe loop:** steel DX51D acc. to DIN EN 10346, material no. 1.0226 (Z140 N-A-C)
- **Material adjustment nut:** steel 11 SMnPb 30 acc. to DIN EN 10087, material no. 1.0718
- **Zinc plating:** sendzimir-galvanised, min. 8 µm



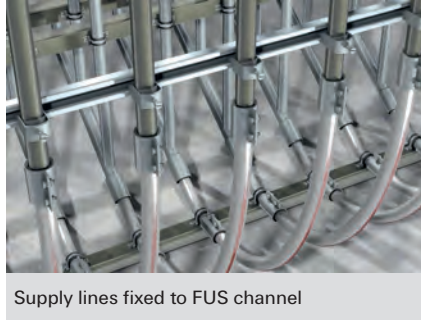
TECHNICAL DATA



Item	Art.-No.	VdS approved	Size [inch]	Thread A	Height H [mm]	Width x thick- ness clamp band b x s [mm]	Max. recom. static load (centr. tension) $N_{recom.}$ [kN]	Sales unit [pcs]		
FRSL 34 M8	538082	X	1"	M 8	67	10 x 1,8	2.0	50		
FRSL 43 M8	538083	X	1 1/4"	M 8	67	10 x 1,8	2.0	50		
FRSL 49 M8	538084	X	1 1/2"	M 8	72	10 x 1,8	2.0	50		
FRSL 60 M8	538085	X	2"	M 8	81	10 x 1,8	2.0	50		
FRSL 34	513302	X	1"	M 10	67	10 x 1,8	2.0	50		
FRSL 43	513303	X	1 1/4"	M 10	67	10 x 1,8	2.0	50		
FRSL 49	513304	X	1 1/2"	M 10	72	10 x 1,8	2.0	50		
FRSL 60	513307	X	2"	M 10	81	10 x 1,8	2.0	50		
FRSL 76	513308	X	2 1/2"	M 10	98	10 x 2,5	3.5	25		
FRSL 90	513309	X	3"	M 10	113	10 x 2,5	3.5	25		
FRSL 115	513310	X	4"	M 10	143	10 x 2,5	3.5	25		
FRSL 140	513311	X	5"	M 12	157	13 x 2,5	5.0	25		
FRSL 170	513312	X	6"	M 12	187	13 x 2,5	5.0	25		

The easy handling pipe and cable clamp for direct attachment of lines to FUS mounting rails

2a
Pipe clamps



Supply lines fixed to FUS channel

APPLICATIONS

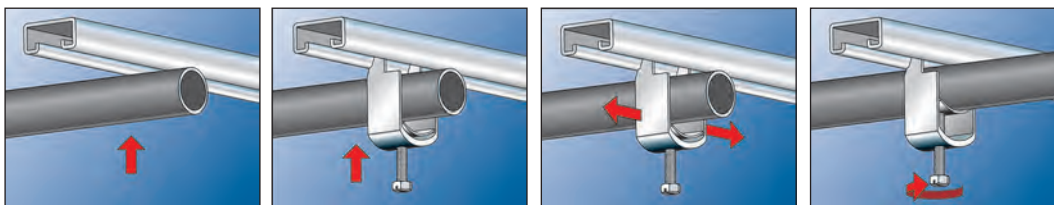
- Fast installation of metal and plastic pipes, flexible plastic pipes or cables without sound insulation requirements directly to FUS installation channels
- Fits to FUS channels FUS 21, FUS 41, FUS 62, FUS 21D, FUS 41D, FUS 62D

ADVANTAGES/BENEFITS

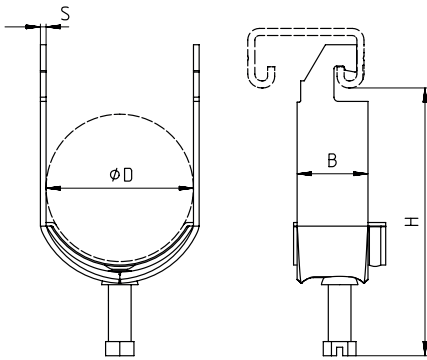
- The FUBD without soundproofing is ideal for use in industrial applications, for example, for fixing lightweight flexible supply lines in the immediate area of production machines.
- Locking screw with hexagonal and slot drive.
- Quick adaptation to the desired outside pipe diameter by fastening the pressure pan.
- No loss of parts due to preassembled parts.
- Time- and cost-saving installation without the need of accessories like threaded rods or sliding nuts.

PROPERTIES

- **Material U-Strap:** steel S235JRC (Werkstoff-Nr.: 1.0122) acc. to EN 10025
- **Zinc plating U-Strap:** hot-dip galvanised min. 35 µm acc. to DIN EN ISO 1461
- **Material Pressure pan:** steel DX5 1D acc. to DIN EN 10346
- **Zinc plating Pressure pan:** electro zinc plated, min. 5 µm acc. to DIN EN ISO 4042
- **Material Locking screw:** steel 4.6 acc. to EN 20898-1
- **Locking screw:** with hexagonal SW10 and slot head



TECHNICAL DATA



Item	Art.-No.	Clamping range	Height H	Width x thickness clamp band b x s	Locking screw	Sales unit
		D [mm]	H [mm]	[mm]		[pcs]
FUBD 40	539564	36 - 40	71	25 x 1,75	M 6 x 24	100
FUBD 52	539566	48 - 52	90	25 x 2,0	M 8 x 30	50
FUBD 60	539567	56 - 60	98	30 x 2,25	M 8 x 30	50
FUBD 76	539568	70 - 76	113	30 x 2,75	M 8 x 30	25
FUBD 94	539569	88 - 94	141	30 x 2,75	M8 x 40	20
FUBD 100	539570	94 - 100	147	30 x 2,75	M8 x 40	10

The hose clamp for large hoses, pipe or ducting

2a
Pipe clamps



APPLICATIONS

- Sealing of hoses
- Fixing hoses to adapters

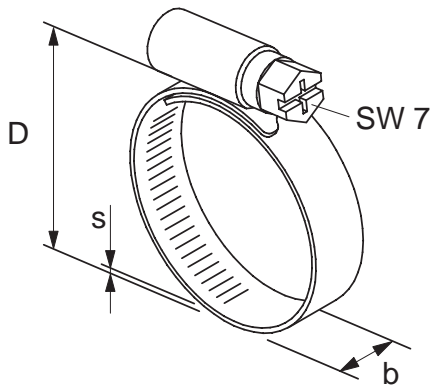
ADVANTAGES/BENEFITS

- The crimped band edges offer protection against damage to the hose.
- The short base of the hosing allows an ideal adjustment and high, radial forces on the hose diameter.
- The screw's combination cross-drive thread enables installation flexibility.

PROPERTIES

- **Material class:** W 2
- **Worm:** CQ 15 (material no. 1.1132) acc. to DIN EN 10263
- **Housing and band:** chromium steel (material no. 1.4016) acc. to DIN EN 10088 or equivalent corrosion-resistant steel

TECHNICAL DATA



Item	Art.-No.	Clamping range	Width x thickness clamp band	Sales unit
		D [mm]	b x s [mm]	[pcs]
SGS 9 W2 8 - 12	045517	8 - 12	9,0 x 0,6	100
SGS 9 W2 10 - 16	045518	10 - 16	9,0 x 0,6	100
SGS 9 W2 12 - 20	045519	12 - 20	9,0 x 0,6	100
SGS 9 W2 16 - 27	045520	16 - 27	9,0 x 0,6	100
SGS 9 W2 20 - 32	045521	20 - 32	9,0 x 0,6	100
SGS 9 W2 25 - 40	045522	25 - 40	9,0 x 0,6	100
SGS 9 W2 32 - 50	045523	32 - 50	9,0 x 0,6	100
SGS 9 W2 40 - 60	045524	40 - 60	9,0 x 0,6	25
SGS 9 W2 50 - 70	045525	50 - 70	9,0 x 0,6	25
SGS 9 W2 60 - 80	045526	60 - 80	9,0 x 0,6	25
SGS 9 W2 70 - 90	045527	70 - 90	9,0 x 0,6	25
SGS 9 W2 80 - 100	045528	80 - 100	9,0 x 0,6	25
SGS 9 W2 90 - 110	045529	90 - 110	9,0 x 0,6	25
SGS 9 W2 100 - 120	045530	100 - 120	9,0 x 0,6	25
SGS 9 W2 110 - 130	045531	110 - 130	9,0 x 0,6	25
SGS 9 W2 120 - 140	045532	120 - 140	9,0 x 0,6	25



2b Channel system FLS

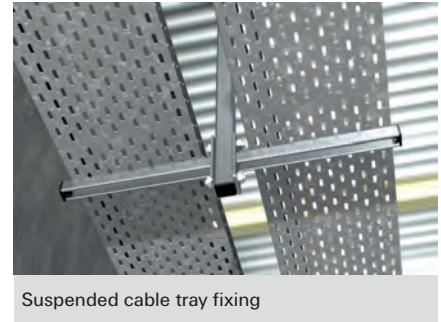
	Page		Page
CHANNELS		CONSTRUCTION ELEMENTS	
Channel FLS	62	Channel connector SV 31	72
FLS Cutting Tool	65	Saddle flange SF Clix 31	80
CONSOLES		Angle bracket MW Clix 90°	82
Cantilever arm ALK	67	Angle bracket MW and MWU	84
Cover cap AK	69	Beam clamp TKR 31	87
Angle brace WS 31-45°	70		
CONNECTORS			
Sliding channel nut FSM Clix P	74		
Sliding channel nut FSM Clix M	76		
T-head bolt FHS Clix	78		
Channel washer HK 31	86		

The flexible channel system for light applications

2b
Channel system FLS



Air duct fixing with channel



Suspended cable tray fixing

APPLICATIONS

- The U-profile channels enable the creation of secure, horizontal and vertical installations.
- The channel system is suitable for fast and efficient fixings of pipelines and supporting structures.

ADVANTAGES/BENEFITS

- The fire inspection report in line with MLAR/EN 1363-1 of the FLS 37 guarantees independently tested functional safety.
- The channel shape with edge seams gives a perfect fit for the connector elements and leads to a safe and easy installation.
- The serration with stamped teeth in the mounting channel gives the sliding nuts a secure hold to bear high shear loads.
- The scale on the channels simplifies the cutting of the channels and the positioning of the connector elements during installation.
- The alternating long slots in the channel enable the optimised fixing to the substrate with the perfect fixtures.

CERTIFICATES

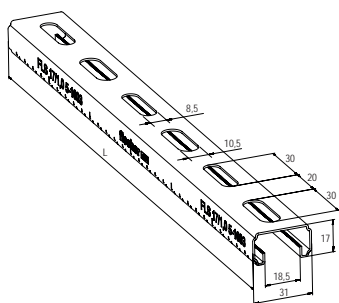


PROPERTIES

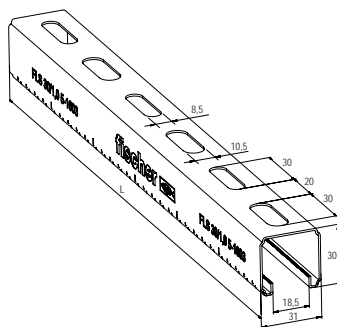
- **Material:** pre-galvanised steel S-250-GD+Z275 (material no.: 1.0242) acc. to DIN EN 10346



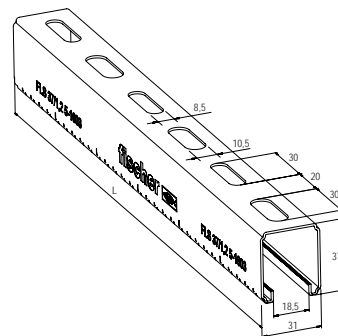
TECHNICAL DATA



FLS 17/1.0



FLS 30/1.0



FLS 37/1.2

Item	Art.-No.	Fire test report	Thickness	Length	Sales unit
			S [mm]	L [mm]	
FLS 17/1.0 - 2 m	538753	—	1.0	2000	10
FLS 17/1.0 - 3 m	538754	—	1.0	3000	8
FLS 30/1.0 - 2 m	538755	—	1.0	2000	10
FLS 30/1.0 - 3 m	538756	—	1.0	3000	8
FLS 37/1.2 - 2 m	538757	X	1.2	2000	10
FLS 37/1.2 - 3 m	538758	X	1.2	3000	8
FLS 37/1.2 - 6 m	538759	X	1.2	6000	1

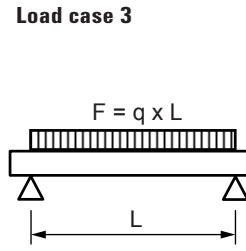
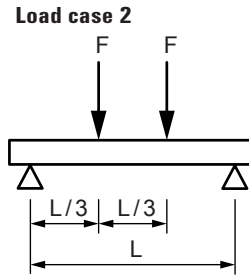
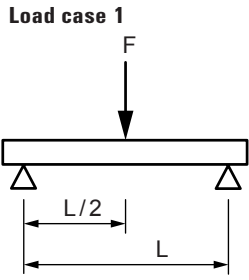
LOADS

Item	Art.-No.	Weight [kg/m]	Profile cross section [cm ²]	Moment of inertia I _y [cm ⁴]	Moment of inertia I _z [cm ⁴]	Section modulus W _y [cm ³]	Section modulus W _z [cm ³]	Max. recommended static load for 1m length
								F _{rec} [kN]
FLS 17/1.0 - 2 m	538753	0.58	0.72	0.25	0.91	0.26	0.59	0.13
FLS 17/1.0 - 3 m	538754	0.58	0.72	0.25	0.91	0.26	0.59	0.13
FLS 30/1.0 - 2 m	538755	0.78	0.98	1.02	1.46	0.64	0.94	0.48
FLS 30/1.0 - 3 m	538756	0.78	0.98	1.02	1.46	0.64	0.94	0.48
FLS 37/1.2 - 2 m	538757	1.06	1.33	2.03	2.01	1.04	1.29	0.78
FLS 37/1.2 - 3 m	538758	1.06	1.33	2.03	2.01	1.04	1.29	0.78
FLS 37/1.2 - 6 m	538759	1.06	1.33	2.03	2.01	1.04	1.29	0.78

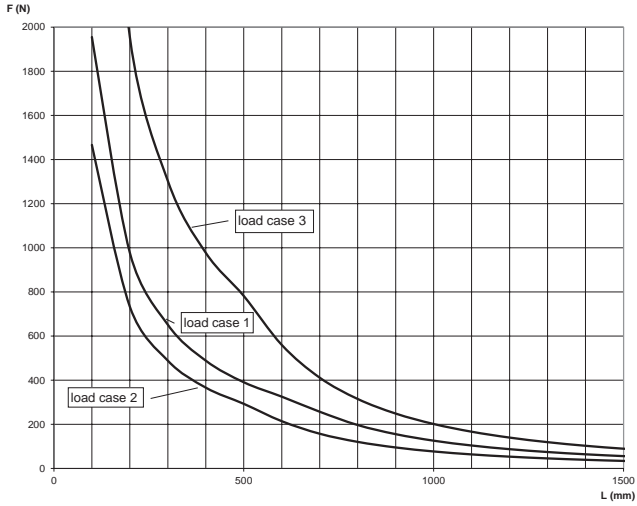
SEE ALSO



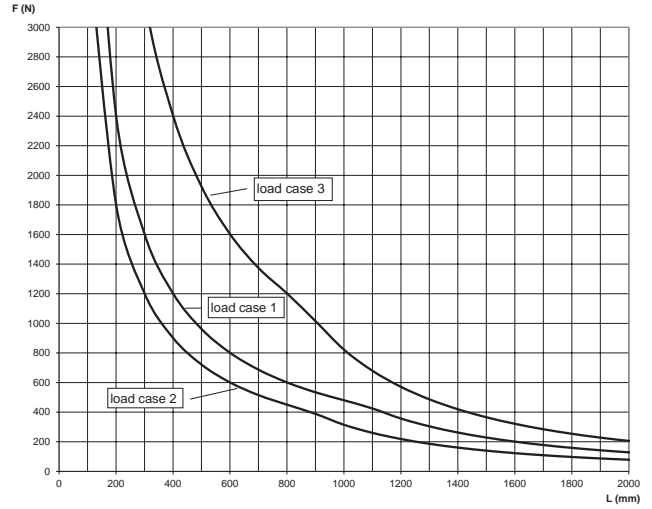
ULTRACUT FBS II
see page 307



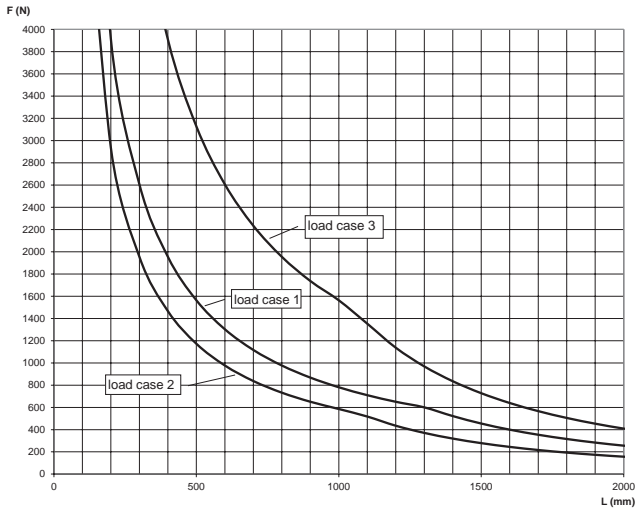
FLS 17/1.0



FLS 30/1.0

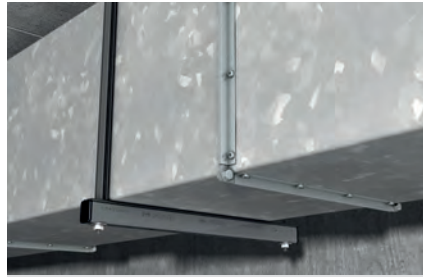


FLS 37/1.2



For the load curves, the permissible steel strain $\delta_{adm} = 188 \text{ N/mm}$ (increased steel strain due to bending) and the maximum deflection under load $L/200$ are not exceeded. Fixings and screw fastenings must be calculated accordingly. The higher yield strength is a result of the calculation according to DIN EN 1993-1-3:2010-12, para. 3.2.2.

The Cutting Tool for FLS channels



Air duct fixing with channel



Pipe fixing on frame construction

2b

Channel system FLS

APPLICATIONS

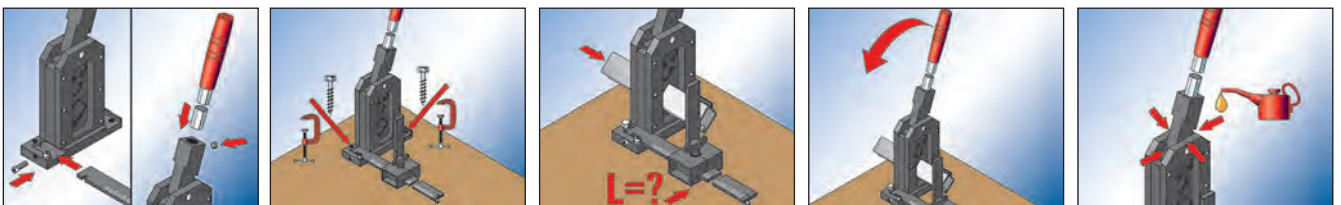
Efficient cutting of the FLS channels to the required length for processing in the installation.

ADVANTAGES/BENEFITS

- The FLS cutting tool for the three FLS channel sizes guarantees the most economical type of channel cutting, including length measurement by the integrated 1 m-measuring unit.
- Simple burr-free cutting instead of sawing the channel profile to avoid the complex and time consuming reworking of the edges.
- The cutting process avoids falling metal chips as during the sawing process for a dirt free workplace.
- The manual cutting tool, which is always ready for use, allows an almost noiseless use.
- Due to the profile-shaped openings in the cutting tool, incorrect use is permanently avoided.

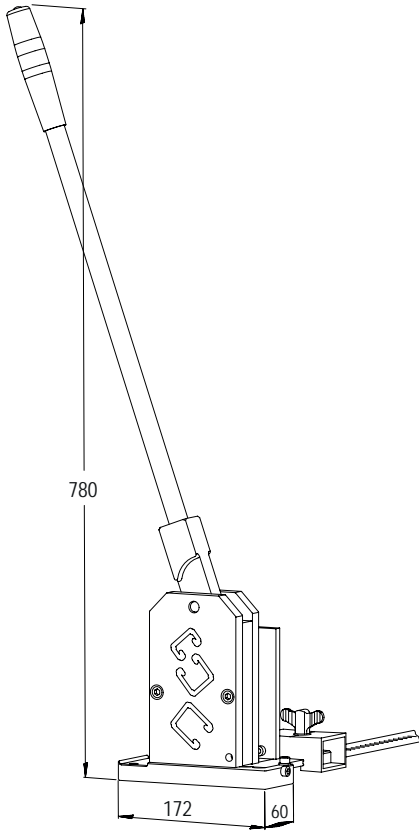
PROPERTIES

- **Material:** tempered tooling steel



TECHNICAL DATA

2b
Channel system FLS



FLS cutting tool manual

Item	Art.-No.	Performance data	Sales unit
			[pcs]
FLS cutting tool manual	543965	Incl. Operating lever and 1m measuring unit for length adjustment	1

Cantilever arm made from FLS channel profile



Pipe fixing at the wall



Cable tray on cantilever arm

APPLICATIONS

- The ALK cantilever arm allows the economic installation of single pipes or pipelines along the wall.

ADVANTAGES/BENEFITS

- The fire inspection report in line with MLAR/EN 1363-1 of the ALK 37 guarantees independently tested functional safety.
- The graduated range of lengths allows an ideal adaptation to the application.
- The console's stable base plate offers a secure hold for a load-bearing construction.
- The base plate's long slots, which are at 90° to one another, allow the console to be easily aligned.

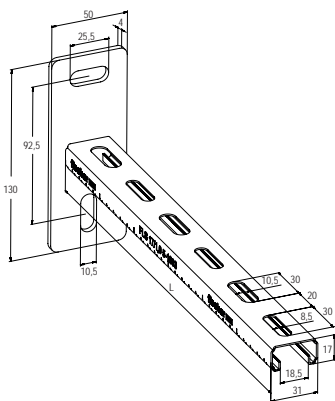
CERTIFICATES



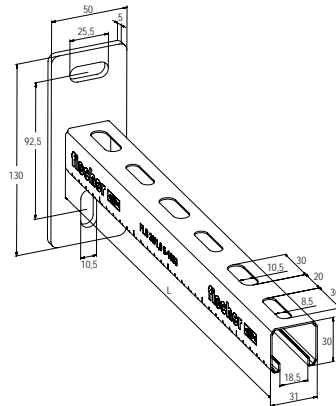
PROPERTIES

- **Material Base plate:** steel E295 (material no.: 1.0050) acc. to DIN EN 10025-2
- **Material Channel:** steel S2 15 G (material no.: 10116 G) acc. to DIN 1623
- **Zinc plating:** electro zinc-plated, min. 13 µm

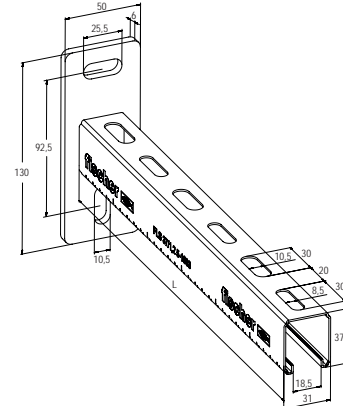
TECHNICAL DATA



ALK 17



ALK 30

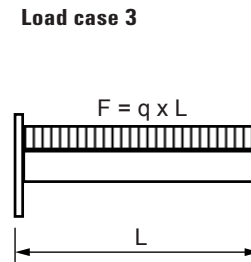
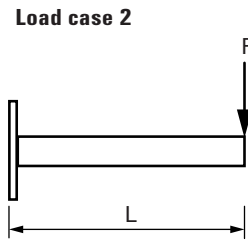
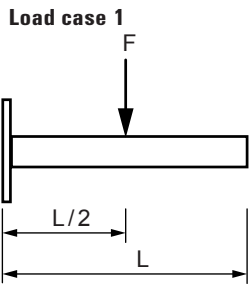


ALK 37

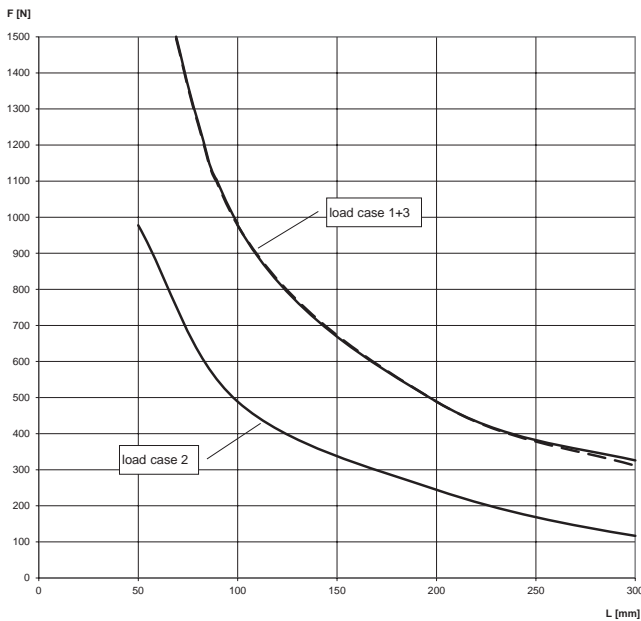
Item	Art.-No.	Fire test report	Profile	Length	Sales unit
				L [mm]	
ALK 17-200	538738	—	17/1,0	200	10
ALK 17-300	538739	—	17/1,0	300	10
ALK 30-200	538740	—	30/1,0	200	10
ALK 30-300	538741	—	30/1,0	300	10
ALK 30-450	538742	—	30/1,0	450	10
ALK 37-300	538743	X	37/1,2	300	10
ALK 37-450	538744	X	37/1,2	450	10
ALK 37-600	538745	X	37/1,2	600	5

LOADS

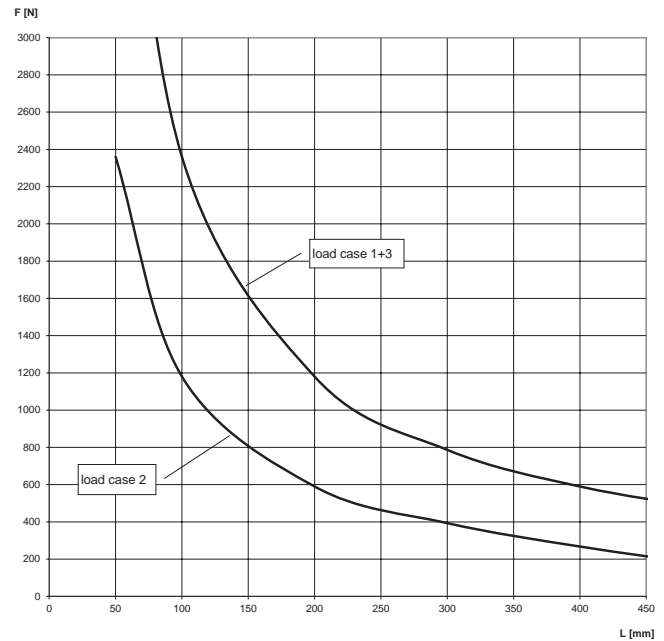
Item	Art.-No.	Max. recommended static load load case 1 F_{rec} [kN]	Max. recommended static load load case 2 F_{rec} [kN]	Max. recommended static load load case 3 F_{rec} [kN]
ALK 17-200	538738	0.49	0.24	0.49
ALK 17-300	538739	0.33	0.12	0.31
ALK 30-200	538740	1.18	0.59	1.18
ALK 30-300	538741	0.79	0.39	0.79
ALK 30-450	538742	0.53	0.22	0.53
ALK 37-300	538743	1.27	0.64	1.27
ALK 37-450	538744	0.86	0.41	0.86
ALK 37-600	538745	0.63	0.24	0.63



ALK 17/1.0

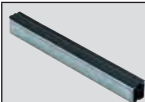


ALK 30/1.0



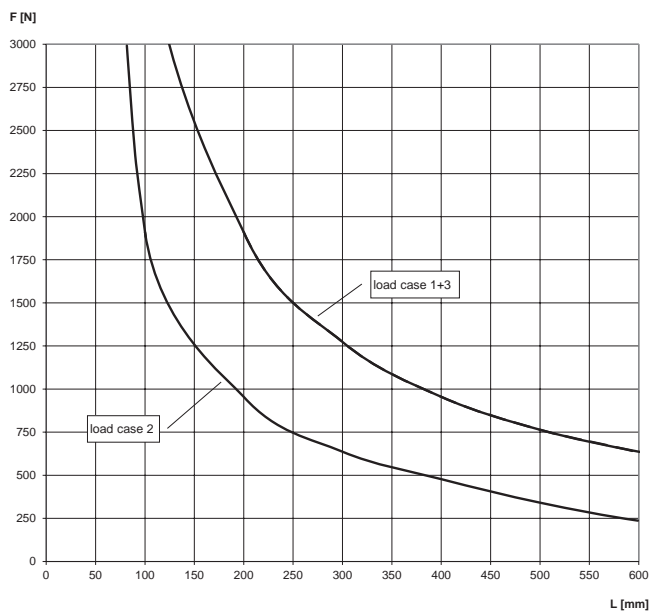
For the load curves, the permissible steel strain $\delta_{adm.} = 188 \text{ N/mm}^2$ (increased steel strain due to bending) and the maximum deflection under load $L/150$ are not exceeded. Fixings and screw fastenings must be calculated accordingly.

SEE ALSO



EMS
Art.-No. 538752

ALK 37/1.2



For the load curves, the permissible steel strain $\delta_{adm.} = 188 \text{ N/mm}^2$ (increased steel strain due to bending) and the maximum deflection under load $L/150$ are not exceeded. Fixings and screw fastenings must be calculated accordingly.

COVER CAP AK



AK 17

AK 30

AK 37

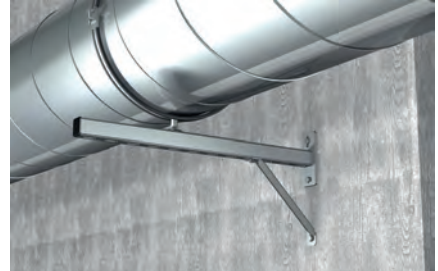
Item	Art.-No.	For profile	Material	Sales unit [pcs]
AK 17	538746	17/1.0	polypropylene	100
AK 30	538747	30/1.0	polypropylene	100
AK 37	538748	37/1.2	polypropylene	100

Angle brace for stable constructions

2b
Channel system FLS



Cable tray on cantilever construction



Ventilating pipe fixing at the wall

APPLICATIONS

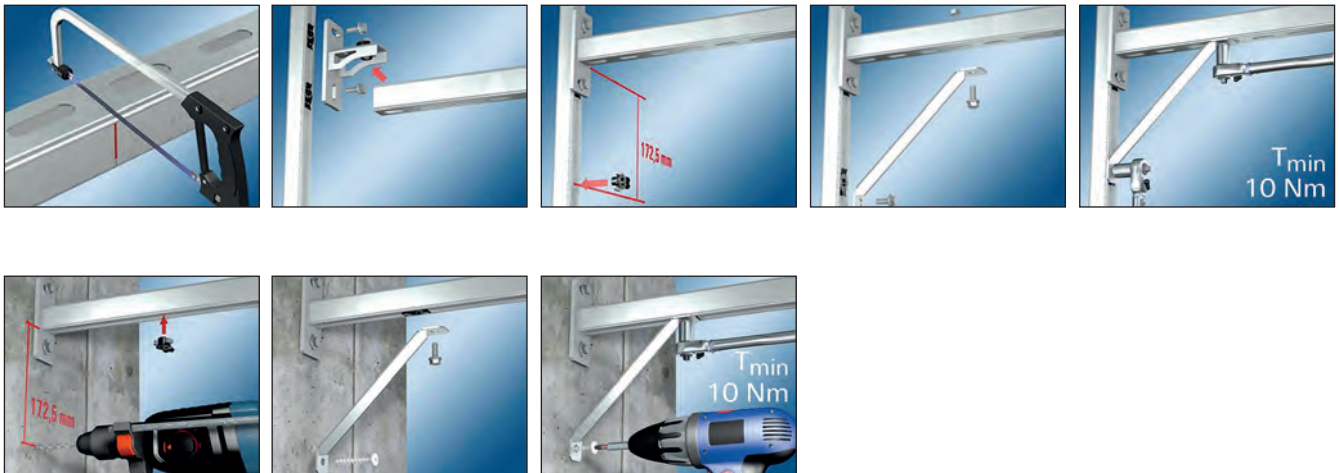
- Angle brace to construct self-supporting channel constructions with FLS channels or ALK cantilever arms.

ADVANTAGES/BENEFITS

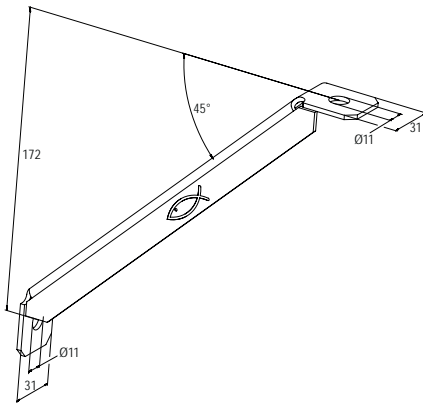
- The stable angle brace element WS 31-45° lends the supporting structure a great stability and safety.
- The size of the angle brace element guarantees a secure connection with ALK cantilever arms and FLS channels by its fitting accuracy.
- The standardised long slots in the angle brace enable an exact connection to ALK cantilever arms or FLS channels by using FSM Clix P and a screw.

PROPERTIES

- **Material:** steel S235 JR (material no.: 1.0037) acc. to DIN EN 10025
- **Zinc plating:** electro zinc-plated, min. 5 µm acc. DIN EN ISO 4042



TECHNICAL DATA



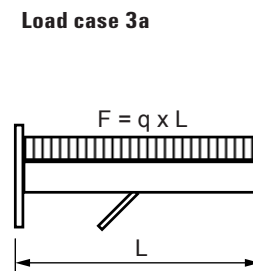
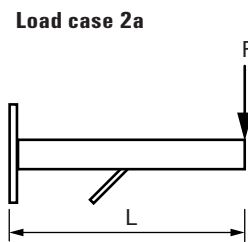
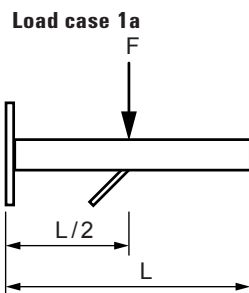
WS 31-45°

Item	Art.-No.	Eye-Ø D [mm]	Sales unit [pcs]
WS 31-45°	538749	11	10

LOADS

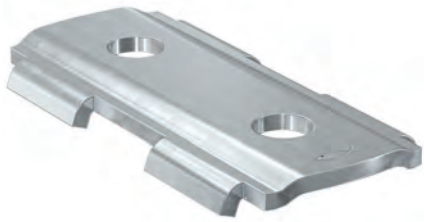
Item	Art.-No.	Max. recommended static load load case 1a [kN]	Max. recommended static load load case 2a [kN]	Max. recommended static load load case 3a [kN]
ALK 17-200	538738	1.03	1.03	1.03
ALK 17-300	538739	1.52	0.45	1.52
ALK 30-200	538740	2.52	1.40	2.52
ALK 30-300	538741	1.78	0.89	1.78
ALK 30-450	538742	1.16	0.47	1.16
ALK 37-300	538743	1.78	0.89	1.78
ALK 37-450	538744	1.16	0.59	1.16
ALK 37-600	538745	0.89	0.45	0.89

Note: Loads are valid for fixing to wall with adequate carrying capacity. Fixing of the cantilever arm and the angle brace to the wall by anchor (e.g. FAZ II, FBS 8). Fixing of the angle brace to the cantilever profile by FSM Clix P 10, tightening torque 12 Nm. Fixing of the angle brace to the long slot of the cantilever profile by screw and nut M10, tightening torque 20 Nm.

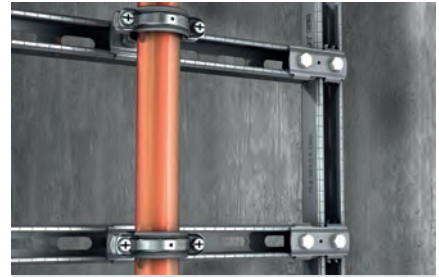


Construction element - Channel connector SV 31

2b
Channel system FLS



Channel extension with channel connector



Vertical installation

APPLICATIONS

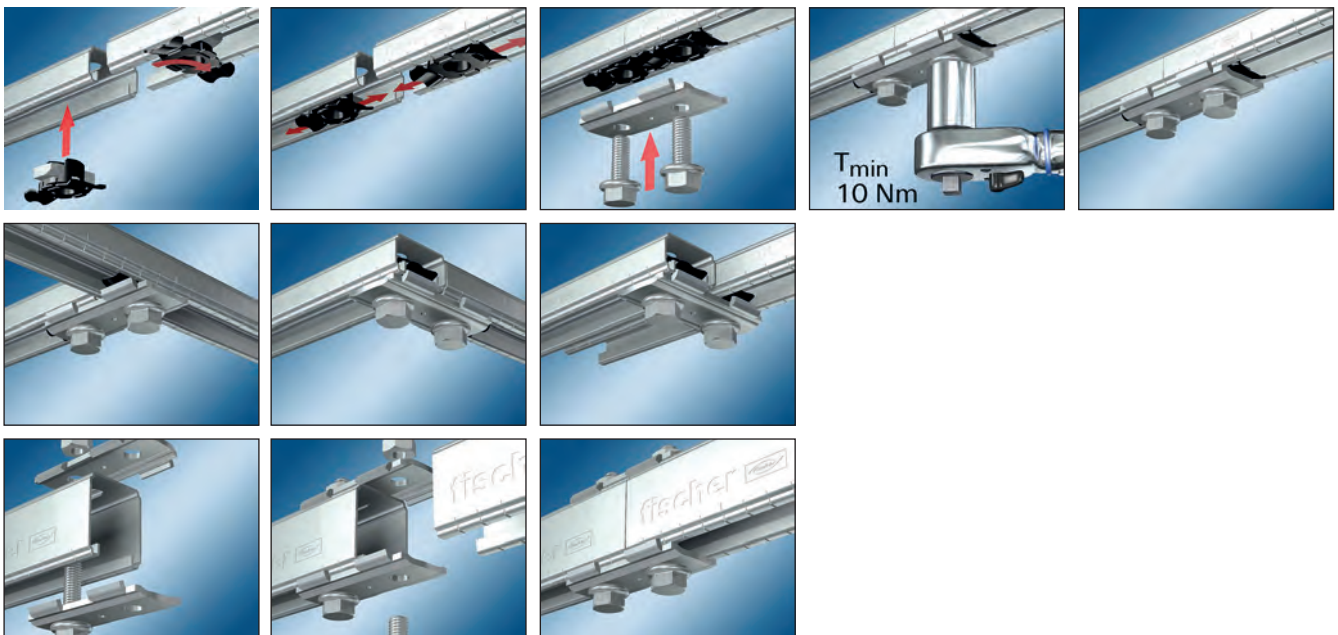
- With the channel connector SV 31 FLS channels can be connected in different directions.

ADVANTAGES/BENEFITS

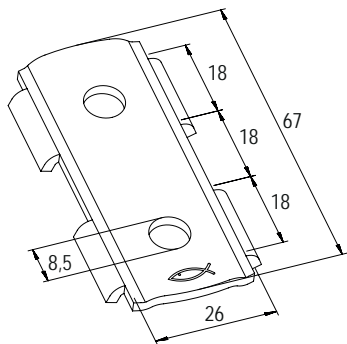
- The special retaining brackets at the SV construction elements enable a form-locking installation longitudinal and transverse to the channel direction to adapt the channel connection effectively
- The standardised long slots of the channel connector enable an exact connection to ALK cantilever arms or FLS channels by using FSM Clix P and a screw

PROPERTIES

- **Material:** steel S235 JR+CR (material no.: 1.0037) acc. to DIN EN 1652
- **Zinc plating:** electro zinc-plated, min. 5 µm acc. DIN EN ISO 4042



TECHNICAL DATA



Item	Art.-No.	Hole-Ø D [mm]	Sales unit [pcs]
SV 31	538641	8.5	25

LOADS

Item	Art.-No.	Max. recommended shear load V_{rec} [kN]	Tightening torque T_{inst} [Nm]
SV 31	538641	1.0	10

The loads are only valid by using FSM Clix P 8.

Channel nut for quick and easy connection of FLS channels

2b
Channel system FLS



Floor penetration



Channel extension with channel connector

APPLICATIONS

- FSM Clix P is suitable for interconnecting FLS channels by using connecting elements.

ADVANTAGES/BENEFITS

- The special and disappearing thrust block of the sliding nut Clix P plastic holder enables a connection of connecting elements and channels without plastic interlayer to establish a safe longitudinal metallic connection.
- The especially developed spring leg on the FSM Clix P guarantees the necessary contact pressure of the connector to the channel to help for a secure adjustment during installation.
- The teeth on the sliding nut enable an exact and secure positioning in the FLS channel and ease the installation of connector elements.
- The unique stop element on the FSM Clix P connector guarantees the accurate 90°-turn of the connectors in the channel to ensure a save and precise installation.

CERTIFICATES



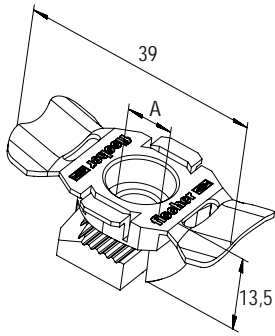
PROPERTIES

- Material channel nut:** steel S420MC (material no.: 1.0980) acc. DIN EN 10149-2
- Material plastic cage:** polypropylene PP, item number 11400, Color black
- Zinc plating:** electro zinc-plated, min. 5 µm acc. DIN EN ISO 4042



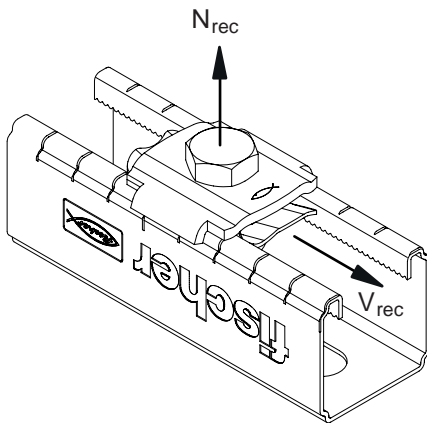
T_{min}
10 Nm

TECHNICAL DATA



Item	Art.-No.	Thread	Sales unit
		A	[pcs]
FSM Clix P 6	538643	M 6	50
FSM Clix P 8	538647	M 8	50
FSM Clix P 10	538649	M 10	50

LOADS



Item	Art.-No.	Max. recommended tension load for FLS 17/1.0 and FLS 30/1.0	Max. recommended tension load for FLS 37/1.2	Max. recommended shear load	Tightening torque
		N_{rec} [kN]	N_{rec} [kN]	V_{rec} [kN]	T_{inst} [Nm]
FSM Clix P 6	538643	1.5	2.0	1.0	10
FSM Clix P 8	538647	1.5	2.0	1.0	10
FSM Clix P 10	538649	1.5	2.0	1.0	10

Channel nut for quick and easy fixing in FLS channels

2b
Channel system FLS



Pipe fixing with channel



Pipe fixing on frame construction

APPLICATIONS

- FSM Clix M is suitable for connecting pipe clamps with a threaded rod to FLS channels.

ADVANTAGES/BENEFITS

- The unique spring leg at the FSM Clix M guarantees the necessary contact pressure of the connector to the channel to help for a secure adjustment during installation.
- The teeth on the sliding nut enable an exact and secure positioning in the FLS channel and ease the installation of connector elements.
- The clix-connector element with 90°-turn for connecting enables an easy post-installation in set channels to save time and money.
- The especially developed stop element on the FSM Clix M connector guarantees the accurate 90°-turn of the connectors in the channel to ensure a safe and precise installation.

CERTIFICATES

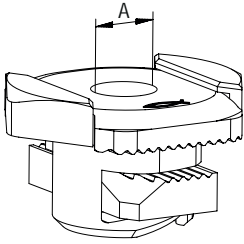


PROPERTIES

- Material channel nut:** steel S420MC (material no.: 1.0980) acc. DIN EN 10149-2
- Material cover plate:** steel S235JR+CR (material no.: 1.0037) acc. DIN 1652
- Material plastic cage:** polypropylene PP, item number 11400, Color black
- Zinc plating:** electro zinc-plated, min. 5 µm acc. DIN EN ISO 4042

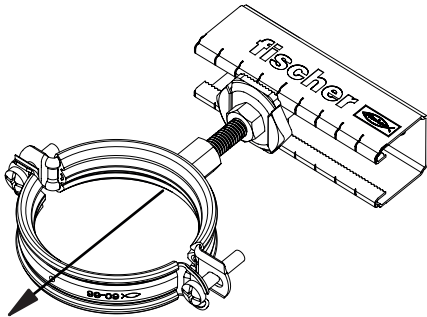


TECHNICAL DATA



Item	Art.-No.	Thread	Width across nut	Sales unit
		A	○ SW [mm]	[pcs]
FSM Clix M 6	538650	M 6	10	50
FSM Clix M 8	538651	M 8	13	50
FSM Clix M 10	538652	M 10	17	50

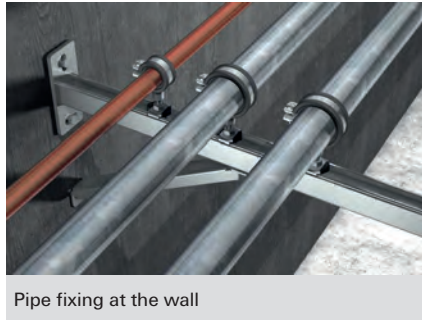
LOADS



Item	Art.-No.	Max. recommended tension load for FLS 17/1.0 and FLS 30/1.0	Max. recommended tension load for FLS 37/1.2	Tightening torque
		N_{rec} [kN]	N_{rec} [kN]	T_{inst} [Nm]
FSM Clix M 6	538650	1.5	2.0	8
FSM Clix M 8	538651	1.5	2.0	8
FSM Clix M 10	538652	1.5	2.0	8

Hammer-head bolt for quick and easy fixing in FLS channels

2b
Channel system FLS



APPLICATIONS

- FHS Clix is suitable for connecting pipe clamps with the channel.

ADVANTAGES/BENEFITS

- The special spring leg at the FHS Clix guarantees the necessary contact pressure of the connector to the channel to help for a secure adjustment during installation.
- The teeth on the sliding nut enable an exact and secure positioning in the FLS channel and ease the installation of connector elements.
- The clix-connector element with 90°-turn for connecting enables an easy post-installation in set channels to save time and money.
- The especially developed stop element on the FHS Clix connector guarantees the accurate 90°-turn of the connectors in the channel to ensure a safe and precise installation.

CERTIFICATES

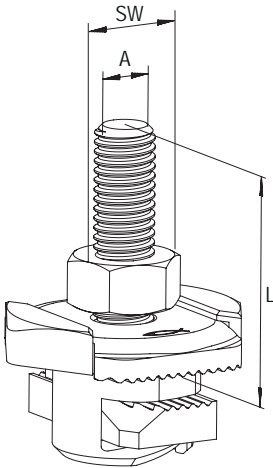


PROPERTIES

- Material channel nut:** steel S420MC (material no.: 1.0980) acc. DIN EN 10149-2
- Material cover plate:** steel S235JR+CR (material no.: 1.0037) acc. DIN 1652
- Material threaded rod:** steel acc. DIN 976-2, min. 4.6 (DIN EN ISO 898-1)
- Material hexagonal nut:** steel acc. DIN 934-4 min. 4.8 (DIN EN ISO 898-2 table 4 stability)
- Material plastic cage:** polypropylene PP, item number 11400, Color black
- Zinc plating:** electro zinc-plated, min. 5 μm acc. DIN EN ISO 4042

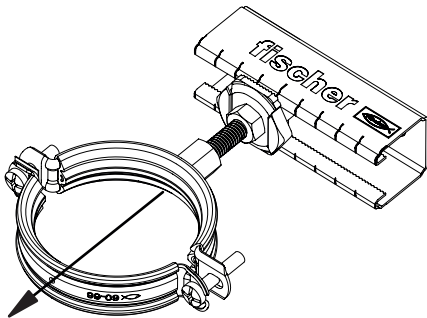


TECHNICAL DATA



Item	Art.-No.	Thread	Length	Width across nut	Sales unit
		A	[mm]	○ SW [mm]	[pcs]
FHS CLIX 8 x 30	538653	M 8	30	13	100
FHS CLIX 8 x 40	538654	M 8	40	13	100
FHS CLIX 8 x 60	538655	M 8	60	13	100
FHS CLIX 8 x 80	538656	M 8	80	13	50
FHS CLIX 8 x 100	538657	M 8	100	13	50
FHS CLIX 8 x 140	545834	M 8	140	13	50
FHS CLIX 8 x 190	545835	M 8	190	13	50
FHS CLIX 10 x 30	538658	M 10	30	17	100
FHS CLIX 10 x 40	538659	M 10	40	17	100
FHS CLIX 10 x 60	538660	M 10	60	17	50
FHS CLIX 10 x 80	545836	M 10	80	17	50
FHS CLIX 10 x 100	538661	M 10	100	17	50

LOADS



Item	Art.-No.	Max. recommended tension load for FLS 17/1.0 and FLS 30/1.0	Max. recommended tension load for FLS 37/1.2	Tightening torque
		N_{rec} [kN]	N_{rec} [kN]	T_{inst} [Nm]
FHS CLIX 8 x 30	538653	1.5	2.0	8
FHS CLIX 8 x 40	538654	1.5	2.0	8
FHS CLIX 8 x 60	538655	1.5	2.0	8
FHS CLIX 8 x 80	538656	1.5	2.0	8
FHS CLIX 8 x 100	538657	1.5	2.0	8
FHS CLIX 10 x 30	538658	1.5	2.0	8
FHS CLIX 10 x 40	538659	1.5	2.0	8
FHS CLIX 10 x 60	538660	1.5	2.0	8
FHS CLIX 10 x 100	538661	1.5	2.0	8

The pre-assembled saddle flange SF Clix 31

2b
Channel system FLS



Channel installation at the wall



Cantilever construction with channel

APPLICATIONS

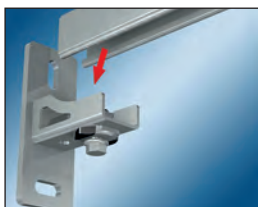
- Element for the stable construction of connections between channels and building structures.

ADVANTAGES/BENEFITS

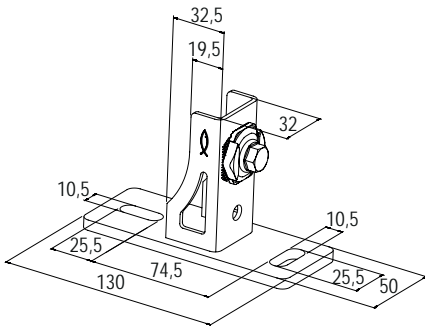
- Pre-assembled accessories like SF Clix bring the number of articles for a connection down and guarantee a time-saving installation.
- The pre-assembled connector of the SF Clix secures the installation position due to the unique thrust block and guarantees a safe and fast installation.
- The special spring leg at pre-assembled connector guarantees the necessary contact pressure of the connector to the channel to help for a secure adjustment during installation.
- The perfect-fit saddle of the SF allows an simple installation by inserting the channel.
- The saddle flange's stable design offers a secure hold for a load-bearing construction.

PROPERTIES

- **Material saddle:** steel E295 (material no.: 1.0050) acc. DIN EN 10025-2
- **Material channel nut:** steel S420MC (material no.: 1.0980) acc. DIN EN 10149-2
- **Material cover plate:** steel S235JR+CR (material no.: 1.0037) acc. DIN 1652
- **Material hexagonal screw:** steel min. 4.6 (DIN EN ISO 898-1)
- **Material plastic cage:** polypropylene PP, item number 11400, Color black
- **Zinc plating:** electro zinc-plated, min. 5 µm, hexagonal screw min. 3 µm acc. DIN EN ISO 4042

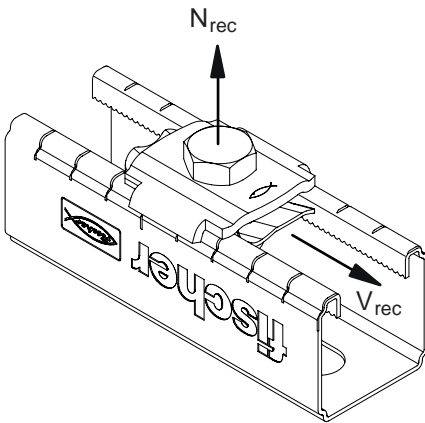


TECHNICAL DATA



Item	Art.-No.	Thread A	Width across nut ○ SW [mm]	Sales unit [pcs]
SF Clix 31	538665	M 8	13	10

LOADS



Item	Art.-No.	Max. recommended tension load for FLS 17/1.0 and FLS 30/1.0 N_{rec} [kN]	Max. recommended tension load for FLS 37/1.2 N_{rec} [kN]	Max. recommended shear load V_{rec} [kN]	Tightening torque T_{inst} [Nm]
SF Clix 31	538665	1.5	2.0	1.0	10

Max. recommended shear load: By using additional screw M8 the shear load for vertical installation can be doubled.

The pre-assembled angle bracket MW Clix 90°

2b
Channel system FLS



Cantilever construction with channel



Pipe fixing on frame construction

APPLICATIONS

- Element for the stable construction of angle connections with FLS channels.

ADVANTAGES/BENEFITS

- Pre-assembled accessories like SF Clix bring the number of articles for a connection down and guarantee a time-saving installation.
- The pre-assembled connector of the MW Clix secures the installation position due to the unique thrust block and guarantees a safe and fast installation.
- The especially developed spring leg at the pre-assembled connector guarantees the necessary contact pressure of the connector to the channel to help for a secure adjustment during installation.
- The form-locking and accurately fitting angle bracket of the MW clix allows a simple installation of the FLS channel and saves valuable installation time.

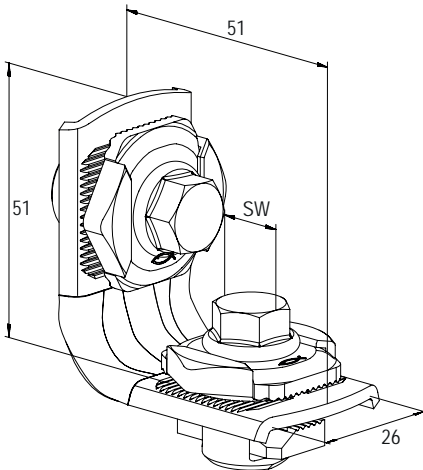
PROPERTIES

- **Material angle bracket:** steel S235JR+CR (material no.: 1.0037) acc. DIN 1652
- **Material channel nut:** steel S420MC (material no.: 1.0980) acc. DIN EN 10149-2
- **Material cover plate:** steel S235JR+CR (material no.: 1.0037) acc. DIN 1652
- **Material hexagonal screw:** steel min. 4.6 (DIN EN ISO 898-1)
- **Material plastic cage:** polypropylene PP, item number 11400, Color black
- **Zinc plating:** electro zinc-plated, min. 5 µm, hexagonal screw min. 3 µm acc. DIN EN ISO 4042



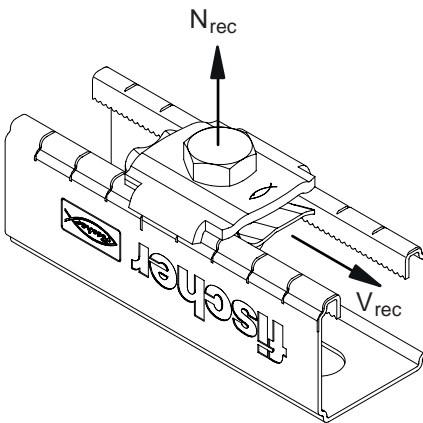
T_{min}
10 Nm

TECHNICAL DATA



Item	Art.-No.	Thread A	Width across nut ○ SW [mm]	Sales unit [pcs]
MW Clix 90°	538666	M 8	13	10

LOADS



Item	Art.-No.	Max. recommended tension load for FLS 17/1.0 and FLS 30/1.0 N_{rec} [kN]	Max. recommended tension load for FLS 37/1.2 N_{rec} [kN]	Max. recommended shear load V_{rec} [kN]	Tightening torque T_{inst} [Nm]
MW Clix 90°	538666	1.5	2.0	1.0	10

Construction element – Angle bracket MW 90° and MWU 90°

2b Channel system FLS



Floor penetration



Pipe fixing in a corridor

APPLICATIONS

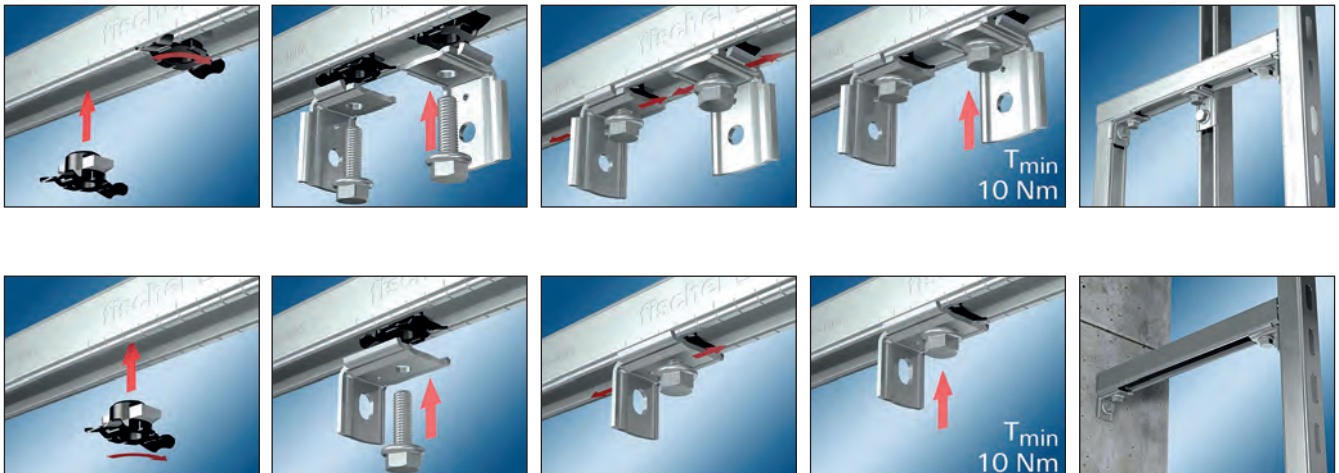
- Connecting elements for the arrangement of simple channel constructions with the sliding channel nut FSM Clix P.

ADVANTAGES/BENEFITS

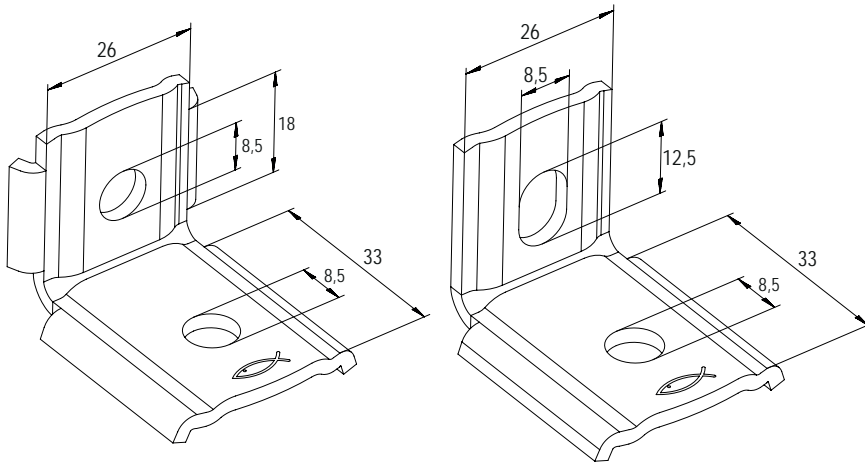
- The individual developed retaining brackets at the MW 90° angle bracket enable a form-locking installation longitudinal and transverse to the channel direction to adapt the channel connection effectively.
- The long slot on flat wing of the MWU 90° angle bracket enables a direct connection to the substrate for space-saving fixation.
- The standardised holes in the angle brackets enable an exact connection to the FLS channels by using FSM Clix P and a screw.

PROPERTIES

- **Material:** steel S235 JR+CR (material no.: 1.0037) acc. to DIN EN 1652
- **Zinc plating:** electro zinc-plated, min. 5 µm acc. DIN EN ISO 4042



TECHNICAL DATA

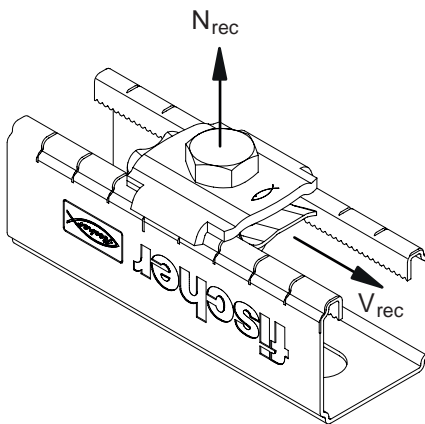


MW 90°

MWU 90°

Item	Art.-No.	Hole-Ø	Sales unit
		D [mm]	[pcs]
MW 90°	538668	8.5	50
MWU 90°	538667	8.5	25

LOADS

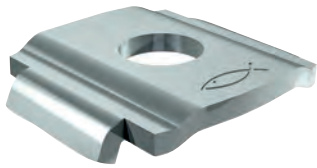


Item	Art.-No.	Max. recommended tension load for FLS 17/1.0 and FLS 30/1.0	Max. recommended tension load for FLS 37/1.2	Max. recommended shear load	Tightening torque
		N_{rec} [kN]	N_{rec} [kN]	V_{rec} [kN]	T_{inst} [Nm]
MW 90°	538668	1.5	2.0	1.0	10
MWU 90°	538667	1.5	2.0	1.0	10

The loads are only valid by using FSM Clix P 8.

Connector - Channel washer HK 31

2b
Channel system FLS



Pipe fixing with channel



Horizontal pipe fixing

APPLICATIONS

- The Channel washer HK 31 is used for stable connections and to strengthen the profile for a fixing to the substrate.

ADVANTAGES/BENEFITS

- The special retaining brackets at the SV connecting elements enable a form-locking installation longitudinal and transverse to the channel direction to adapt the channel connection effectively.
- The standardised slots of the Channel washer enable an exact push-through connection of FLS mounting channels easy and fast.

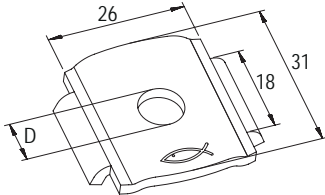
CERTIFICATES



PROPERTIES

- **Material:** steel S235 JR+CR (material no.: 1.0037) acc. to DIN EN 1652
- **Zinc plating:** electro zinc-plated, min. 5 µm acc. DIN EN ISO 4042

TECHNICAL DATA



Item	Art.-No.	Hole-Ø	Sales unit
		D [mm]	[pcs]
HK 31 8,5	538663	8.5	50
HK 31 10,5	538664	10.5	50

Clamping bracket for the fixing of channels to steel girders



2b

Channel system FLS

APPLICATIONS

- Fixing of FLS channels to steel girders, required are two beam clamps per fixing.

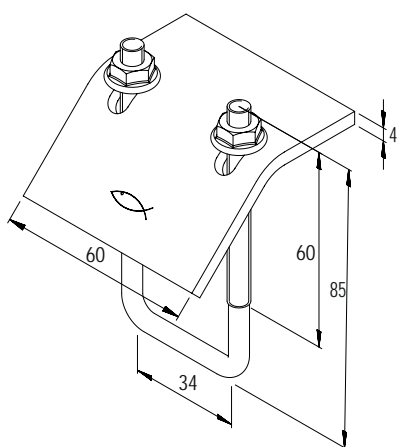
ADVANTAGES/BENEFITS

- The design of the beam clamp allows for fixing without drilling or welding.
- The various lengths of the beam clamp sides allows for fixing on all standard steel beams.
- The shape of the beam clamp guarantees the simple adjustment of the channel connection.

PROPERTIES

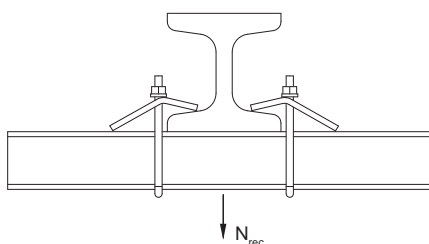
- **Material U-bolt pipe hanger:** steel S235 JR (material no.: 1.0037) acc. DIN EN 10025-2
- **Material plate:** steel E295 (material no.: 1.0050) acc. DIN EN 10025-2
- **Material hexagon nut:** steel resistance class 8
- **Zinc plating:** electro zinc-plated, min. 5 µm acc. DIN EN ISO 4042

TECHNICAL DATA



Item	Art.-No.	Thread	Width across nut	Sales unit
TKR 31	538751	A M 6	○ SW [mm] 10	[pcs] 25

LOADS



Item	Art.-No.	Max. recom. static load (centr. tension)	Tightening torque
TKR 31	538751	$N_{recom.}$ [kN] 2.80	T_{inst} [Nm] 5



2c Channel system FUS

	Page		Page		Page
CHANNELS		CONSTRUCTION ELEMENTS			
Channel FUS	90	Channel connector FUF OC and PFUF OC	96	Saddle flange SF	125
CANTILEVER		Channel connector FDCC	97	Mounting bracket UWS	126
Cantilever arm FCA	99	Saddle flange PSF	107	Mounting bracket FAF	135
Large cantilever arm FCAM	103	Universal bracket PUWS	108	Flanges FZF	136
Cover cap FEC	104	Angle bracket PWK	109	Bracket FFF	134
CONNECTORS		Variable bracket PVB	110	Variable bracket VB	131
Push-through connector PFCN 41	105	Bracing elements PSAE	111	Threaded rod bracket FSB 45°	132
Connector FCN Clix P and FCN Clix M	117	Bracket PFFF	113	Universal mounting UHRS	129
T-head bolt FHS Clix S	119	Bracket PFAF	114	Universal hinge FUH	130
Channel nut FCSN	121	Bracket PFUF	115	Beam clamp TKR	133
Channel nut FCN	123	Bracket PFUF D	116		
Channel washer HK 41	124				

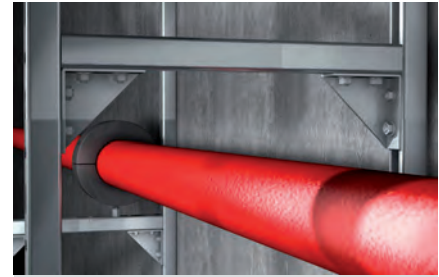
2c Channel system FUS

The universal and complete mounting channel system for a wide range of applications

2c
Channel system FUS



3D-frame constructions



Solid frame construction

APPLICATIONS

- Secure horizontal and vertical installations
- Fast and efficient fixing of pipelines and supporting structures

ADVANTAGES/BENEFITS

- The fire inspection report in line with MLAR/EN 13501 guarantees independently tested functional safety.
- The basic channel geometry allows the usage of the complete extensive range of accessories.
- The stamped teeth in the channel give the sliding nuts a secure hold for high shear loads, e.g. for vertical installation.
- Different channel wall thicknesses allow economical choices for installation.
- The scale on the mounting channels simplifies the cutting and positioning of the fixtures during the installation.

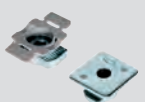
CERTIFICATES



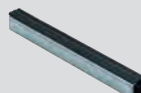
PROPERTIES

- **Material:** pre-galvanised steel S-250-GD+Z275 (material no.: 1.0242) acc. to DIN EN 10346

SEE ALSO

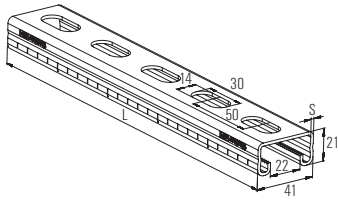


FCN Clix P/M
see page 117

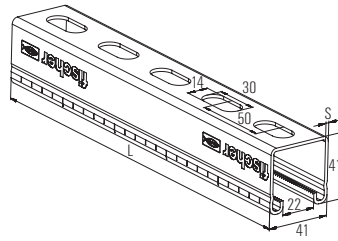


EMS
see page 168

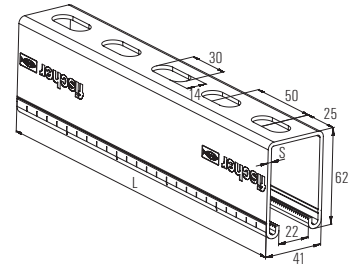
TECHNICAL DATA



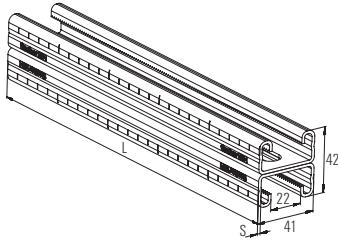
FUS 21



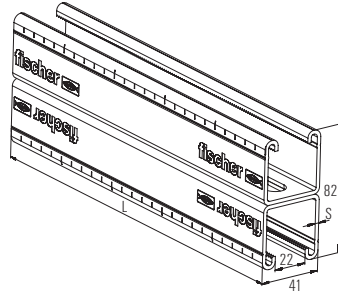
FUS 41



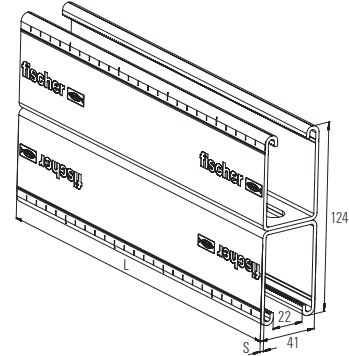
FUS 62



FUS 21D



FUS 41D



FUS 62D

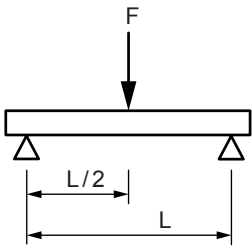
Item	Art.-No.	Fire test report	Length		Thickness		Sales unit
			L [mm]	S [mm]	S [mm]	[pcs]	
FUS 21/1,5 - 2 m	545117	—	2000	1.5	1.5	1	
FUS 21/1,5 - 3 m	545118	—	3000	1.5	1.5	1	
FUS 21/1,5 - 6 m	545119	—	6000	1.5	1.5	1	
FUS 21/2,0 - 2 m	040391	—	2000	2	2	1	
FUS 21/2,0 - 3 m	097660	—	3000	2	2	1	
FUS 21/2,0 - 6 m	097661	—	6000	2	2	1	
FUS 21/2,5 - 2 m	092867	—	2000	2.5	2.5	1	
FUS 21/2,5 - 3 m	077349	—	3000	2.5	2.5	1	
FUS 21/2,5 - 6 m	077541	—	6000	2.5	2.5	1	
FUS 41/1,5 - 2 m	545120	—	2000	1.5	1.5	1	
FUS 41/1,5 - 3 m	545126	—	3000	1.5	1.5	1	
FUS 41/1,5 - 6 m	545127	—	6000	1.5	1.5	1	
FUS 41/2,0 - 2 m	040390	—	2000	2	2	1	
FUS 41/2,0 - 3 m	097658	—	3000	2	2	1	
FUS 41/2,0 - 6 m	097659	—	6000	2	2	1	
FUS 41/2,5 - 2 m	092295	X	2000	2.5	2.5	1	
FUS 41/2,5 - 3 m	077347	X	3000	2.5	2.5	1	
FUS 41/2,5 - 6 m	077537	X	6000	2.5	2.5	1	
FUS 62/2,5 - 6 m	504457	X	6000	2.5	2.5	1	
FUS 21D/2,0 - 3 m	504458	—	3000	2	2	1	
FUS 21D/2,0 - 6 m	535531	—	6000	2	2	1	
FUS 41D/2,5 - 6 m	504459	—	6000	2.5	2.5	1	
FUS 62D/2,5 - 6 m	504460	—	6000	2.5	2.5	1	

LOADS

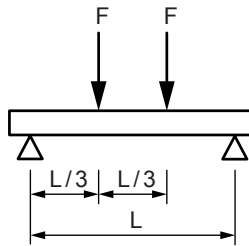
Item	Art.-No.	Profil weight [kg/m]	Profile cross section [cm ²]	Moment of inertia I_y [cm ⁴]	Moment of inertia I_z [cm ⁴]	Section modulus W_y [cm ³]	Section modulus W_z [cm ³]	Max. recommended static load for	Max. recommended static load for	Max. recommended static load for
								1m length F_{rec} [kN]	2m length F_{rec} [kN]	3m length F_{rec} [kN]
FUS 21/1,5 - 2 m	545117	1.20	1.35	0.8	3.69	0.75	1.80	0.41	0.10	—
FUS 21/1,5 - 3 m	545118	1.20	1.35	0.8	3.69	0.75	1.80	0.41	0.10	—
FUS 21/1,5 - 6 m	545119	1.20	1.35	0.8	3.69	0.75	1.80	0.41	0.10	—
FUS 21/2,0 - 2 m	040391	1.44	1.72	0.97	4.66	0.89	2.27	0.49	0.12	—
FUS 21/2,0 - 3 m	097660	1.44	1.72	0.97	4.66	0.89	2.27	0.49	0.12	0.05
FUS 21/2,0 - 6 m	097661	1.44	1.72	0.97	4.66	0.89	2.27	0.49	0.12	0.05
FUS 21/2,5 - 2 m	092867	1.67	1.99	1.03	5.28	0.93	2.58	0.52	0.13	—
FUS 21/2,5 - 3 m	077349	1.67	1.99	1.03	5.28	0.93	2.58	0.52	0.13	0.06
FUS 21/2,5 - 6 m	077541	1.67	1.99	1.03	5.28	0.93	2.58	0.52	0.13	0.06
FUS 41/1,5 - 2 m	545120	1.80	1.95	4.26	6.03	2.07	2.94	1.56	0.54	—
FUS 41/1,5 - 3 m	545126	1.80	1.95	4.26	6.03	2.07	2.94	1.56	0.54	0.24
FUS 41/1,5 - 6 m	545127	1.80	1.95	4.26	6.03	2.07	2.94	1.56	0.54	0.24
FUS 41/2,0 - 2 m	040390	2.06	2.52	5.33	7.69	2.58	3.75	1.94	0.67	—
FUS 41/2,0 - 3 m	097658	2.06	2.52	5.33	7.69	2.58	3.75	1.94	0.67	0.30
FUS 41/2,0 - 6 m	097659	2.06	2.52	5.33	7.69	2.58	3.75	1.94	0.67	0.30
FUS 41/2,5 - 2 m	092295	2.45	3.00	6.00	8.99	2.85	4.38	2.14	0.76	—
FUS 41/2,5 - 3 m	077347	2.45	3.00	6.00	8.99	2.85	4.38	2.14	0.76	0.34
FUS 41/2,5 - 6 m	077537	2.45	3.00	6.00	8.99	2.85	4.38	2.14	0.76	0.34
FUS 62/2,5 - 6 m	504457	3.27	4.05	17.70	12.90	5.62	6.29	4.22	2.10	0.99
FUS 21D/2,0 - 3 m	504458	2.87	3.44	5.49	9.31	2.61	4.54	1.96	0.69	0.31
FUS 21D/2,0 - 6 m	535531	2.87	3.44	5.49	9.31	2.61	4.54	1.96	0.69	0.31
FUS 41D/2,5 - 6 m	504459	4.89	6.00	35.01	17.90	8.76	8.78	6.58	3.28	1.96
FUS 62D/2,5 - 6 m	504460	6.55	8.09	111.00	25.80	17.90	12.58	13.45	6.72	4.47

Note: Loads based on load case 1

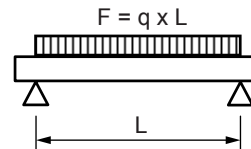
Load case 1



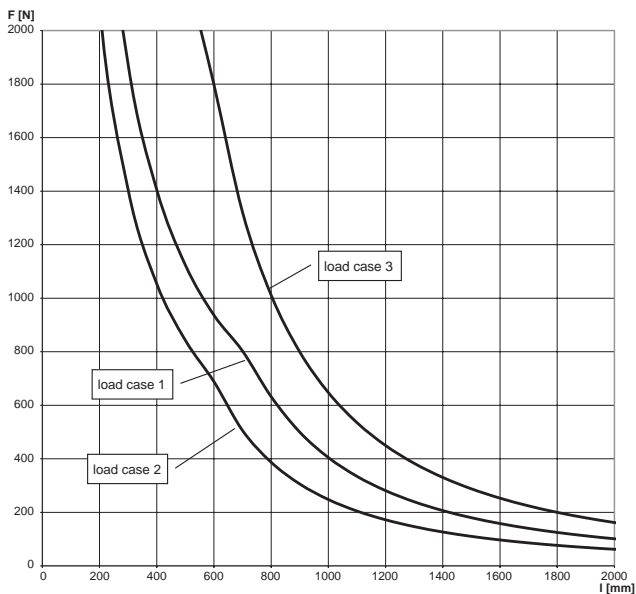
Load case 2



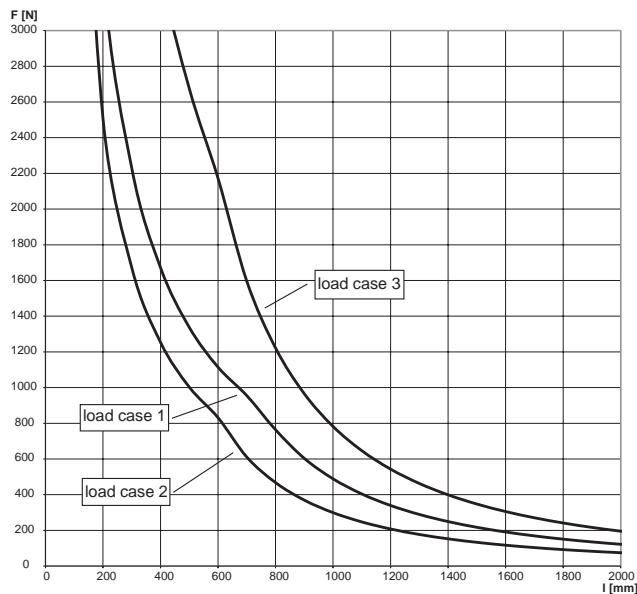
Load case 3



FUS 21 / 1.5

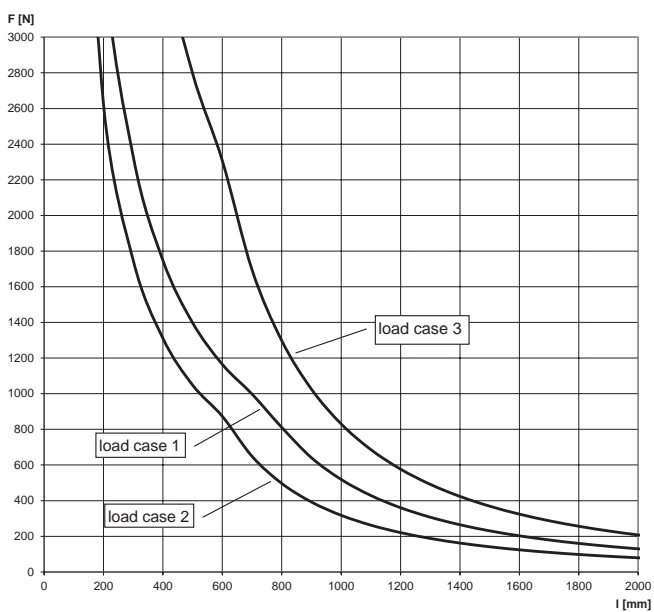


FUS 21 / 2.0

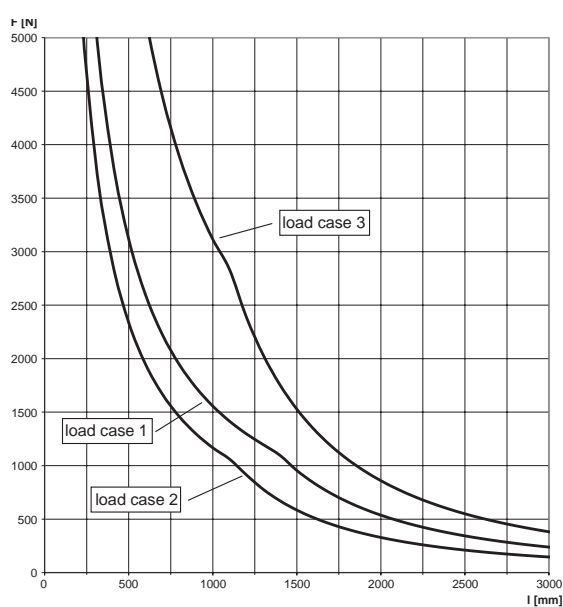


For the load curves, the permissible steel strain $\delta_{adm.} = 188$ N/mm and the maximum deflection under load $L/200$ are not exceeded. Fixings and screw fastenings must be calculated accordingly. The increased yield strength is calculated according to DIN EN 1993-1-3:2010-12, sec. 3.2.2.

FUS 21 / 2.5

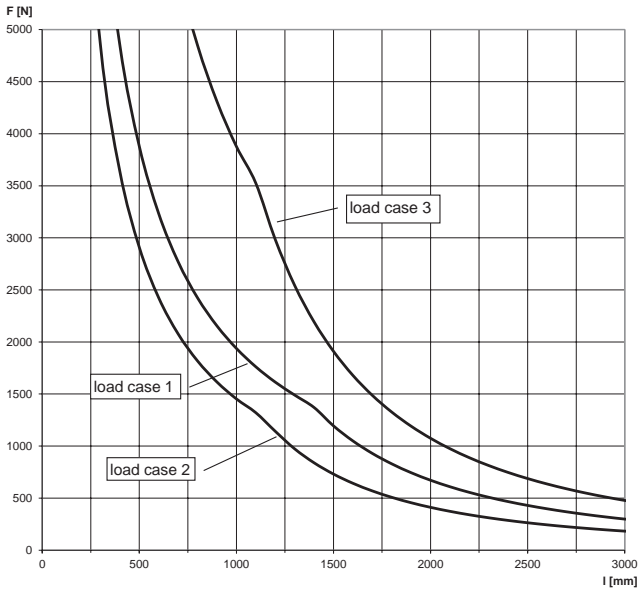


FUS 41 / 1.5

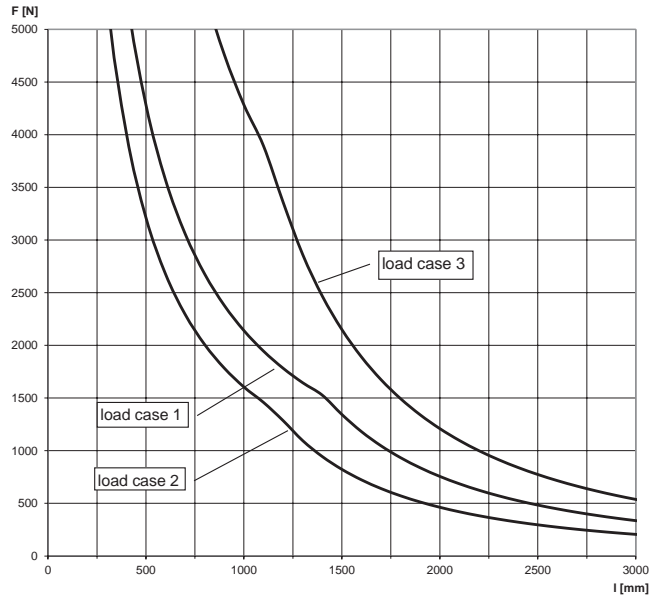


For the load curves, the permissible steel strain $\delta_{adm.} = 188$ N/mm and the maximum deflection under load $L/200$ are not exceeded. Fixings and screw fastenings must be calculated accordingly. The increased yield strength is calculated according to DIN EN 1993-1-3:2010-12, sec. 3.2.2.

FUS 41 / 2.0

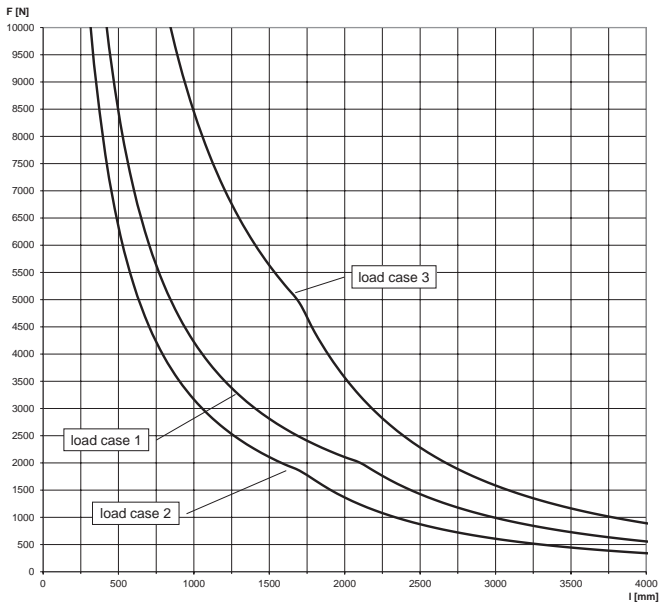


FUS 41 / 2.5

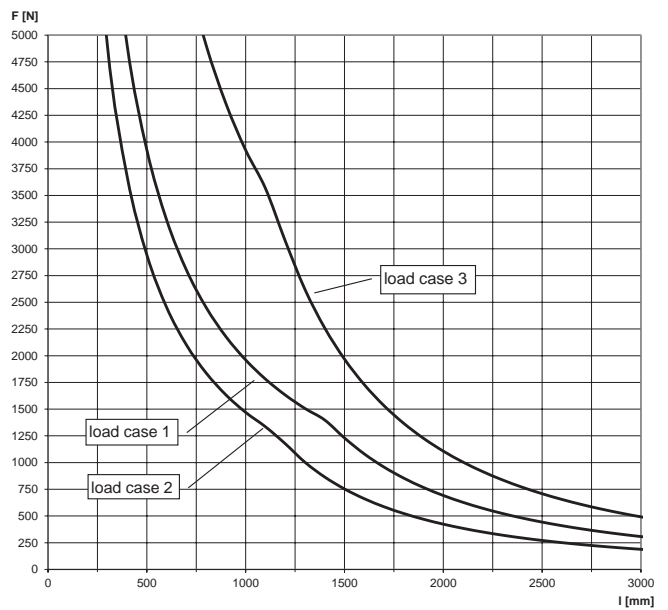


For the load curves, the permissible steel strain $\delta_{adm.} = 188$ N/mm and the maximum deflection under load $L/200$ are not exceeded. Fixings and screw fastenings must be calculated accordingly. The increased yield strength is calculated according DIN EN 1993-1-3:2010-12, sec. 3.2.2.

FUS 62 / 2.5

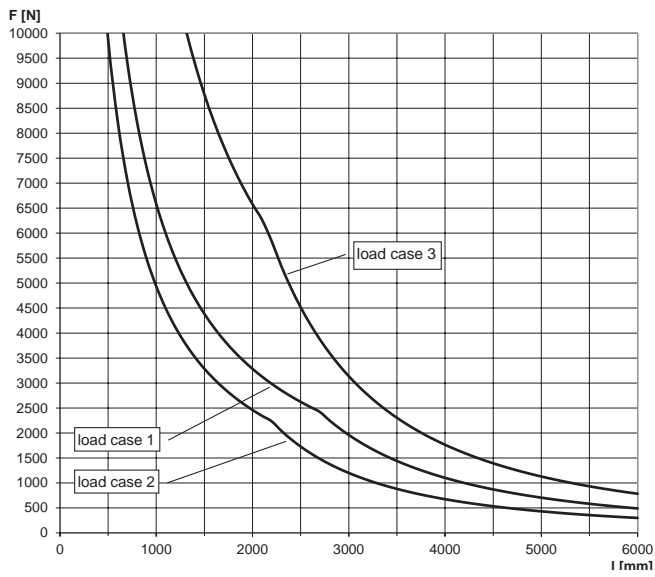


FUS 21D / 2.0

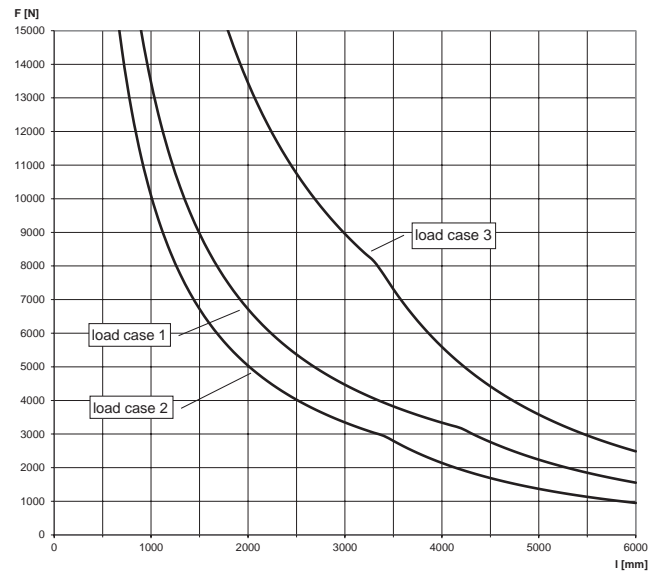


For the load curves, the permissible steel strain $\delta_{adm.} = 188$ N/mm and the maximum deflection under load $L/200$ are not exceeded. Fixings and screw fastenings must be calculated accordingly. The increased yield strength is calculated according DIN EN 1993-1-3:2010-12, sec. 3.2.2.

FUS 41D / 2.5



FUS 62D / 2.5



For the load curves, the permissible steel strain $\delta_{adm.} = 188$ N/mm and the maximum deflection under load $L/200$ are not exceeded. Fixings and screw fastenings must be calculated accordingly. The increased yield strength is calculated according DIN EN 1993-1-3:2010-12, sec. 3.2.2.

Construction element - Channel connector FUF OC and PFUF OC

2c
Channel system FUS



Connector for installation grid



Longitudinal channel connection

APPLICATIONS

- Connection and precise alignment of channel

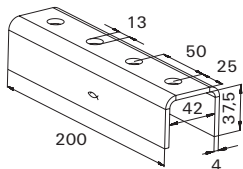
ADVANTAGES/BENEFITS

- The FUF OC connector in combination with FCN Clix P allows a simple and time-saving installation.
- The PFUF OC connector in combination with PFCN allows a simple and time-saving installation.

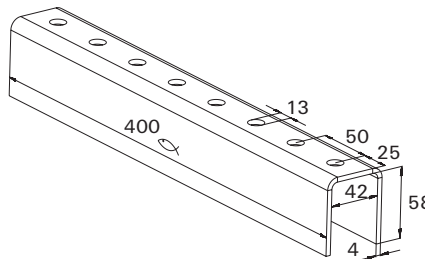
PROPERTIES

- **Material FUF OC:** steel S235 JR (material no. 1.0037) acc. to DIN EN 10025
- **Zinc plating FUF OC:** electro zinc-plated, min. 5 µm
- **Material PFUF OC:** steel DD11 (material no. 1.0332) acc. to DIN EN 10111
- **Zinc plating PFUF OC:** electro zinc-plated acc. DIN 50979, min. 8 µm

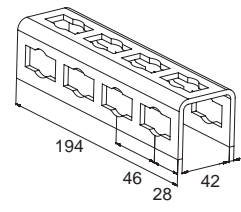
TECHNICAL DATA



FUF OC 41



FUF OC 62



PFUF OC

Item	Art.-No.	Length l [mm]	Sales unit [pcs]		
FUF OC 41	504517	200	20		
FUF OC 62	504518	400	10		
PFUF OC	533743	194	6		

Channel connector for easy preparation of FUS double channels

2c

Channel system FUS



FUS double channel with channel connector

APPLICATIONS

- Easy construction of double channels made from the FUS channel assortment.
- Suitable for FUS channels FUS 41 and FUS 62 with thickness 2,0 and 2,5 mm.
- The connection of two single channels is made with the channel connector inside the channel slots.
- Each double channel has to be equipped with an FDCC at both ends and additional FDCCs in the given installation distance as per load chart.

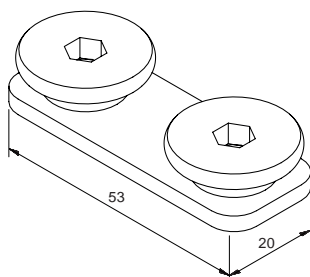
ADVANTAGES/BENEFITS

- Easy connection of single channels back to back to built double channels.
- Simple solution to create individual double channels on job site.
- For dry inside environment.

PROPERTIES

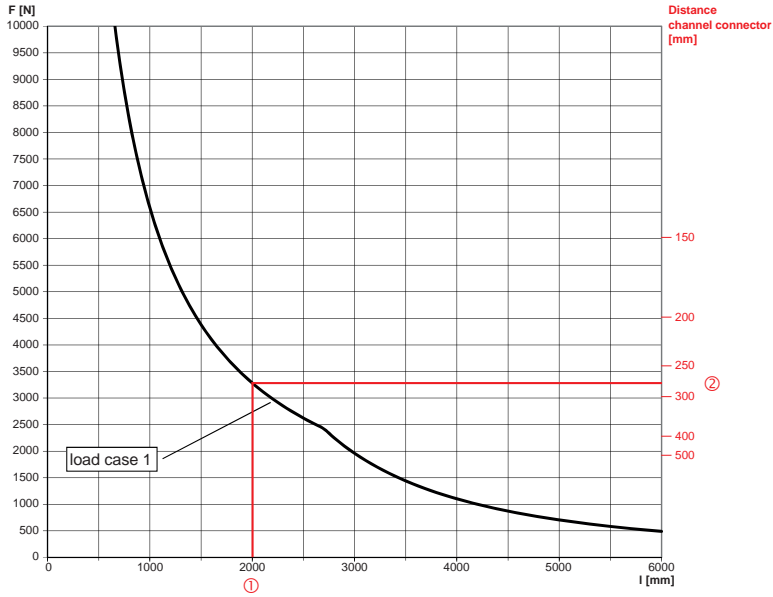
- **Material base plate:** JIS G3131-SPHE (similar to DD13 according to DIN EN 10111, material no.: 1.0335)
- **Material screw:** steel grade 8.8
- **Zinc plating:** electro zinc-plated, min. 5 µm

TECHNICAL DATA



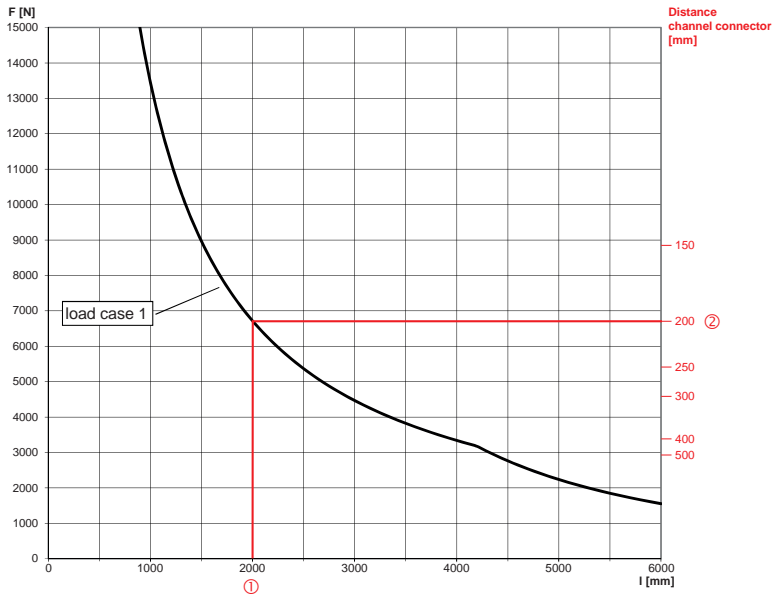
Item	Art.-No.	Thread A	Drive	Tightening torque T_{inst} [Nm]	Sales unit [pcs]
FDCC	546148	M 10	Hexagon socket 5 mm	25	100

FUS 41D / 2.0 - 2.5



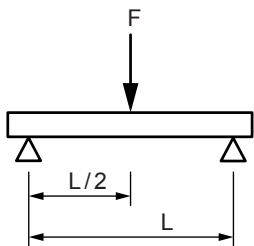
- ① Length of channel, i.e. 2000 mm for loadcase 1 (single load centric)
- ② Distance of channel connector (for intermediate values use the lower value, i.e. 250 mm)

FUS 62D / 2.5



- ① Length of channel, i.e. 2000 mm for loadcase 1 (single load centric)
- ② Distance of channel connector (for intermediate values use the lower value, i.e. 250 mm)

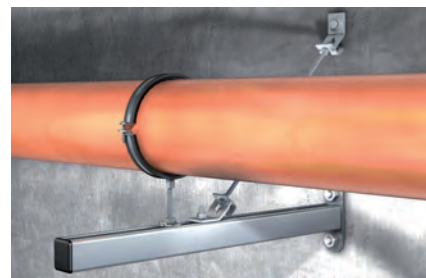
Load case 1



FUS profiles with welded base plate for direct mounting on the base material



Refrigerant pipe clamp on sliding element



Heavy pipe on cantilever

2c

Channel system FUS

APPLICATIONS

- Quick and easy installation of pipelines (e.g. along the wall)

ADVANTAGES/BENEFITS

- The fire inspection report in line with MLAR/EN 13501 guarantees independently tested functional safety.
- The graduated range of lengths allows for an ideal adaptation to the application.
- The arm's solid base plate offers a secure hold for load-bearing construction.
- The base plate's long slots, which are at 90° to one another, allow the arm to be easily aligned.
- The stamped teeth in the channel gives the sliding nuts a secure hold for high shear loads, e.g. for vertical installation.

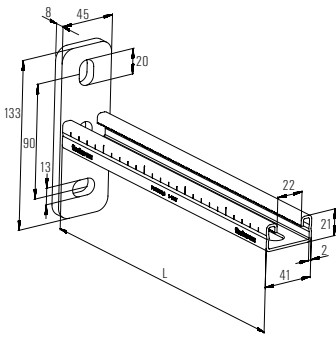
CERTIFICATES



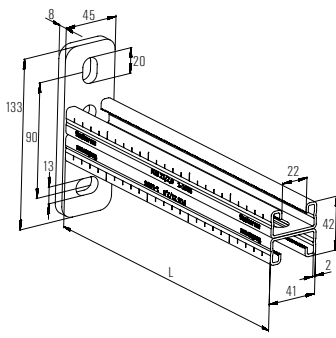
PROPERTIES

- **Material:** steel S235 JR (material no.: 1.0037) acc. to DIN EN 10025
- **Zinc plating:** electro zinc-plated, min. 8 µm

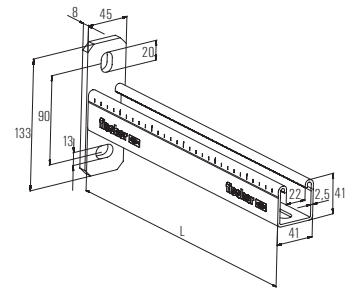
TECHNICAL DATA



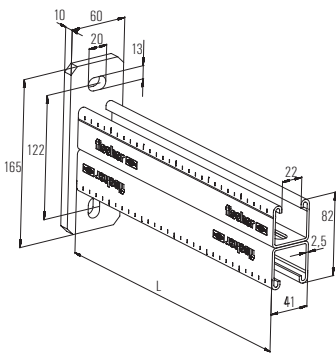
FCA 21



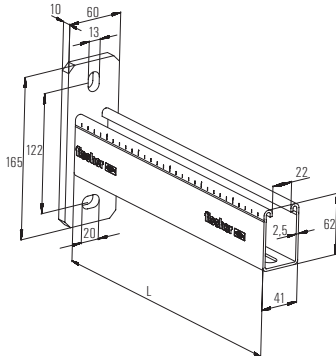
FCA 21D



FCA 41



FCA 41D

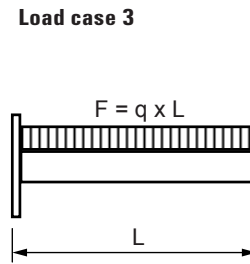
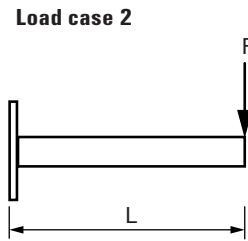
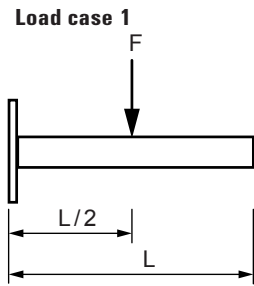


FCA 62

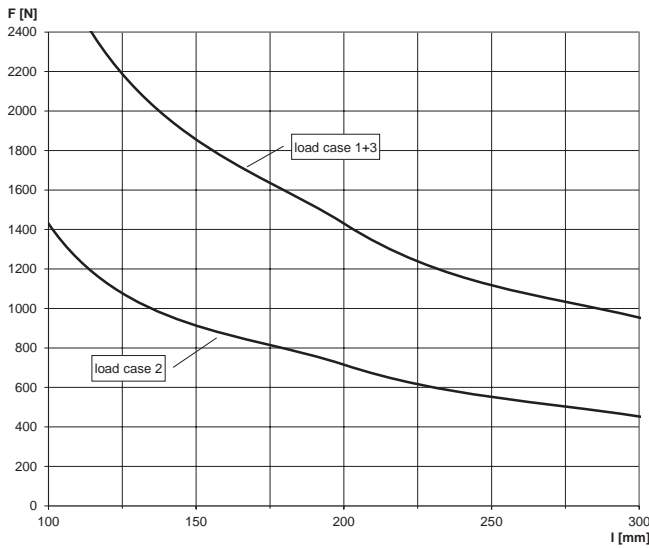
Item	Art.-No.	Fire test report	Profile	Length	Sales unit
				L [mm]	
FCA 21 - 200	537207	—	21/2,0	200	1
FCA 21 - 300	537208	—	21/2,0	300	1
FCA 21 - 450	537209	—	21/2,0	450	1
FCA 41 - 300	077359	X	41/2,5	300	1
FCA 41 - 450	077361	X	41/2,5	450	1
FCA 41 - 600	077363	X	41/2,5	600	1
FCA 41 - 750	077365	X	41/2,5	750	1
FCA 62 - 1000	504315	X	62/2,5	1000	1
FCA 21D - 300	536978	—	21D/2,0	300	1
FCA 21D - 450	536979	—	21D/2,0	450	1
FCA 21D - 600	536980	—	21D/2,0	600	1
FCA 41D - 750	504317	—	41D/2,5	750	1
FCA 41D - 1000	504319	—	41D/2,5	1000	1

LOADS

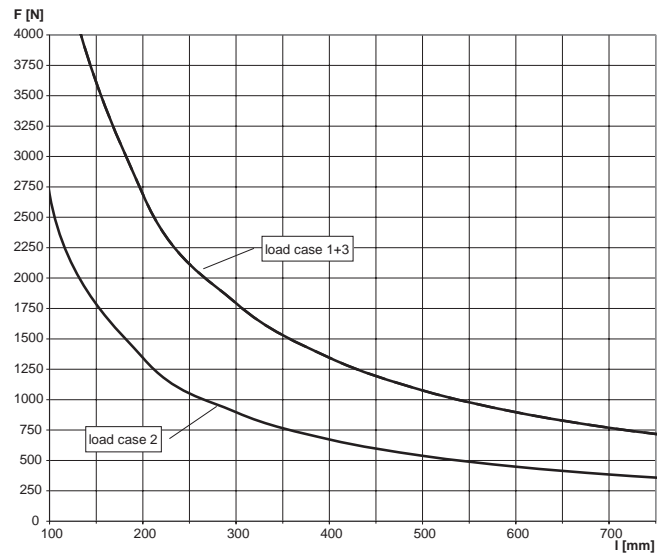
Item	Art.-No.	Max. recommended static load load case 1	Max. recommended static load load case 2	Max. recommended static load load case 3
		F_{rec} [kN]	F_{rec} [kN]	F_{rec} [kN]
FCA 21 - 200	537207	1.43	0.72	1.43
FCA 21 - 300	537208	0.95	0.45	0.95
FCA 21 - 450	537209	0.65	0.21	0.65
FCA 41 - 300	077359	1.8	0.9	1.8
FCA 41 - 450	077361	1.2	0.6	1.2
FCA 41 - 600	077363	0.9	0.45	0.9
FCA 41 - 750	077365	0.72	0.36	0.72
FCA 62 - 1000	504315	1.25	0.62	1.25
FCA 21D - 300	536978	1.83	0.92	1.83
FCA 21D - 450	536979	1.24	0.62	1.24
FCA 21D - 600	536980	0.92	0.46	0.92
FCA 41D - 750	504317	2.5	1.25	2.5
FCA 41D - 1000	504319	1.9	0.93	1.9



FCA 21

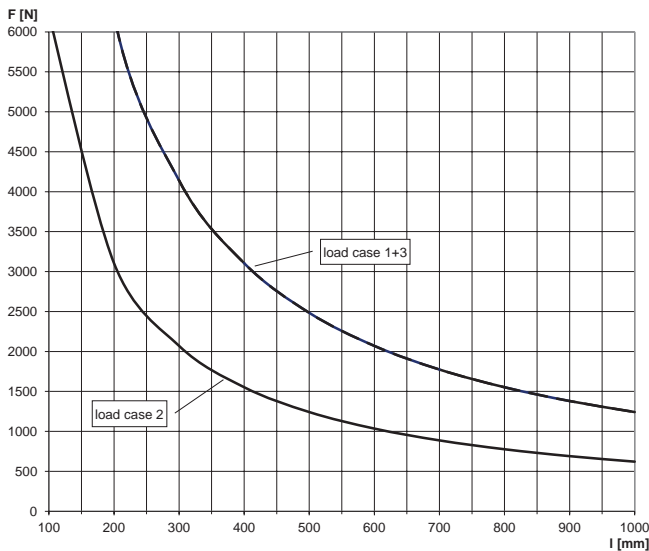


FCA 41



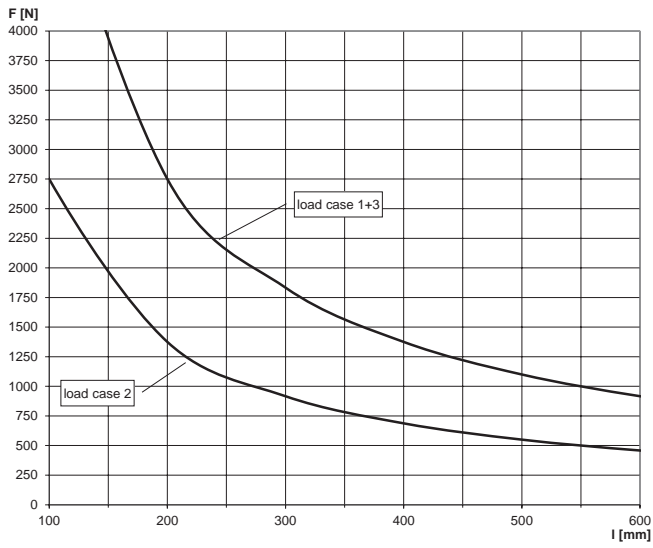
For the load curves, the permissible steel strain $\delta_{adm.} = 160$ N/mm and the maximum deflection under load $L/150$ are not exceeded. Load values of the cantilever arms under consideration of the load capacity of the base plate. Fixings and screw fastenings must be calculated accordingly.

FCA 62

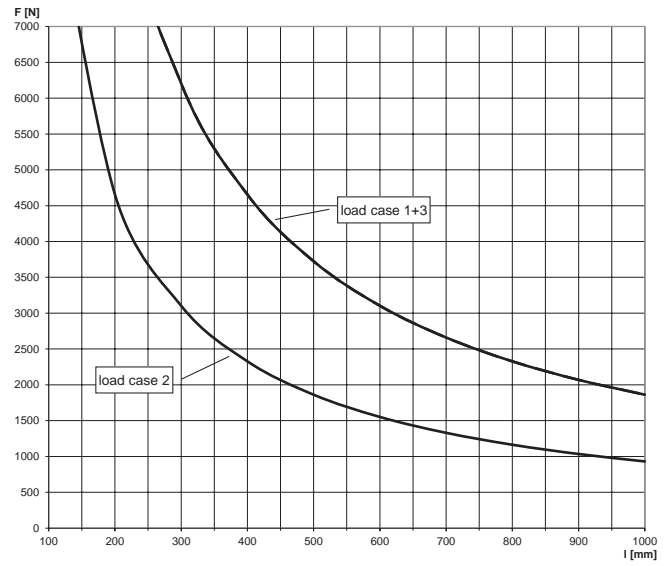


For the load curves, the permissible steel strain $\delta_{adm.} = 160$ N/mm and the maximum deflection under load $L/150$ are not exceeded. Load values of the cantilever arms under consideration of the load capacity of the base plate. Fixings and screw fastenings must be calculated accordingly.

FCA 21D



FCA 41D



For the load curves, the permissible steel strain $\delta_{adm.} = 160 \text{ N/mm}$ and the maximum deflection under load $L/150$ are not exceeded. Load values of the cantilever arms under consideration of the load capacity of the base plate. Fixings and screw fastenings must be calculated accordingly.

The large cantilever arm for heavy loads



Upright pipe on cantilever arm



Sliding element on cantilever

APPLICATIONS

- Quick and easy installation of pipelines with heavy loads, (e.g. along the wall)

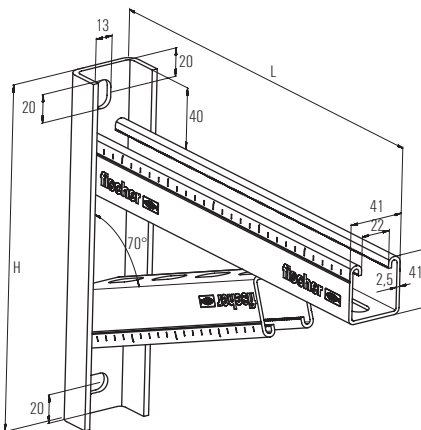
ADVANTAGES/BENEFITS

- The robust construction, consisting of a basic and a support profile, allows for the bearing of heavy loads.
- The graduated range of lengths allows for an ideal adaptation to the application.
- The base plate's long slots, which are at 90° to one another, allow the arm to be easily aligned.
- The stamped teeth in the channel gives the sliding nuts a secure hold for high shear loads, e.g. for vertical installation.

PROPERTIES

- **Material:** steel S235 JR (material no.: 1.0037) acc. to DIN EN 10025
- **Zinc plating:** electro zinc-plated, min. 8 µm

TECHNICAL DATA

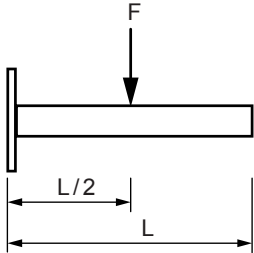


Item	Art.-No.	Length L ₁	Height H	Sales unit
		[mm]	[mm]	[pcs]
FCAM 300	504477	300	246	1
FCAM 400	504479	400	270	1
FCAM 500	504480	500	284	1
FCAM 600	504482	600	319	1
FCAM 700	505460	700	343	1

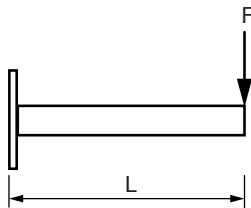
LOADS

Item	Art.-No.	Max. recommended static load load case 1 F_{rec} [kN]	Max. recommended static load load case 2 F_{rec} [kN]	Max. recommended static load load case 3 F_{rec} [kN]
FCAM 300	504477	7.0	3.7	7.0
FCAM 400	504479	7.5	2.8	7.5
FCAM 500	504480	6.5	2.3	6.5
FCAM 600	504482	6.0	1.9	6.0
FCAM 700	505460	5.5	1.3	5.5

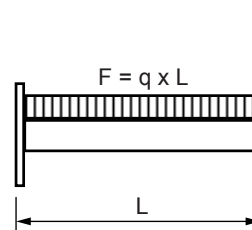
Load case 1



Load case 2



Load case 3



COVER CAP FEC



FEC 21 B



FEC 41 B



FEC 62 B

Item	Art.-No.	For profile	Material	Sales unit [pcs]
FEC 21 B	077357	41/21	polyethylene, black	100
FEC 41 B	077355	41/41	polyethylene, black	100
FEC 62 B	505551	41/62	polyethylene, black	100

Push-through connector for the quickest and easiest connection of FUS profiles



Cross connection on channel



Cantilever with saddle flange

2c

Channel system FUS

APPLICATIONS

- Connection of FUS channels and construction elements by push-through principle
- Universal fitting for all push-through connection elements and FUS profiles

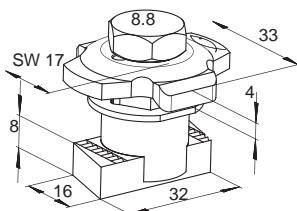
ADVANTAGES/BENEFITS

- The correct fit of the push-through connector and connection elements allows the quickest and easiest channel connection.
- The spring effect of the PFCN in set state guarantees a simple and precise positioning in the channel.
- The teeth on the push through connector provide a secure hold in the FUS channel.
- Installation by rotating 90° enables generally the post-installation in set channels.

PROPERTIES

- **Material Cap:** steel DD11 (material no. 1.0332) acc. to DIN EN 10111
- **Material Sliding nut:** steel S420MC, EN 10149-2
- **Material Hexagon screw:** 8.8 M10-28, DIN 933
- **Material Plastic parts:** polypropylene
- **Zinc plating:** electro zinc-plated acc. to DIN 50979, min. 8 µm

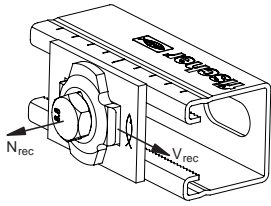
TECHNICAL DATA



Item	Art.-No.	Thread	Sales unit		
PFCN 41	533739	A M 10	[pcs] 50		



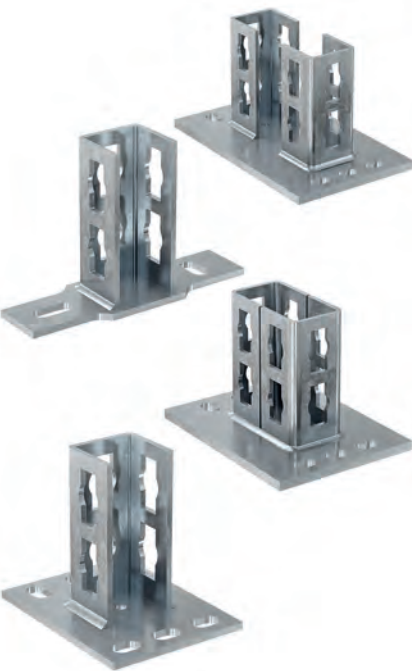
LOADS



Item	Art.-No.	Max. recommended tension load for FUS 1,5 mm [kN]	Max. recommended tension load for FUS 2,0mm N_{rec} [kN]	Max. recommended tension load for FUS 2,5mm N_{rec} [kN]	Max. recommended shear load for FUS 1,5 mm [kN]	Max. recommended shear load for FUS 2,0 mm [kN]	Max. recommended shear load for FUS 2,5 mm [kN]	Tightening torque for screw grade ≥ 8.8 T_{inst} [Nm]
PFCN 41	533739	4.0	5.0	7.0	4.0	4.5	5.0	40

Note: Load values are based on the PFCN 41 push-through connector.

Construction element - Saddle flange PSF



APPLICATIONS

- Stable construction of connections between channels and building structures for the push-through system

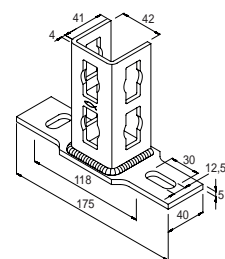
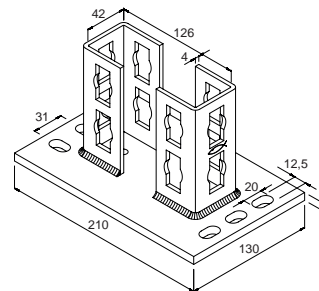
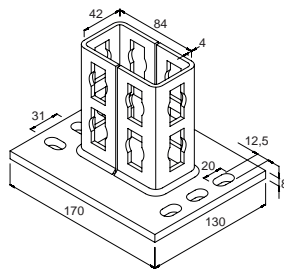
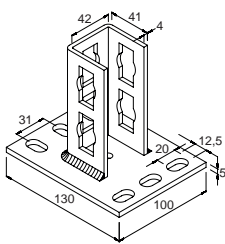
ADVANTAGES/BENEFITS

- The perfect-fit saddle allows a simple installation by inserting the mounting channels
- The saddle flange's stable design offers a secure hold for a load-bearing construction

PROPERTIES

- Material:** steel DD11 (material no. 1.0332) acc. to DIN EN 10111
- Zinc plating:** electro zinc-plated acc. to DIN 50979, min. 8 µm

TECHNICAL DATA



PSF 41

PSF 82

PSF 124

PSFQ 41

Item	Art.-No.	For profile	Sales unit [pcs]		
PSF 41	533740	21D, 41, 62	10		
PSF 82	533741	41 D	5		
PSF 124	533742	62 D	5		
PSFQ 41	535266	41	10		

LOADS

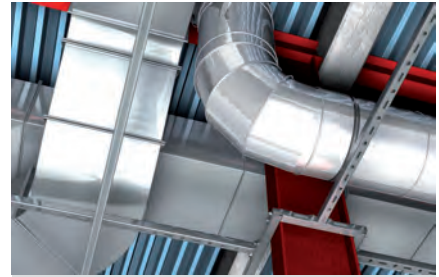
see Push-through connector PFCN

Construction element - Universal bracket PUWS

Channel system FUS 2c



3D-frame constructions



Support systems for ventilation

APPLICATIONS

- Reinforcement of supporting structures for the push-through system

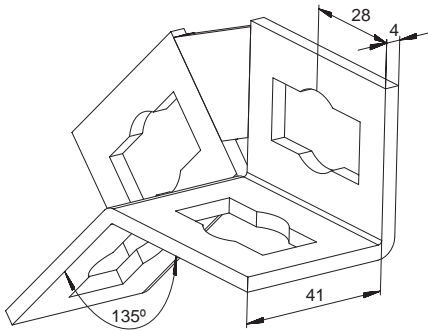
ADVANTAGES/BENEFITS

- The universal brackets for the connection of FUS channels gives a supporting structure, great stability and safety (we recommend using in pairs).

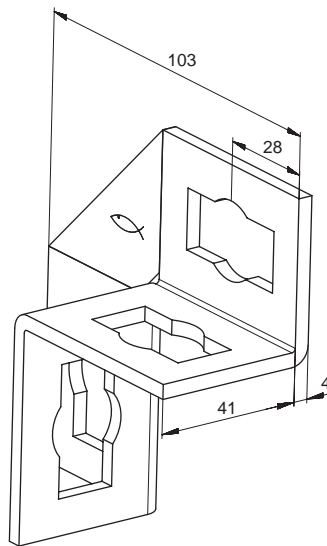
PROPERTIES

- Material:** steel DD11 (material no. 1.0332) acc. to DIN EN 10111
- Zinc plating:** electro zinc-plated acc. to DIN 50979, min. 8 µm

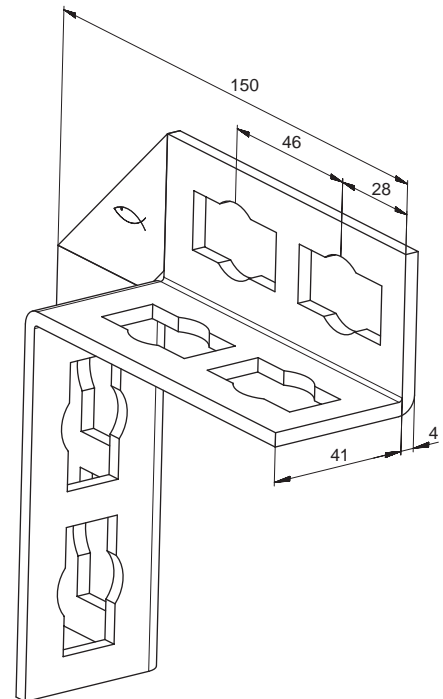
TECHNICAL DATA



PUWS 2 x 2/135°



PUWS 2 x 2



PUWS 4 x 4

Item	Art.-No.	Sales unit [pcs]			
PUWS 2 x 2/135°	533731	10			
PUWS 2 x 2	533733	10			
PUWS 4 x 4	533734	8			

LOADS

see Push-through connector PFCN

Construction element - Angle bracket PWK



APPLICATIONS

- Reinforcement in the push-through system and for lateral fixing to the substrate

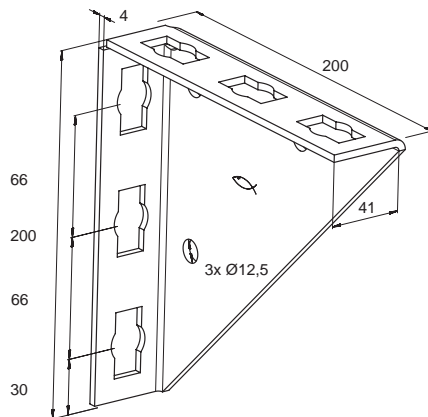
ADVANTAGES/BENEFITS

- The stable angle bracket ensures a supporting structure with a very high level of stability and safety.

PROPERTIES

- Material:** steel DD11 (material no. 1.0332) acc. to DIN EN 10111
- Zinc plating:** electro zinc-plated acc. to DIN 50979, min. 8 μm

TECHNICAL DATA



PWK 200/200

Item	Art.-No.	Sales unit [pcs]			
PWK 200/200	533744	15			

LOADS

see Push-through connector PFCN

Construction element – Variable bracket PVB

2c
Channel system FUS



Massiv bracing of cantilever arm

APPLICATIONS

- Variable angular positioning of profile support in the push-through system
- Bracket for installation with FUS channels from 0° to 180°

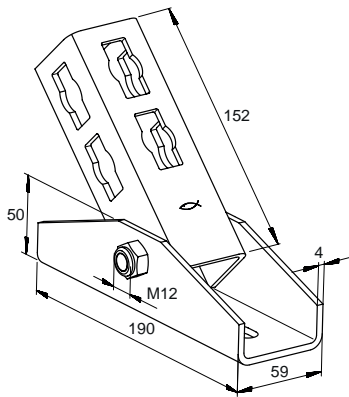
ADVANTAGES/BENEFITS

- The design of the variable bracket PVB enables the fixation of mounting channels at an angle of 0° to 180°.
- The holes in the connecting element make it compatible with the push-through connector PFCN.
- The punched holes in the base plate allow the direct fixing onto a wall, ceiling or onto a mounting channel by screw or anchor.

PROPERTIES

- **Material:** steel DD11 (material no. 1.0332) acc. to DIN EN 10111
- **Zinc plating:** electro zinc-plated acc. to DIN 50979, min. 8 µm

TECHNICAL DATA



Item	Art.-No.	Sales unit			
		[pcs]			
PVB	534960	5			

LOADS

see Push-through connector PFCN

Construction elements – Bracing elements PSAE 300 and 500



APPLICATIONS

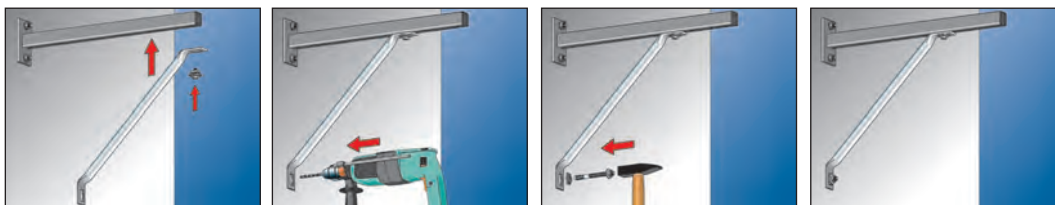
- Elements for stable cantilever constructions made of FUS channels or FCA cantilever arms with push-through connector PFCN

ADVANTAGES/BENEFITS

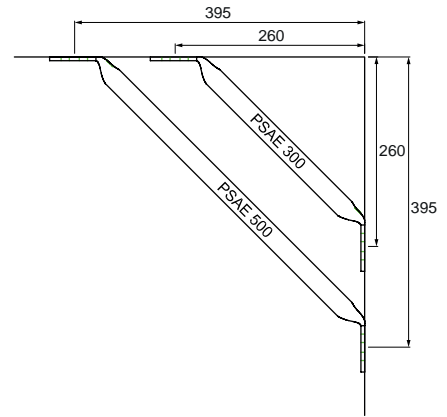
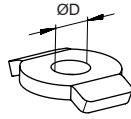
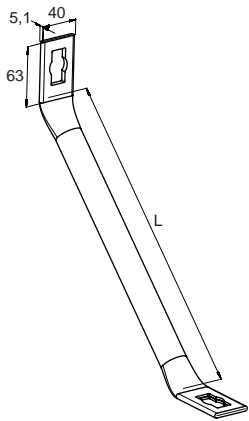
- The stable bracing element PSAE gives the supporting structure very high stability and safety.
- The holes in the base plate of the element make it compatible with the push-through connector PFCN.
- An additional PU-washer allows for fixing of elements with formholes directly onto a wall or ceiling by anchor or screw.

PROPERTIES

- **Material:** steel P235TR2 (material no. 1.0255) acc. to EN 10216-1
- **Zinc plating:** electro zinc-plated acc. to DIN 50979, min. 8 µm



TECHNICAL DATA



PSAE zI

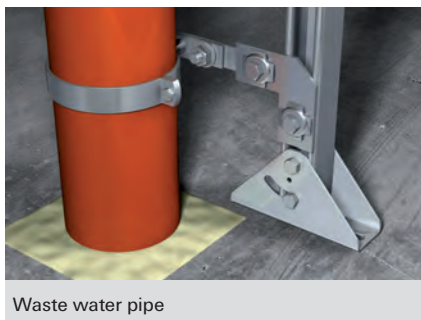
PU

Item	Art.-No.	Length	Sales unit		
		L [mm]	[pcs]		
PSAE 300 Brace element	535269	300	10		
PSAE 500 Brace element	535270	500	10		
PU 10,5 Washer	535271	–	50		
PU 12,5 Washer	535272	–	50		

LOADS

see Push-through connector PFCN

Construction elements - Brackets PFFF



2c

Channel system FUS

APPLICATIONS

- Arrangement of simple channel constructions in the push-through system

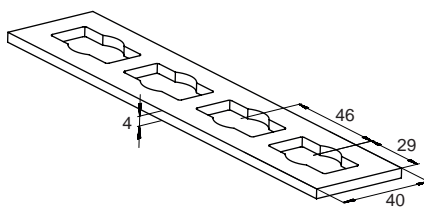
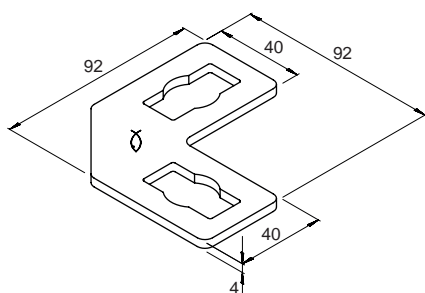
ADVANTAGES/BENEFITS

- The holes in the connecting elements make them compatible with the push-through connector PFCN.

PROPERTIES

- **Material:** steel DD11 (material no. 1.0332) acc. to DIN EN 10111
- **Zinc plating:** electro zinc-plated acc. to DIN 50979, min. 8 µm

TECHNICAL DATA



PFFF 2L

PFFF 4I

Item	Art.-No.	Sales unit			
			[pcs]		
PFFF 2L	533745		20		
PFFF 4I	535268		25		

LOADS

see Push-through connector PFCN

Construction elements - Brackets PFAF

Channel system FUS



APPLICATIONS

- Arrangement of simple channel constructions in the push-through system

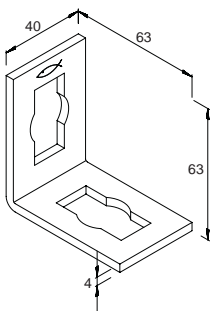
ADVANTAGES/BENEFITS

- The holes in the connecting elements make them compatible with the push-through connector PFCN.

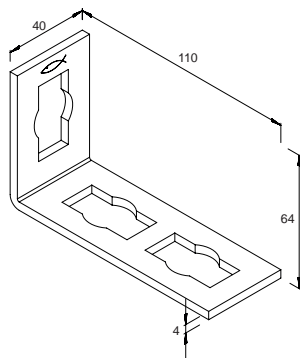
PROPERTIES

- **Material:** steel DD11 (material no. 1.0332) acc. to DIN EN 10111
- **Zinc plating:** electro zinc-plated acc. to DIN 50979, min. 8 µm

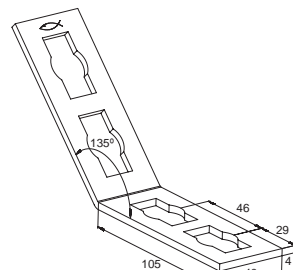
TECHNICAL DATA



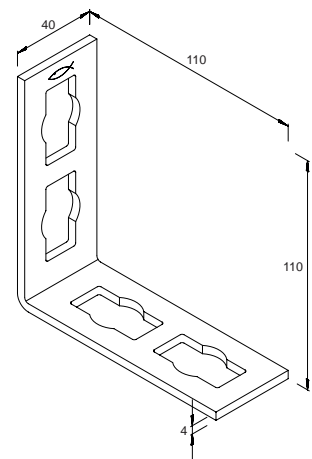
PFAF 2



PFAF 3



PFAF 4/135°



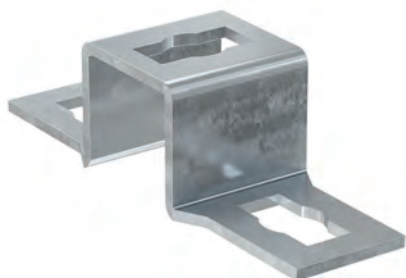
PFAF 4

Item	Art.-No.	Sales unit			
			[pcs]		
PFAF 2	533735		25		
PFAF 3	533736		25		
PFAF 4/135°	533737		20		
PFAF 4	535267		25		

LOADS

see Push-through connector PFCN

Construction elements - Brackets PFUF



Cross connection on channel



Cross connection on channel

APPLICATIONS

- Connecting elements for multi-dimensional channel constructions

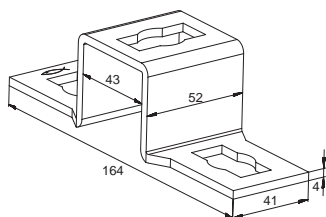
ADVANTAGES/BENEFITS

- The various shapes of the connecting elements offer flexibility during the installation of channel constructions.
- The holes in the connecting elements make them compatible with the push-through channel nut PFCN.

PROPERTIES

- **Material:** steel DD11 (material no. 1.0332) acc. to DIN EN 10111
- **Zinc plating:** electro zinc-plated acc. to DIN 50979, min. 8 µm

TECHNICAL DATA



PFUF 41

Item	Art.-No.	Sales unit			
		[pcs]			
PFUF 41	533738	25			

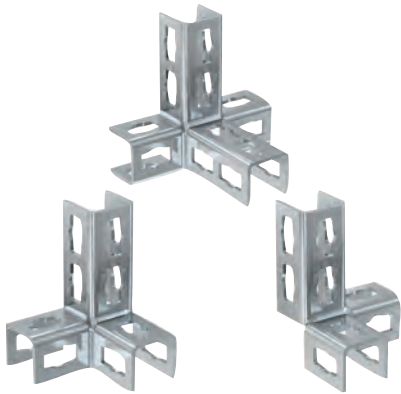
LOADS

see Push-through connector PFCN

Construction elements - Bracket PFUF 3D and 4D

Channel system FUS

2c



APPLICATIONS

- Element for multidimensional constructions with FUS channels connected by the push-through connector PFCN

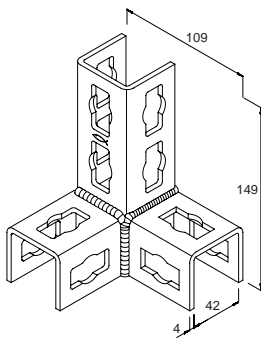
ADVANTAGES/BENEFITS

- The 3D PFUF construction elements enable multidimensional constructions in a very short time.
- The holes in the construction elements make them compatible with the push-through connector PFCN.
- The different shapes of the construction elements generate a high flexibility for channel constructions.

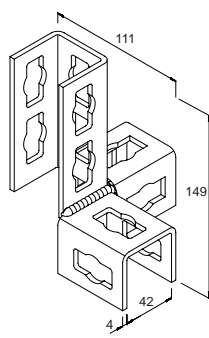
PROPERTIES

- **Material:** steel DD11 (material no. 1.0332) acc. to DIN EN 10111
- **Zinc plating:** electro zinc-plated acc. to DIN 50979, min. 8 µm

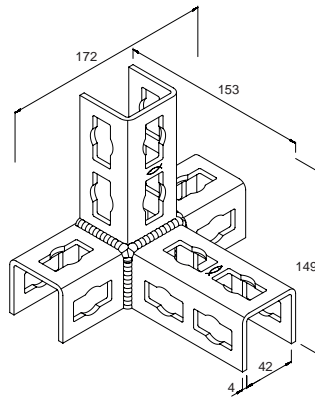
TECHNICAL DATA



PFUF 3DL



PFUF 3DR



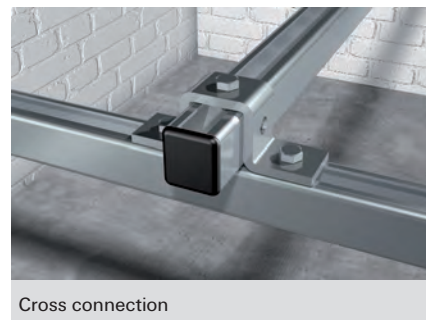
PFUF 4D

Item	Art.-No.	Sales unit			
			[pcs]		
PFUF 3DL	535273		10		
PFUF 3DR	535274		10		
PFUF 4D	535275		10		

LOADS

see Push-through connector PFCN

Channel nut for quick and easy fixing in FUS profiles



APPLICATIONS

- FCN Clix P: connection of FUS channels and fixtures
- FCN Clix M: connection of pipe clamps to FUS channel under the use of threaded rods

ADVANTAGES/BENEFITS

- The sliding nut design enables a quick and easy setting in the channel.
- The spring effect of the plastic clasp guarantees simple and precise positioning in the channel.
- The FCN Clix P's flat plastic mounting with wings offers a good hold and a convenient mounting.
- The teeth on the sliding nut provide a secure hold in the FUS channel.
- Installation by rotating 90° enables post-installation in installed channel.

CERTIFICATES

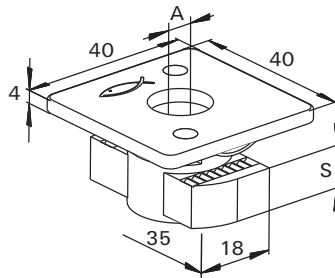
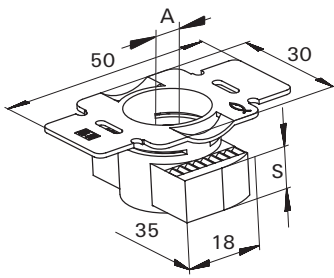


PROPERTIES

- **Material:** steel S235 JR (material no. 1.0037) acc. to DIN EN 10025, plastic Nylon PA6
- **Zinc plating:** electro zinc-plated, min. 5 µm



TECHNICAL DATA

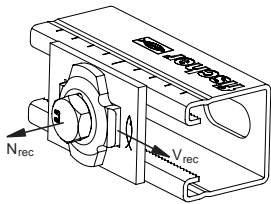


FCN Clix P

FCN Clix M

Item	Art.-No.	Fire test report	Thread	Thickness	Sales unit
			A	S [mm]	
FCN Clix P 6	504326	—	M 6	6	100
FCN Clix P 8	504327	—	M 8	6	100
FCN Clix P 10	504329	X	M 10	8	100
FCN Clix P 12	504331	X	M 12	9.5	100
FCN Clix M 6	504344	—	M 6	6	100
FCN Clix M 8	504345	—	M 8	6	100
FCN Clix M 10	504346	X	M 10	8	100
FCN Clix M 12	504347	X	M 12	9.5	100

LOADS



Item	Art.-No.	Max. recommended tension load for FUS 1,5 mm	Max. recommended tension load for FUS 2,0mm	Max. recommended tension load for FUS 2,5mm	Max. recommended shear load for FUS 1,5 mm	Max. recommended shear load for FUS 2,0/2,5 mm	Tightening torque for screw grade ≥ 8.8	Tightening torque for screw grade ≥ 4.6
		N_{rec} [kN]	N_{rec} [kN]	N_{rec} [kN]	V_{rec} [kN]	V_{rec} [kN]	T_{inst} [Nm]	T_{inst} [Nm]
FCN Clix P 6	504326	2.5	3.0	3.0	1.0	1.0	10	—
FCN Clix P 8	504327	3.0	4.0	4.0	1.5	2.0	20	—
FCN Clix P 10	504329	4.0	5.0	8.0	2.0	2.5	40	—
FCN Clix P 12	504331	4.0	5.0	8.0	2.0	3.0	50	—
FCN Clix M 6	504344	—	3.0	3.0	—	—	—	5
FCN Clix M 8	504345	—	4.0	4.0	—	—	—	10
FCN Clix M 10	504346	—	5.0	8.0	—	—	—	15
FCN Clix M 12	504347	—	5.0	8.0	—	—	—	20

Hammer-head bolt for quick and easy fixing in FUS profiles



Leightweight installation on cantilever



Bracings with UHRS

APPLICATIONS

- Connection of pipe clamps to the channel

ADVANTAGES/BENEFITS

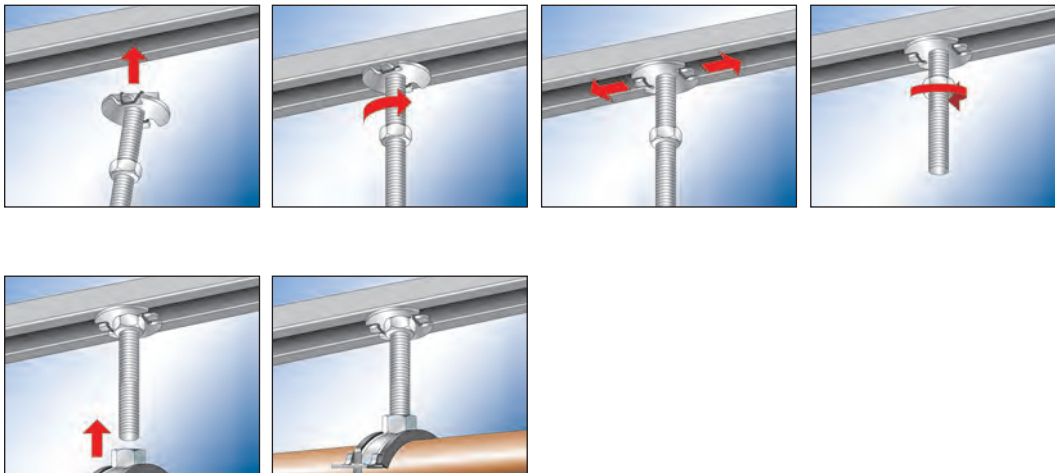
- The hammer-head nut design for a quick and easy setting in the channel.
- The spring effect of the plastic bands guarantees simple and precise positioning in the channel.
- Installation by rotating 90° enables post-installation in installed channel.

PROPERTIES

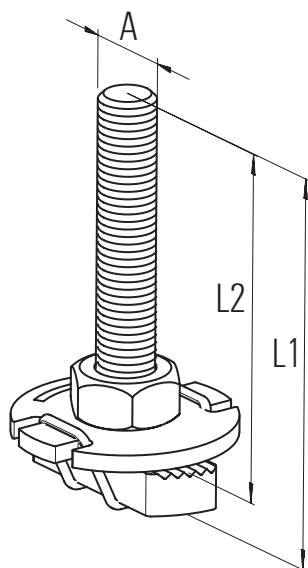
- **Material washer:** steel DC01-C490 (material no.1.0330) acc. to DIN EN 10139
- **Hammer head bolt:** resistance class 8.8
- **Nut DIN 934:** resistance class min. 4
- **Zinc plating:** electro zinc-plated, min. 5 µm

2c

Channel system FUS



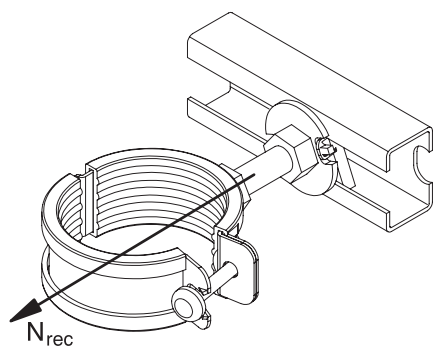
TECHNICAL DATA



2c
Channel system FUS

Item	Art.-No.	Thread A	Length L ₁ [mm]	Length L ₂ [mm]	Sales unit [pcs]
FHS CLIX S 8 x 30	020914	M 8	36	30	50
FHS CLIX S 8 x 40	020915	M 8	46	40	50
FHS CLIX S 8 x 60	020916	M 8	66	60	50
FHS CLIX S 10 x 30	020917	M 10	37	30	50
FHS CLIX S 10 x 40	020918	M 10	47	40	50
FHS CLIX S 10 x 60	020919	M 10	67	60	50
FHS CLIX S 12 x 30	020969	M 12	38	30	50
FHS CLIX S 12 x 40	047316	M 12	48	40	50
FHS CLIX S 12 x 60	504320	M 12	68	60	50

LOADS



Item	Art.-No.	Max. recommended tension load for FUS 1,5 mm N _{rec} [kN]	Max. recommended tension load for FUS 2,0 mm N _{rec} [kN]	Max. recommended tension load for FUS 2,5 mm N _{rec} [kN]	Tightening torque T _{inst} [Nm]
FHS CLIX S 8 x 30	020914	3.0	4.0	4.0	5
FHS CLIX S 8 x 40	020915	3.0	4.0	4.0	5
FHS CLIX S 8 x 60	020916	3.0	4.0	4.0	5
FHS CLIX S 10 x 30	020917	3.0	4.0	5.0	10
FHS CLIX S 10 x 40	020918	3.0	4.0	5.0	10
FHS CLIX S 10 x 60	020919	3.0	4.0	5.0	10
FHS CLIX S 12 x 30	020969	3.0	4.0	5.0	10
FHS CLIX S 12 x 40	047316	3.0	4.0	5.0	10
FHS CLIX S 12 x 60	504320	3.0	4.0	5.0	10

Hammer-head bolt for easy fixing in FUS profiles



Leightweight installation on cantilever

APPLICATIONS

- Connection of pipe clamps to the channel

ADVANTAGES/BENEFITS

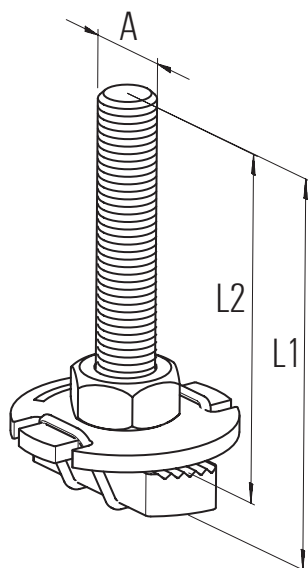
- The hammer-head nut design for an easy setting in the channel.
- Installation by rotating 90° enables post-installation in installed channel.

PROPERTIES

- **Material washer:** steel acc. to DIN EN 10139
- **Hammer head bolt:** steel with min. 400 N/mm²
- **Material nut:** strength category 4
- **Zinc plating:** electro zinc-plated, min. 5 µm

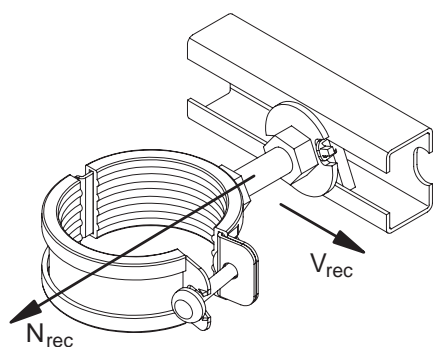


TECHNICAL DATA



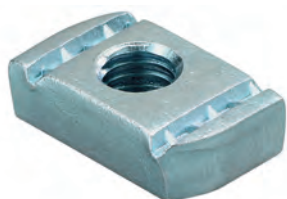
Item	Art.-No.	Thread	Length L ₁	Length L ₂	Sales unit
		A	[mm]	[mm]	[pcs]
FCSN M 8 x 30	092960	M 8	36	30	50
FCSN M 8 x 40	092961	M 8	46	40	50
FCSN M 8 x 50	093354	M 8	56	50	50
FCSN M 8 x 60	093355	M 8	66	60	50
FCSN M 10 x 30	093360	M 10	38	30	50
FCSN M 10 x 40	093361	M 10	48	40	50
FCSN M 10 x 50	093362	M 10	58	50	50
FCSN M 10 x 60	093363	M 10	68	60	50
FCSN M 12 x 30	093366	M 12	39	30	50
FCSN M 12 x 40	093367	M 12	49	40	50

LOADS



Item	Art.-No.	Max. recommended tension load for FUS 2,0 mm	Max. recommended tension load for FUS 2,5 mm	Tightening torque
		N _{rec} [kN]	N _{rec} [kN]	T _{inst} [Nm]
FCSN M 8 x 30	092960	4.0	4.0	5
FCSN M 8 x 40	092961	4.0	4.0	5
FCSN M 8 x 50	093354	4.0	4.0	5
FCSN M 8 x 60	093355	4.0	4.0	5
FCSN M 10 x 30	093360	4.0	5.0	10
FCSN M 10 x 40	093361	4.0	5.0	10
FCSN M 10 x 50	093362	4.0	5.0	10
FCSN M 10 x 60	093363	4.0	5.0	10
FCSN M 12 x 30	093366	4.0	5.0	10
FCSN M 12 x 40	093367	4.0	5.0	10

Connector - Channel nut FCN



2c

Channel system FUS

APPLICATIONS

- Simple hammer-head nut for installation in FUS channels
- The FCN is suitable for the connection of different fixtures and pipe clamps with the channel

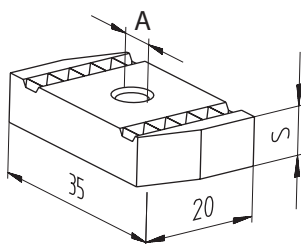
ADVANTAGES/BENEFITS

- The teeth on the sliding nut provide a secure hold in the FUS channel.

PROPERTIES

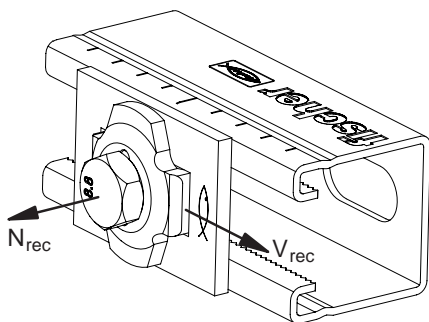
- **Material:** steel with min. tensile strength of 415 N/mm²
- **Zinc plating:** electro zinc-plated, min. 5 µm

TECHNICAL DATA



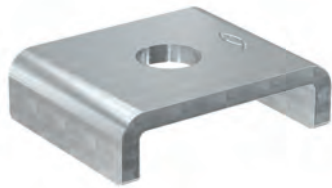
Item	Art.-No.	Thread	Thickness	Sales unit
		A	S [mm]	[pcs]
FCN 6	077405	M 6	6	100
FCN 8	077407	M 8	6	100
FCN 10	077409	M 10	8	100
FCN 12	077411	M 12	9	100

LOADS



Item	Art.-No.	Max. recommended tension load for FUS 1,5 mm	Max. recommended tension load for FUS 2,0 mm	Max. recommended tension load for FUS 2,5 mm	Max. recommended shear load for FUS 1,5 mm	Max. recommended shear load for FUS 2,0/2,5 mm	Tightening torque for screw grade ≥ 8.8
		N _{rec} [kN]	N _{rec} [kN]	N _{rec} [kN]	V _{rec} [kN]	V _{rec} [kN]	T _{inst} [Nm]
FCN 6	077405	2.5	3.0	3.0	1.0	1.0	10
FCN 8	077407	3.0	4.0	4.0	1.5	2.0	20
FCN 10	077409	4.0	5.0	8.0	2.0	2.5	40
FCN 12	077411	4.0	5.0	8.0	2.0	2.5	50

Connector - Channel washer HK



Lateral pipe mounting at channel



Channel installation at wall

2c
Channel system FUS

APPLICATIONS

- Channel washer to strengthen the profile

ADVANTAGES/BENEFITS

- The U-shape of the channel washer prevents the profile from bending effectively.
- The shape of the channel washer makes the push-through installations of channel profiles quick and easy.

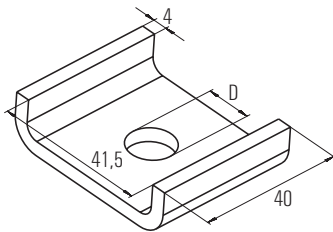
CERTIFICATES



PROPERTIES

- Material:** steel S235 JR (material no.: 1.0037) acc. to DIN EN 10025
- Zinc plating:** electro zinc-plated, min. 5 µm

TECHNICAL DATA



Item	Art.-No.	Fire test report	Hole-Ø	Sales unit
			A [mm]	[pcs]
HK 41 8,5	547492	—	8.5	50
HK 41 10,5	547493	X	10.5	50
HK 41 12,5	547494	X	12.5	50

SEE ALSO



SKS
see page 185

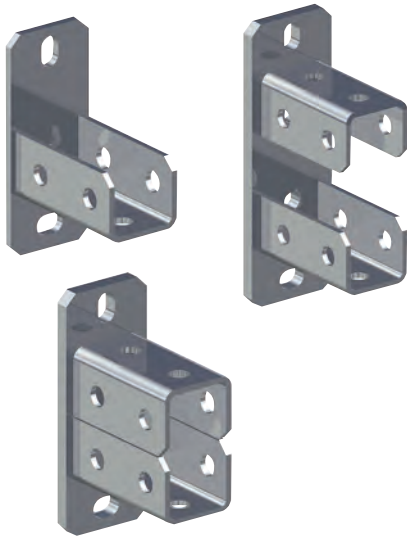


U
see page 185



MU
see page 186

Construction element - Saddle flange SF



CERTIFICATES



APPLICATIONS

- For solid connections between the channel and building structures

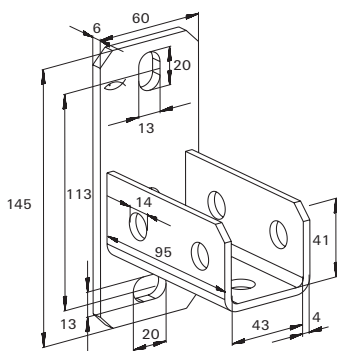
ADVANTAGES/BENEFITS

- The perfect-fit saddle of the SF enables a simple installation by inserting the channel.
- The saddle flange's stable design offers a secure hold for a load-bearing construction.

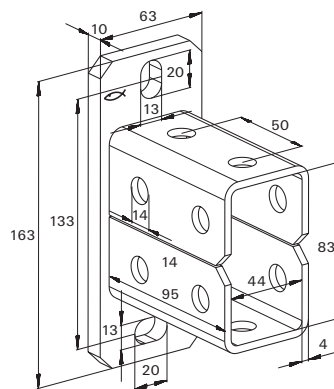
PROPERTIES

- Material base plate:** steel DC01 (material no. 1.0330) acc. to DIN EN 10139
- Zinc plating base plate:** electro zinc-plated, min. 8 µm
- Material U-Profile:** steel S235 JR (material no. 1.0037) nach DIN EN 10025
- Zinc plating U-Profile:** electro zinc-plated, min. 8 µm

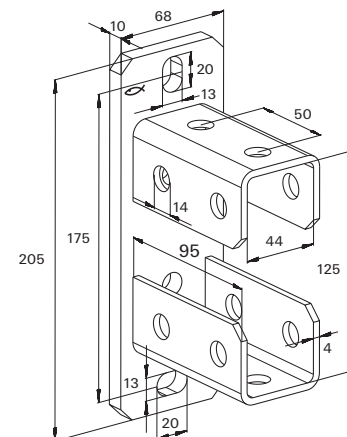
TECHNICAL DATA



SF L 41



SF L 82



SF L 124

Item		Fire test report	For profile	Sales unit	
					[pcs]
SF L 41	504355	X	21, 41, 21D, 62		10
SF L 82	504357	—	41 D		5
SF L 124	504358	—	62 D		5

Construction element - Universal bracket UWS



3D-frame constructions



Support systems for ventilation

2c
Channel system FUS

APPLICATIONS

- Universal angle bracket for the reinforcement of supporting structures

ADVANTAGES/BENEFITS

- The universal bracket for the connection of fischer channels gives a supporting structure, great stability and safety (we recommend using in pairs).

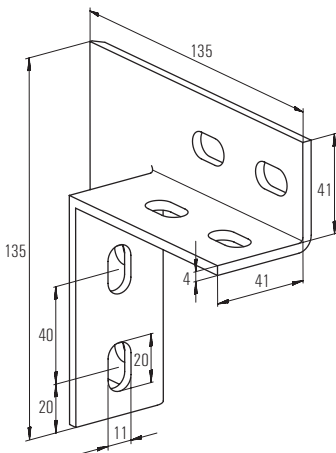
CERTIFICATES



PROPERTIES

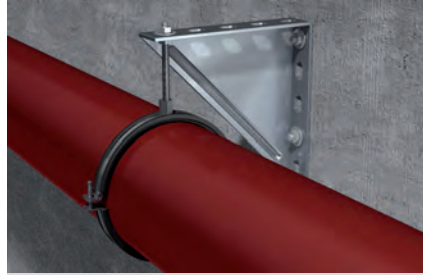
- **Material:** steel S235 JR (material no.: 1.0037) acc. to DIN EN 10025
- **Zinc plating:** electro zinc-plated, min. 5 µm

TECHNICAL DATA

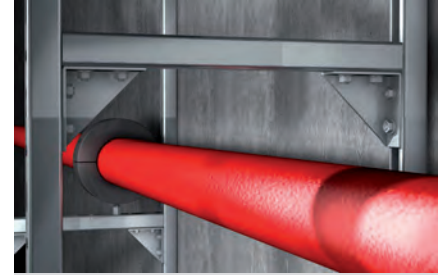


Item	Art.-No.	Fire test report	Sales unit		
			[pcs]		
UWS	049479	X	10		

Construction element - Angle bracket WK



Heavy drainage pipe under angle bracket



Solid frame construction

APPLICATIONS

- Reinforcement and fixing of pipelines and pipe components

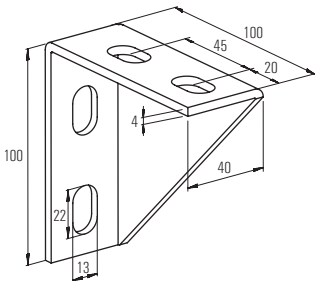
ADVANTAGES/BENEFITS

- The design of the angle bracket allows for the fixing of pipe clamps or channels.
- The stable angle ensures a very high level of stability and safety to the structure.

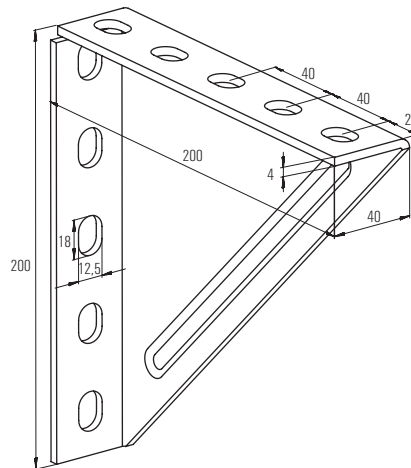
PROPERTIES

- Material:** steel DD11 (material no. 1.0332) acc. to DIN EN 10111
- Zinc plating:** electro zinc-plated, min. 8 µm

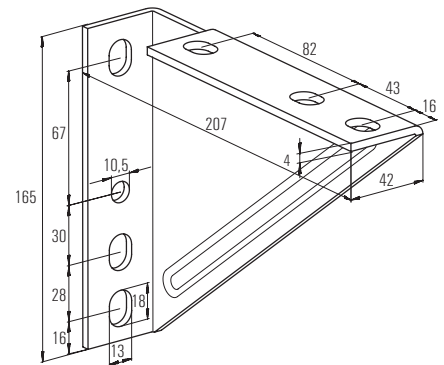
TECHNICAL DATA



WK 100/100



WK 200/200



WK 207/165

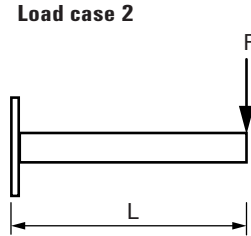
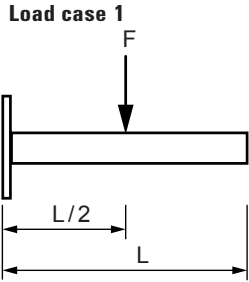
Item	Art.-No.	Sales unit			
			[pcs]		
WK 100/100	063559		5		
WK 200/200	079570		5		
WK 207/165	079571		6		

LOADS

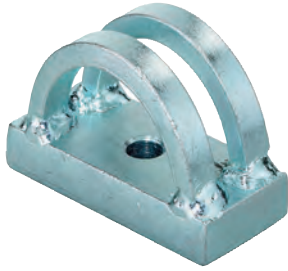
Item	Art.-No.	Max. recommended static load load case 1	Max. recommended static load load case 2
		F_{rec} [kN]	F_{rec} [kN]
WK 100/100	063559	—	4.0
WK 200/200	079570	4.0	1.8
WK 207/165	079571	—	1.8

2c

Channel system FUS



Construction element - Universal mounting UHRS



Channel bracing for installation grid



Bracings with UHRS

2c

Channel system FUS

APPLICATIONS

- Variable anchor bracket for anchoring with threaded rods
- Can be used together with FHS Clix S M 12

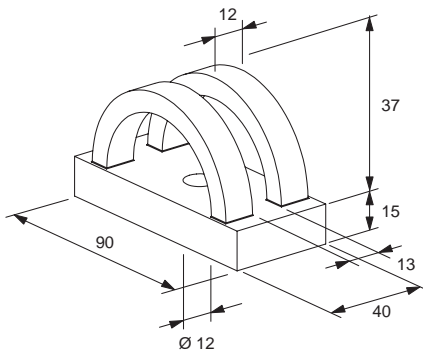
ADVANTAGES/BENEFITS

- The design of the universal mount allows the anchoring by using threaded rods at all angles.
- The hole in the base plate enables the direct fixing onto a wall or ceiling, or onto a channels.

PROPERTIES

- **Material:** steel S235 JRG (material no. 1.0038) acc. to DIN EN 10025
- **Zinc plating:** electro zinc-plated, min. 3 μm

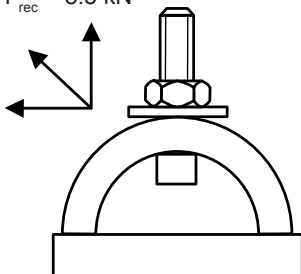
TECHNICAL DATA



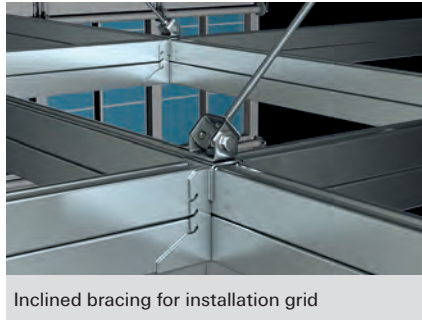
Item	Art.-No.	Sales unit			
UHRS	063938	[pcs] 6			

LOADS

$F_{\text{rec}} = 8.3 \text{ kN}$



Construction element - Universal hinge FUH



Inclined bracing for installation grid

2c
Channel system FUS

APPLICATIONS

- Variable construction element for bracing with threaded rods or to fix pipelines to sloped substructures.
- Can be attached directly to the underground or to FUS channels.
- Flexible use especially for sloped substructures or undergrounds.

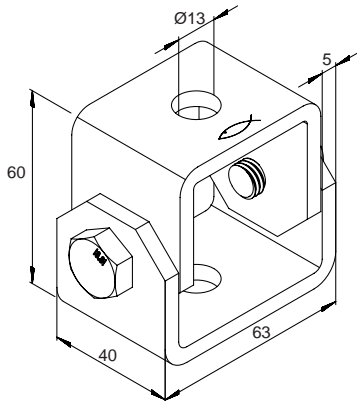
ADVANTAGES/BENEFITS

- Flexible solution for many applications such as fixing of pipelines to sloped undergrounds or bracing with threaded rods.
- Free adjustable angle up to 90°.
- Easy to use.

PROPERTIES

- **Material:** steel S235 JR (material no.: 1.0037)
- **Zinc plating:** electro zinc-plated, min. 5 µm

TECHNICAL DATA

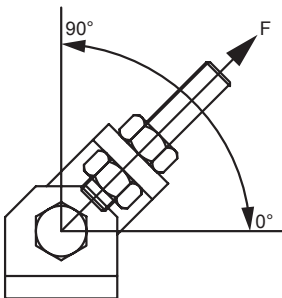


Item	Art.-No.	Sales unit
FUH 13	543065	[pcs] 6

LOADS

Angle	90°	75°	60°	45°	30°	0°
Max. recommended load [kN]	6	5,5	5	4	3	2,5

Intermediate values can be interpolated.



Construction element - Variable bracket VB



Massiv bracing of cantilever arm

2c

Channel system FUS

APPLICATIONS

- Variable bracket for FUS channel profiles to built up supporting structures
- Bracket for installation with FUS channels from 0° to 180°

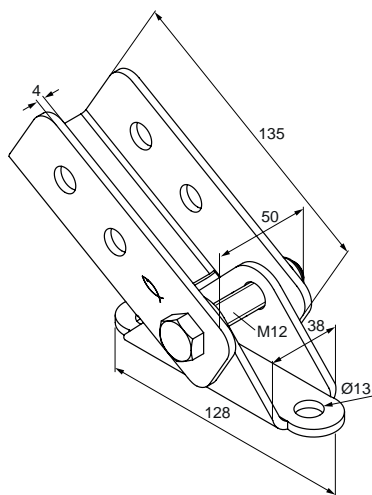
ADVANTAGES/BENEFITS

- The design of the variable bracket VB enables the fixation of mounting channels at an angle of 0° to 180°.
- Due to the holes on all three sides, the channels can be installed with the slot lateral.
- The punched holes in the base plate allow the direct fixing to the substructure or onto a mounting channel.

PROPERTIES

- **Material:** steel S235 JR (material no.: 1.0037) acc. to DIN EN 10025
- **Zinc plating:** electro zinc-plated, min. 5 µm

TECHNICAL DATA



Item	Art.-No.	Sales unit			
		[pcs]			
VB	545650	5			

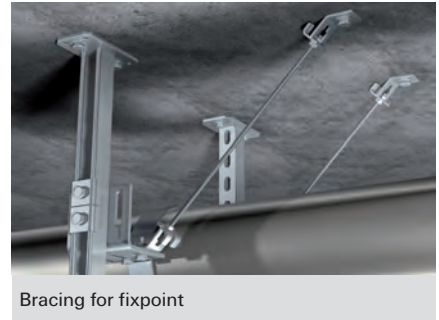
LOADS

see channel nut FCN Clix P

Construction element - Threaded rod bracket FSB 45°



Heavy pipe on cantilever



Bracing for fixpoint

2c
Channel system FUS

APPLICATIONS

- 45°-element for anchoring with M10 threaded rods

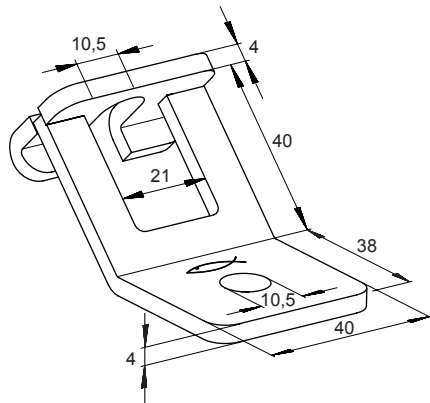
ADVANTAGES/BENEFITS

- The anchoring element's socket allows the fast insertion of a pre-mounted M10 threaded rod with nut.
- The hole in the base plate enables the direct fixing onto a wall or ceiling or onto a channel.

PROPERTIES

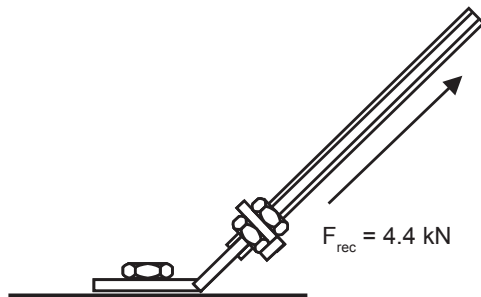
- **Material:** steel DD11 (material no. 1.0332) acc. to DIN EN 10111
- **Zinc plating:** electro zinc-plated, min. 5 µm

TECHNICAL DATA

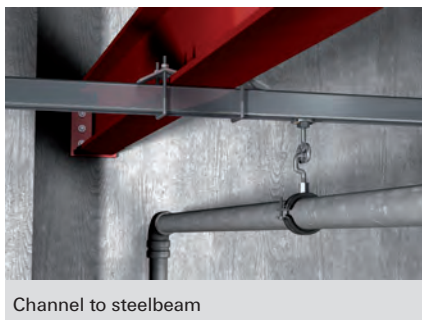


Item	Art.-No.	Sales unit			
			[pcs]		
FSB 45°	071269		20		

LOADS



Clamp for fixing of profiles to steel girders



Channel to steelbeam

2c

Channel system FUS

APPLICATIONS

- Fixing to steel girders requires two clamps per connection

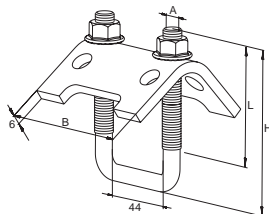
ADVANTAGES/BENEFITS

- The design of the beam clamp allows fixing without drilling or welding.
- The various lengths of the beam clamp enable the fixing on most standard beams.
- The shape of the beam clamp allows the simple adjustment of the channel connection.

PROPERTIES

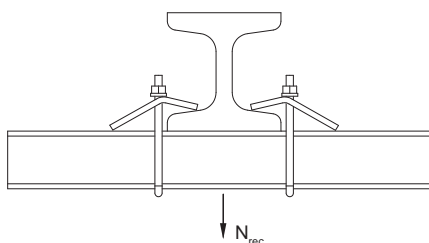
- **Material plate/U-bolt pipe hanger:** steel S235 JR (material no. 10037) acc. to DIN EN 10025
- **Material hexagon nut:** steel resistance class 8
- **Zinc plating:** electro zinc-plated, min. 5 μm

TECHNICAL DATA



Item	Art.-No.	For profile	Thread	Width B	Height H	Length	Sales unit
			A1	B [mm]	H [mm]	L [mm]	[pcs]
TKR 21 - 42	504363	21/41	M 8	79	97	50	20
TKR 82	504366	62, 41D	M 10	79	137	80	20
TKR 124	504367	62 D	M 10	79	179	80	10

LOADS



Item	Art.-No.	Max. recom. static load (centr. tension)	Tightening torque	Max. clamping range on girders
		$N_{\text{recom.}}$ [kN]	T_{inst} [Nm]	[mm]
TKR 21 - 42	504363	5.00	15	30
TKR 82	504366	10.00	20	30
TKR 124	504367	10.00	20	30

Construction elements - Brackets FFF

Channel system FUS

2c



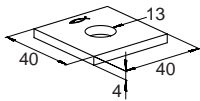
APPLICATIONS

- Connecting elements for the joining or strengthening of simple channel constructions

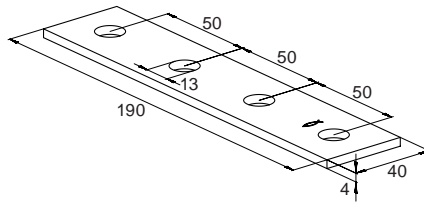
PROPERTIES

- **Material:** steel S235 JR (material no.10037) acc. to DIN EN 10025
- **Zinc plating:** electro zinc-plated, min. 5 µm

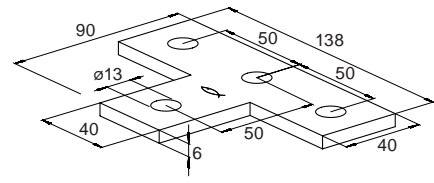
TECHNICAL DATA



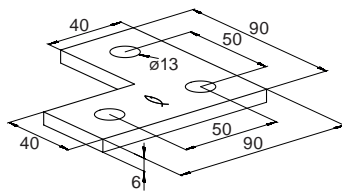
FFF 1



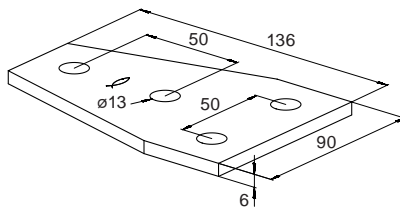
FFF 4



FFF 4T



FFF 3L



FFF 4D

Item	Art.-No.	Sales unit			
			[pcs]		
FFF 1	547500		25		
FFF 3L	504498		25		
FFF 4	547501		25		
FFF 4T	504500		25		
FFF 4D	504368		25		

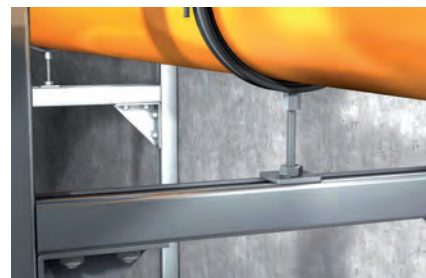
LOADS

see Channel nut FCN Clix P

Construction elements - Mounting bracket FAF



Frame constructions



Connection on channel

2c

Channel system FUS

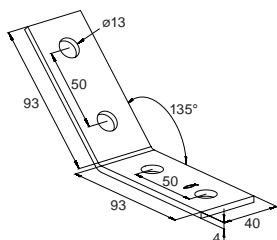
APPLICATIONS

- Connecting elements for the joining or strengthening of simple channel constructions

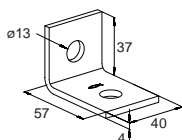
PROPERTIES

- **Material:** steel S235 JR (material no.10037) acc. to DIN EN 10025
- **Zinc plating:** electro zinc-plated, min. 5 µm

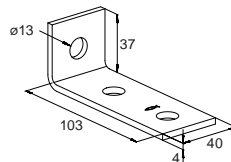
TECHNICAL DATA



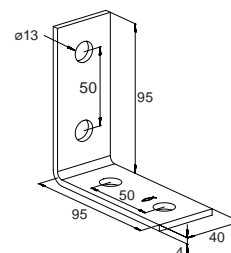
FAF 4/135°



FAF 2



FAF 3



FAF 4

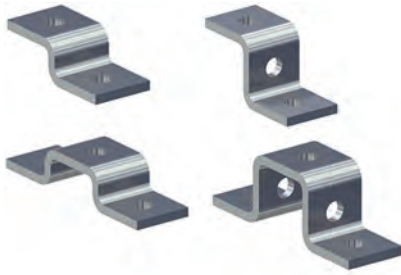
Item	Art.-No.	Sales unit			
		[pcs]			
FAF 4/135°	547505	25			
FAF 2	547502	25			
FAF 3	547503	25			
FAF 4	547504	25			

LOADS

see Channel nut FCN Clix P

Construction elements - Mounting brackets FZF, FUF

Channel system FUS



APPLICATIONS

- Connecting elements for multi-dimensional channel constructions

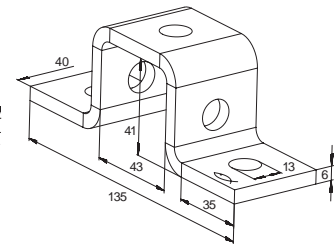
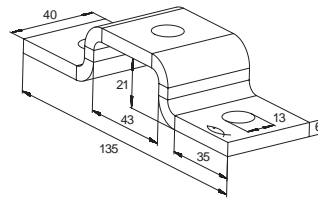
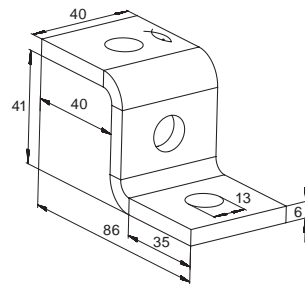
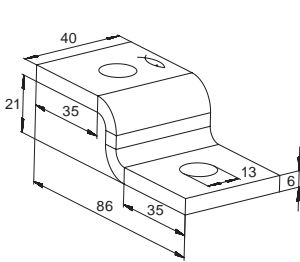
ADVANTAGES/BENEFITS

- The various shapes of the connecting elements offer flexibility during the installation of channel constructions.
- The holes in the connecting elements make them compatible with the FCN Clix P.

PROPERTIES

- Material:** steel S235 JR (material no. 10037) acc. to DIN EN 10025
- Zinc plating:** electro zinc-plated, min. 5 µm

TECHNICAL DATA



FZF 21

FZF 41

FUF 21

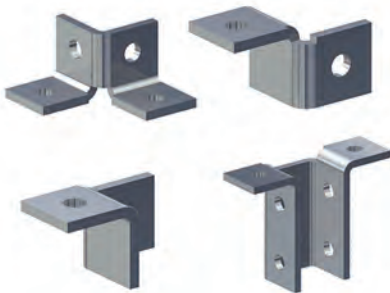
FUF 41

Item	Art.-No.	Sales unit			
		[pcs]			
FZF 21	504375	25			
FZF 41	504515	25			
FUF 21	504376	25			
FUF 41	504377	25			

LOADS

see Channel nut FCN Clix P

Construction elements - Mounting brackets FUF



APPLICATIONS

- Connecting elements for multi-dimensional channel constructions

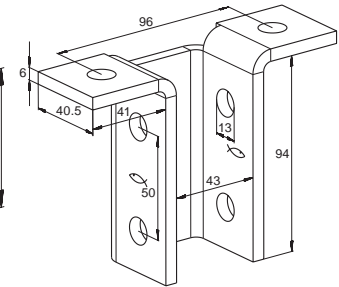
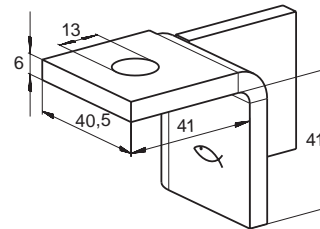
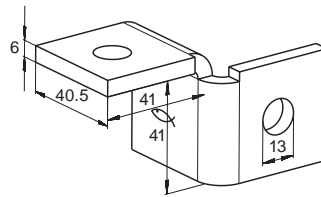
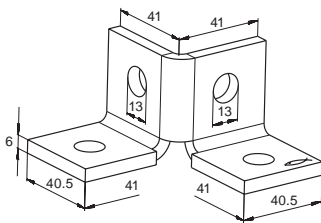
ADVANTAGES/BENEFITS

- The various shapes of the connecting elements offer flexibility during the installation of channel constructions.
- The holes in the connecting elements make them compatible with the FCN Clix P.

PROPERTIES

- **Material:** steel S235 JR (material no. 10037) acc. to DIN EN 10025
- **Zinc plating:** electro zinc-plated, min. 5 µm

TECHNICAL DATA



FUF 4Y

FUF 180°L

FUF 180°R

FUF 8T

Item	Art.-No.	Sales unit			
			[pcs]		
FUF 4Y	504378		20		
FUF 180°L	504379		20		
FUF 180°R	504383		20		
FUF 8T	504387		10		

LOADS

see Channel nut FCN Clix P

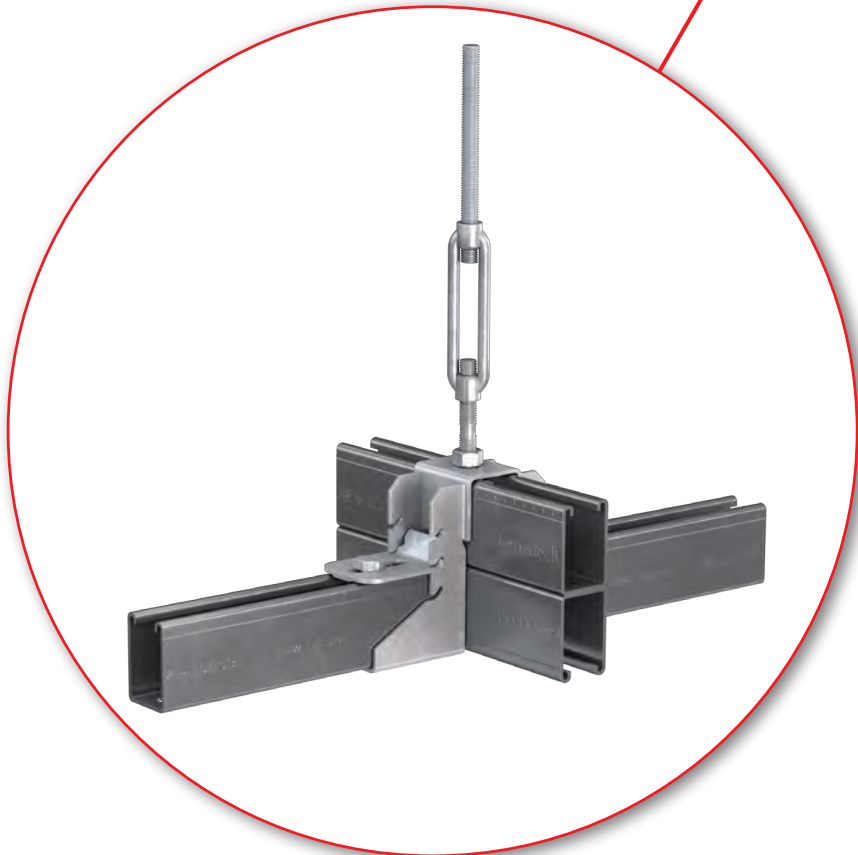


2d Installation grid

	Page		Page
CHANNELS		CONSTRUCTION ELEMENTS	
Channel FUS	143	Channel connector FUF OC	144
CONNECTORS		Beam clamp TKR	146
Cross connector FVS II	142	ACCESSORIES	
Connector FCN Clix P	147	Channel washer HK 41	144
Universal hinge FUH	147	Threaded rod G	144
Hexagonal connector VM	146	Hexagonal nut MU	145
Turnbuckle SPS, Bolt left-hand/right-hand BLR	146	Washer U	145
		Hexagonal screw SKS	145
		Channel nut FCN	148
		Cover cap FEC	147

2d
Installation grid

2d
Installation grid



FIT FOR TODAY'S AND TOMORROW'S DEMANDS

Planning for the future means constantly being prepared to meet new requirements. That is why the fischer Installation Grid is the installation system for modern and future supply technology in industrial buildings. Its strengths are:

- quick installation and consequent low costs
- high flexibility and adaptability to change utilization of buildings
- good order and organization in media supply
- new design perspectives
- clear calculation of time and cost thanks to modular construction
- highly economical over the entire duration of utilization
- support in planning and installation provided by fischer engineers

Backed up by the entire know-how and experience of a leading manufacturer of fixing systems.

EFFECTIVE INSTALLATION WITH THE FISCHER INSTALLATION GRID

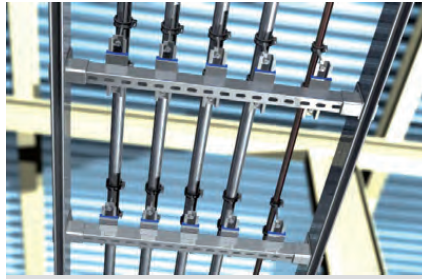


A separate level for the installation of media-supply equipment is constructed under the ceiling using a system of rails and special fixing elements from the fischer Installation Systems program. This Installation Grid can be specially adapted for any building.

Cross connector to create an flexible installation grid

Installation grid

2d



Sliding element on traverse made with FVS 3 II



Supply lines on installation grid

APPLICATIONS

- Cross connectors for installation of an installation grid by utilization of FUS channels
- Ceiling suspension with the use of threaded rods
- FUS channel lengthwise: FUS 62D
- FUS channel crosswise: FUS 41, FUS 21D, FUS 62, FUS 41D

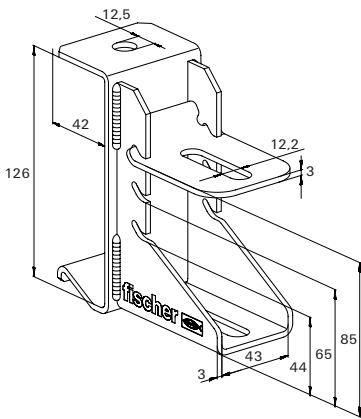
ADVANTAGES/BENEFITS

- The design of the cross connector allows for the simple and time-saving creation of an installation grid.
- The cross connector over the vertical channel allows the installation to be carried out by one person.
- The design of the FVS 3 II are also ideal to create traverse installations.

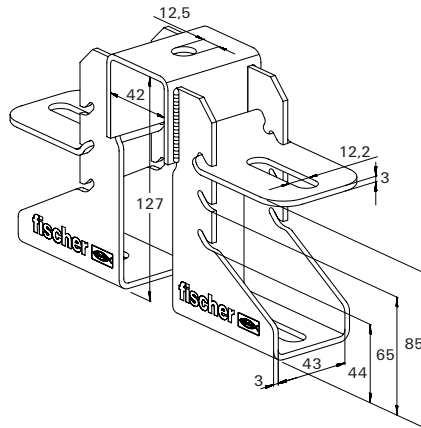
PROPERTIES

- **Material:** steel S235 JR (material no.: 1.0037) acc. to DIN EN 10025
- **Zinc plating:** electro zinc-plated, min. 5 µm

TECHNICAL DATA



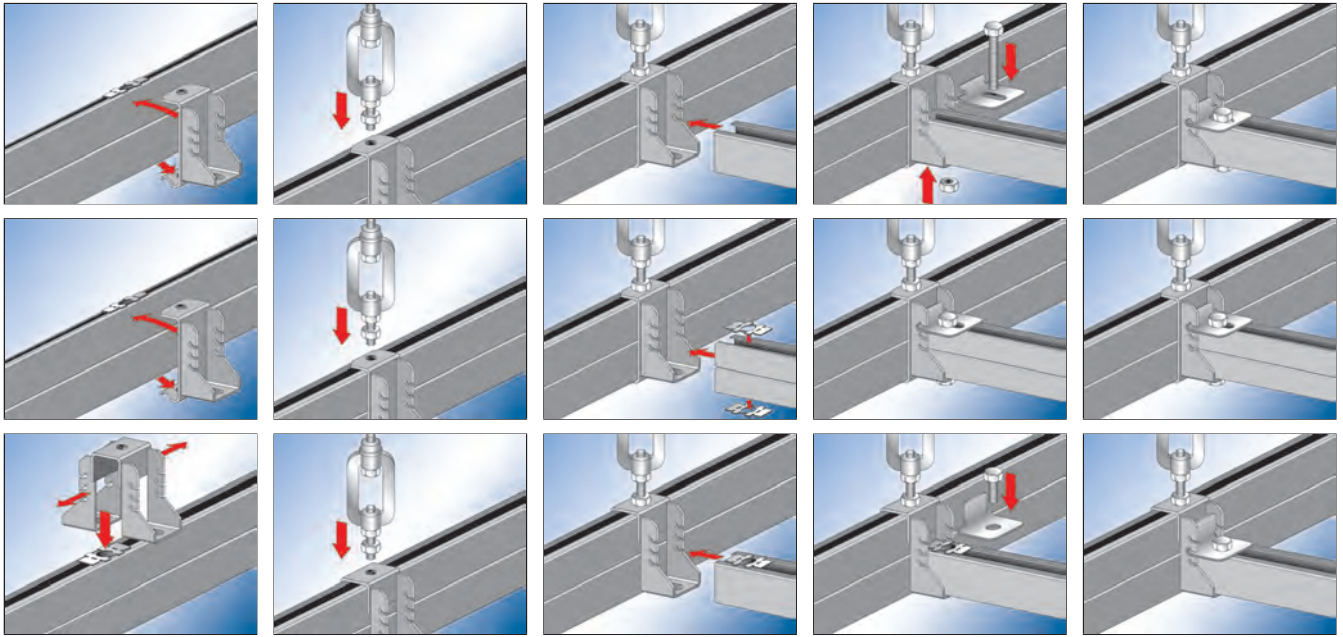
FVS 3 II



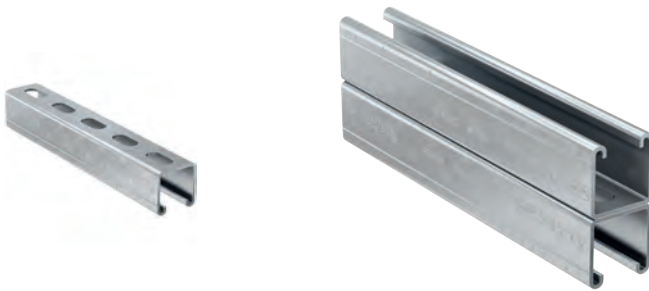
FVS 4 II

Art.-No.		For profile	Sales unit
			[pcs]
FVS 3 II	543060	FUS channel crosswise: FUS 41, FUS 21D, FUS 62, FUS 41D, FUS channel lengthwise: FUS 62D	8
FVS 4 II	543063	FUS channel crosswise: FUS 41, FUS 21D, FUS 62, FUS 41D, FUS channel lengthwise: FUS 62D	5

INSTALLATION



FUS CHANNELS



FUS

FUS D

Item	Art.-No.	Length	Profile thickness	Weight	Sales unit
		[mm]	[mm]	[kg/m]	[pcs]
FUS 41/2,0 - 3 m	097658	3000	2	2.06	1
FUS 41/2,0 - 6 m	097659	6000	2	2.06	1
FUS 41/2,5 - 3 m	077347	3000	2,5	2.45	1
FUS 41/2,5 - 6 m	077537	6000	2,5	2.45	1
FUS 62/2,5 - 6 m	504457	6000	2,5	3.27	1
FUS 21D/2,0 - 3 m	504458	3000	2	2.87	1
FUS 21D/2,0 - 6 m	535531	6000	2	2.87	1
FUS 41D/2,5 - 6 m	504459	6000	2,5	4.89	1
FUS 62D/2,5 - 6 m	504460	6000	2,5	6.55	1

Characteristics see on page 90

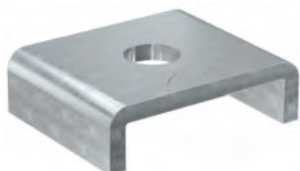
CHANNEL CONNECTOR FUF OC



Item	Art.-No.	Length l [mm]	Thickness S [mm]	Sales unit [pcs]
FUF OC 62	504518	400	4	10

Characteristics see on page 96

CHANNEL WASHER HK 41



Item	Art.-No.	Sales unit [pcs]		
HK 41 12,5	547494	50		

Characteristics see on page 124

THREADED ROD G



Item	Art.-No.	Length l [mm]	Thread A	Sales unit [pcs]
G 12/3	064056	3000	M 12	5

Characteristics see on page 176

HEXAGONAL NUT MU



Item	Art.-No.	Thread A	Width across nut ○ SW [mm]	Sales unit [pcs]
MU M 12	024650	M 12	19	100

Characteristics see on page 186

WASHER U



Item	Art.-No.	Thickness S [mm]	Hole-Ø D [mm]	Sales unit [pcs]
U 12 x 40	024649	3	12.5	100

Characteristics see on page 185

HEXAGONAL BOLT SKS



Item	Art.-No.	Length L [mm]	Thread A1	Width across nut [mm]	Sales unit [pcs]
SKS 12 x 25	535538	25	M 12	19	100
SKS 12 x 65	535539	65	M 12	19	50
SKS 12 x 85	505553	85	M 12	19	100

Characteristics see on page 185

HEXAGONAL CONNECTOR VM



Item	Art.-No.	Thread A	Sales unit [pcs]
VM M 12	020971	M 12	100

Characteristics see on page 186

TURNBUCKLE SPS / BLR



Turnbuckle **SPS**

Bolt **BLR**

Item	Art.-No.	Thread A	Sales unit [pcs]
SPS M 12	064090	M 12	25
BLR 100 M12	064091	M 12	25

Characteristics see on page 184

BEAM CLAMP TKR



Item	Art.-No.	For profile	Sales unit [pcs]
TKR 124	504367	62 D	10

Characteristics see on page 133

UNIVERSAL BRACKET FUH



Item	Art.-No.	Sales unit	
		[pcs]	
FUH 13	543065	6	

Characteristics see on page 129

COVER CAP FEC



Item	Art.-No.	Material	Sales unit	
			[pcs]	
FEC 21 B	077357	polyethylene, black	100	
FEC 41 B	077355	polyethylene, black	100	
FEC 62 B	505551	polyethylene, black	100	

Characteristics see on page 104

CHANNEL NUT FCN CLIX P



Item	Art.-No.	Thread	
		A	Sales unit
			[pcs]
FCN Clix P 12	504331	M 12	100

Characteristics see on page 117

CHANNEL NUT FCN










		Thread	Sales unit	
Item	Art.-No.	A	[pcs]	
FCN 12	077411	M 12	100	

Characteristics see on page 123

2d
Installation grid



2e Fixpoint and sliding elements

	Page		Page
FIX POINTS		SLIDING ELEMENTS	
Sound insulated fix point FSFP	 152	Sliding element GL	 154
Fixpoint clamp FFPS and -saddle FFPK	 153	Sliding saddle SBS	 155
		Sliding element FSC1	 156
		Sliding hanger SB	 157
		Pendulum hanger PDH / PDH K	 158

2e
Fixpoint and sliding elements



2e
Fixpoint and sliding elements

APPLICATIONS

- Prevention of unwanted displacement between the pipes and the structures
- Ensuring of the expansion into the desired direction

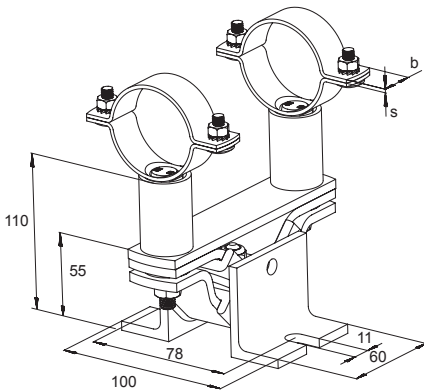
ADVANTAGES/BENEFITS

- The fixpoint's ageing-resistant insulation elements is heat resistant and isolates the structure from sound transfer.
- The fully pre-mounted FSFP fixpoint ensures a quick and easy installation.
- The compact design of the fixpoint leads to high pipe loads in all fitting positions.

PROPERTIES

- **Clamp strap:** ST W22 (m+L34aterial no. 1.0032)
- **Base plate:** S235 JR (material no. 1.0038)
- **Zinc plating:** electro zinc-plated, min. 5 µm
- **Elastomer:** ISO 1629 SBR/EPDM chlorine-free and silicone-free
- **Temperature range:** -40 °C to +100 °C

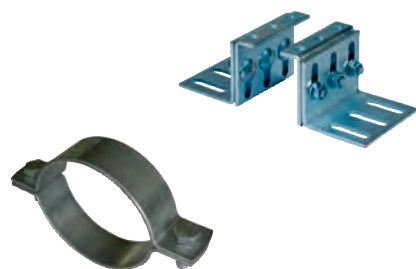
TECHNICAL DATA



Item	Art.-No.	Size	Clamping range	Locking screw	Width x thickness clamp band	Sales unit
		[inch]	D [mm]		b x s [mm]	
FSFP 1"	512716	1"	33,7	M 6	20 x 1,5	1
FSFP 1 1/4"	512717	1 1/4"	42,4	M 6	20 x 2,0	1
FSFP 1 1/2"	512718	1 1/2"	48,3	M 6	20 x 2,0	1
FSFP 2"	512719	2"	60,3	M 8	30 x 2,5	1
FSFP 2 1/2"	512720	2 1/2"	76,1	M 8	30 x 2,5	1
FSFP 3"	512721	3"	88,9	M 8	30 x 2,5	1
FSFP 4"	512722	4"	114,3	M 8	30 x 2,5	1

LOADS

Item	Art.-No.	max. recommended load	
		F _{rec} [kN]	
FSFP 1"	512716	4.0	
FSFP 1 1/4"	512717	4.0	
FSFP 1 1/2"	512718	4.0	
FSFP 2"	512719	4.0	
FSFP 2 1/2"	512720	4.0	
FSFP 3"	512721	4.0	
FSFP 4"	512722	4.0	



Fixpoint-pipecollar

APPLICATIONS

- Prevention of unwanted displacement between the pipes and the structures
- Ensuring of the expansion into the desired direction

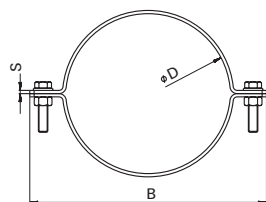
ADVANTAGES/BENEFITS

- The system's modular design allows it to be adjusted to the required loads.
- The system's high load level enables increased fixing distances.
- The fixpoint saddle allows a height and angle adjustment.
- The special washers on the clamp and console ensure a quick installation.

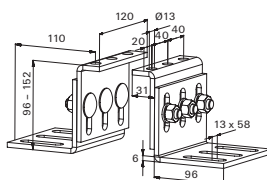
PROPERTIES

- **FFPS:** S185-Z-150 NA-NK (material no. 1.0035) acc. to DIN EN 10035
- **FFPK:** S235 JR (material no. 1.0037) acc. to DIN EN 10025
- **Zinc plating:** electro zinc-plated, min. 5 µm

TECHNICAL DATA



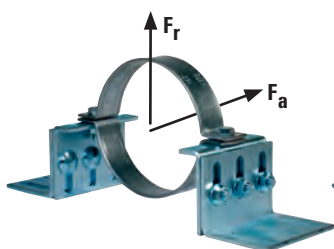
FFPS



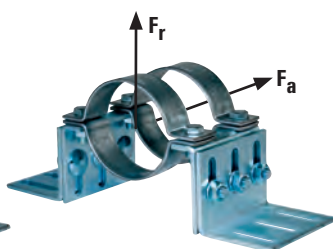
FFPK

Item	Art.-No.	Size [inch]	Clamping range D [mm]	Width B [mm]	Locking screw	Width x thickness clamp band b x s [mm]	Tightening torque T_{inst} [Nm]	Sales unit [pcs]
FFPS 2"	048510	2"	56 - 61	137	M 12	40 x 4,0	60	1
FFPS 2 1/2"	048511	2 1/2"	75 - 80	156	M 12	40 x 4,0	60	1
FFPS 3"	048512	3"	88 - 93	170	M 12	40 x 4,0	60	1
FFPS 4"	048513	4"	108 - 115	191	M 12	40 x 4,0	60	1
FFPS 5"	048660	5"	133 - 140	217	M 12	40 x 4,0	60	1
FFPS 159 - 166	048662	159 - 166	159 - 166	243	M 12	40 x 4,0	60	1
FFPS 6"	048663	6"	167 - 172	250	M 12	40 x 4,0	60	1
FFPS 8"	048664	8"	219 - 225	303	M 12	40 x 4,0	60	1
FFPS 10"	048665	10"	267 - 274	351	M 12	40 x 4,0	60	1
FFPK	048666	—	—	—	—	—	—	1

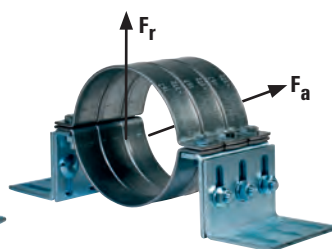
LOADS



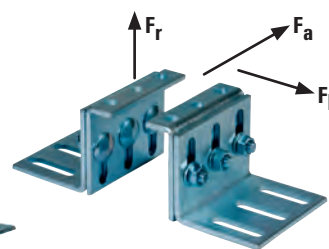
Point fixe 1 collier
Max. recom. load
axial $F_a = 5500$ N
radial $F_r = 4660$ N



Fixpoint 2 clamps
Max. recom. load
axial $F_a = 11000$ N
radial $F_r = 9320$ N



Fixpoint 3 clamps
Max. recom. load
axial $F_a = 16500$ N
radial $F_r = 13980$ N



FFPK
Saddle max. recom. loads
radial $F_r = 42000$ N
lateral $F_l = 17500$ N



2e

Fixpoint and sliding elements

APPLICATIONS

- Sliding element with a maximum sliding distance of 160 mm for the absorption of axial length adjustments and expansion to pipelines

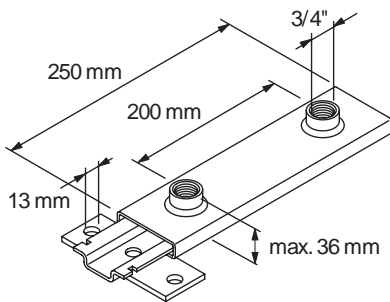
ADVANTAGES/BENEFITS

- The low height of the sliding element allows a space-saving installation.
- The large sliding distance of the sliding element enables large expansion distances.
- The twin pipe support prevents pipes from moving in the wrong direction.

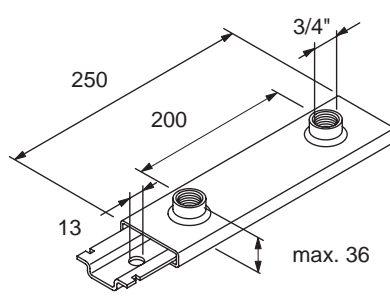
PROPERTIES

- Material:** steel S235 JR (material no.: 1.0037) acc. to DIN EN 10025
- Zinc plating:** electro zinc-plated, min. 8 µm
- Material sliding strips:** Nylon 6
- Adhesion friction factor:** 0,27 - 0,3
- Sliding friction factor:** 0,15 - 0,25
- Thermal load capacity:** -30 °C to +110 °C

TECHNICAL DATA



GLL 3/4"

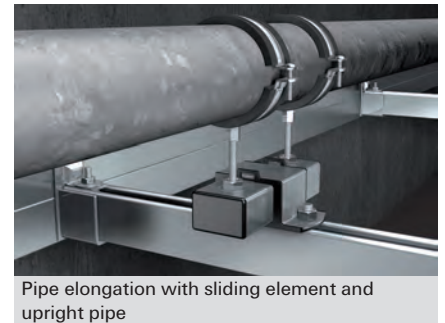


GL 3/4"

Item	Art.-No.	Sales unit [pcs]			
GLL 3/4"	064038	5			
GL 3/4"	064041	5			

LOADS

Item	Art.-No.	Max. recommended static load (suspended) N_{rec} [kN]	Max. recommended static load (upright) [kN]	Max. recom. pipe-Ø
GLL 3/4"	064038	3.5	4.0	200
GL 3/4"	064041	3.5	4.0	200



APPLICATIONS

- Absorption of pipe expansions on two points
- Sliding distance for SBS 55 mm (M 10) and 60 mm (M 8), SBS 12/16 125 mm

ADVANTAGES/BENEFITS

- The two point pipe support prevents pipes from slipping of the duct.
- The low height of the sliding saddle allows a space-saving installation.

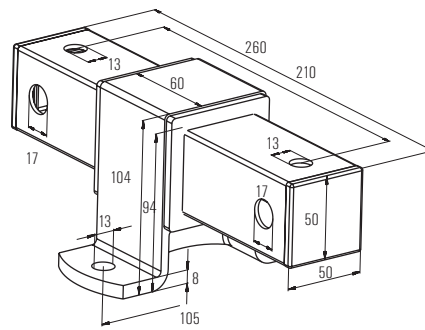
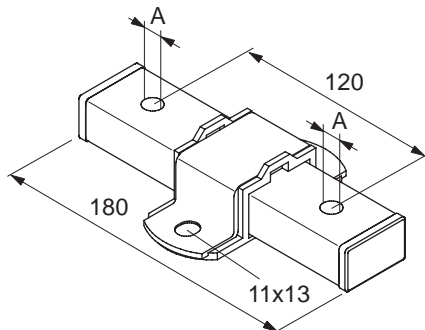
CERTIFICATES



PROPERTIES

- **Material:** steel DD11 (material no. 1.0332) acc. to DIN EN 10111 / PA GF 20
- **Zinc plating:** electro zinc-plated, min. 5 µm
- **Adhesion friction factor:** 0,25 - 0,30
- **Sliding friction factor:** 0,16 - 0,18
- **Temperature range:** -40 °C to +100 °C

TECHNICAL DATA



SBS

SBS 12/16

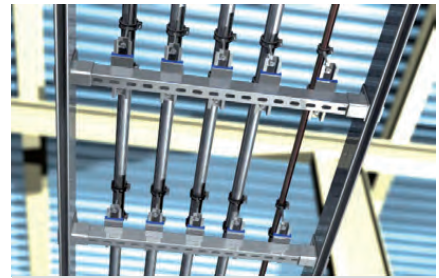
Item	Art.-No.	Fire test report	Thread	Sales unit
			A	[pcs]
SBS M 8	079685	—	M 8	8
SBS M 10	079686	X	M 10	8
SBS 12/16	047726	X	M 12 / M 16	1

LOADS

Item	Art.-No.	Max. recommended static load (suspended)	Max. recommended static load (upright)
		N _{rec} [kN]	N _{rec} [kN]
SBS M 8	079685	1.5	1.5
SBS M 10	079686	1.5	1.5
SBS 12/16	047726	7.8	7.8



Sliding element on console



Sliding element on installation grid

APPLICATIONS

- Sliding element with a maximum sliding distance of 100 mm for the large axial expansion of pipelines

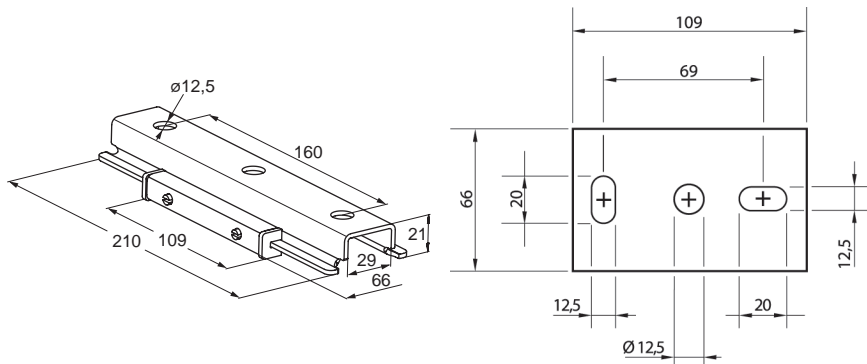
ADVANTAGES/BENEFITS

- The holes in the sliding saddle allow the use as a single or double sliding element.
- The special design of the base plate prevents a sliding out.

PROPERTIES

- **Material:** steel DD11 (material no. 1.0332) acc. to DIN EN 10111
- **Zinc plating:** electro zinc-plated, min. 5 µm
- **Temperature range:** -30 °C to +120 °C

TECHNICAL DATA



Item	Art.-No.	Sales unit [pcs]			
FSC 1	507866	12			

LOADS

Item	Art.-No.	Max. recommended static load (suspended)	Max. recommended static load (upright)
		N _{rec} [kN]	N _{rec} [kN]
FSC 1	507866	1.3	1.0

2e
Fixpoint and sliding elements



APPLICATIONS

- Adjustments of axial length to pipelines
- Installation of sliding elements in line with the expected length expansions (Ensuring that no sliding distance is lost and sliding isn't inhibited)

ADVANTAGES/BENEFITS

- The design of the sliding hanger allows pipes to be mounted securely and easily.
- The sliding hanger is ideally suited to adjust the axial length of pipelines.

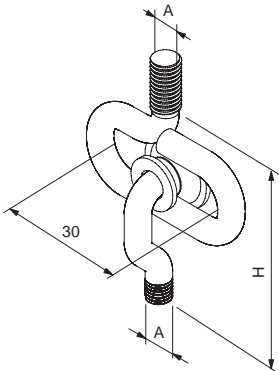
CERTIFICATES



PROPERTIES

- **Material:** steel DD11 (material no. 1.0332) acc. to DIN EN 10111
- **Zinc plating:** electro zinc-plated, min. 3 μ m

TECHNICAL DATA



Item	Art.-No.	Fire test report	Thread A	Height H H	Sales unit [pcs]
SB M 8	079680	—	M 8	75	25
SB M 10	079681	X	M 10	90	25

LOADS

Item	Art.-No.	Max. recom. statc load (centr. tension) [kN]
SB M 8	079680	0.40
SB M 10	079681	0.65



2e

Fixpoint and sliding elements

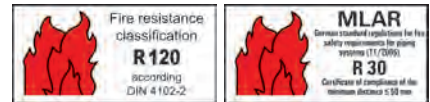
APPLICATIONS

- Single fixing for the absorption of pipeline length adjustments in any direction
- Installation of the pendulum in pairs for pipe movement without tipping
- Secure threaded rod with lock nut to prevent loosening

ADVANTAGES/BENEFITS

- The design of the pendulum hanger allows a rotation of 360°.
- The pendulum hanger's screw-in sleeve allows for large height adjustments.
- The max. pendulum angle of 12° enables the absorption of large expansions.
- The screw-in depth of the threaded bolts guarantees a high tension load.

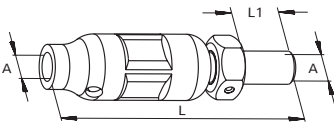
CERTIFICATES



PROPERTIES

- **Material:** steel DD11 (material no. 1.0332) acc. to DIN EN 10111
- **Zinc plating:** electro zinc-plated, min. 5 µm

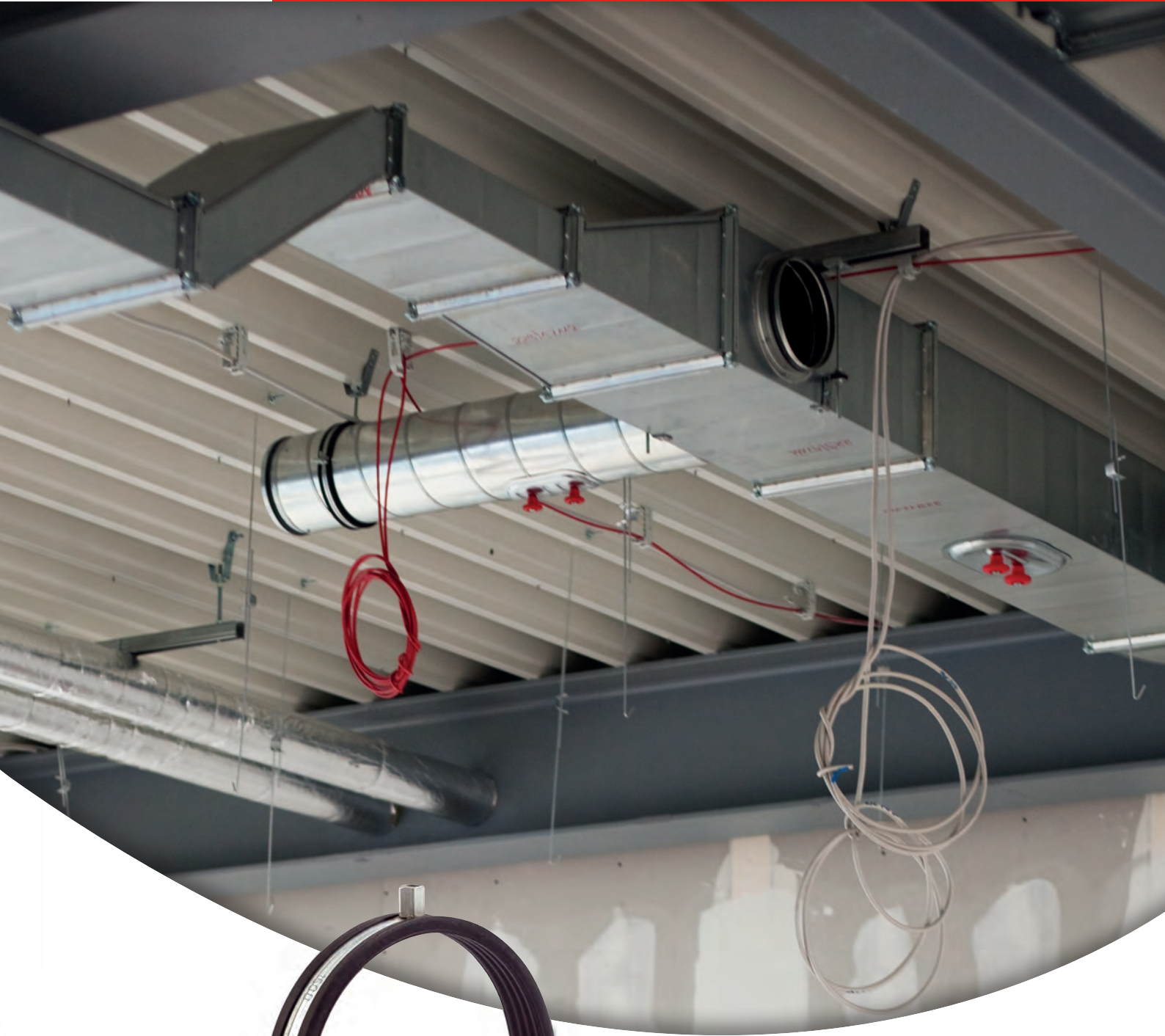
TECHNICAL DATA



Item	Art.-No.	Fire test report	Thread A	Length L [mm]	Length L ₁ [mm]	Sales unit [pcs]
PDH K M 8	068267	—	M 8	50	18	50
PDH K M 10	068269	X	M 10	54	18	50
PDH M 8	079676	—	M 8	76	18	50
PDH M 10	079677	X	M 10	80	18	50
PDH M 12	064037	X	M 12	90	20	25

LOADS

Item	Art.-No.	Max. recom. static load (centr. tension) [kN]
PDH K M 8	068267	2.4
PDH K M 10	068269	3.0
PDH M 8	079676	2.4
PDH M 10	079677	3.0
PDH M 12	064037	3.5



2f Airduct and metal roof fixings

	Page		Page
PIPE CLAMPS		METAL CEILING HANGER	
Ventilation duct clamp LGS	 162	Profile hanger TZ / TZH	 166
SUSPENSION ELEMENTS		Hole punch LZ, hole stamp LST	 167
Duct hanger L- and Z-type	 164		
Spiral duct hanger LRBN / LRB	 165		
Rubber inlay EMS	 168		

Clamps - Ventilation duct clamp LGS



2f

Airduct and metal roof fixings

APPLICATIONS

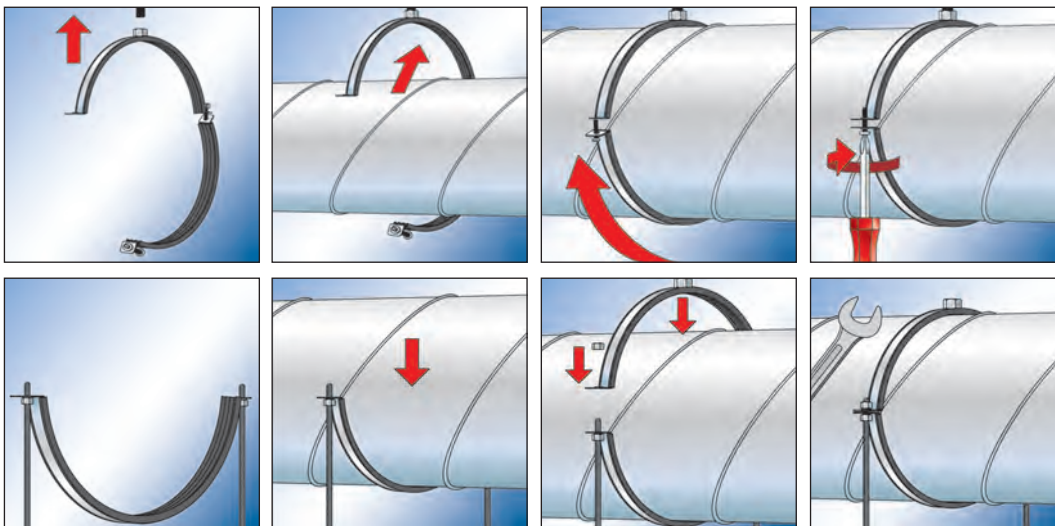
- Fixing of spiral lock seam pipes
- Fixing of pipes over 450 mm in diameter with two adjacent threaded rods
- Sound-insulation insert is held glued from Ø450 mm

ADVANTAGES/BENEFITS

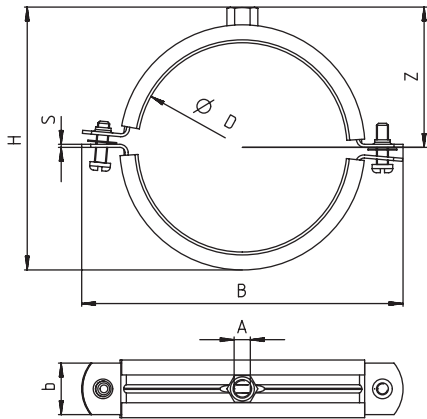
- The large opening angle of the LGS enables a quick and easy installation.
- The LGS's two screws allow the adjustment to suit the outer pipe diameter.
- The locking screw with large recess/cross recess head is secured to not get lost during installation.
- The sound-insulation insert has a form fit and can not fall out during the adjustment of the pipe.
- The LGS is drilled on both sides of the clamp from 450 mm diameter on. This allows for connection with two screws with nuts or two threaded rods with nuts. Thereby the recommended load of the clamp can be doubled.

PROPERTIES

- **Material:** steel DC01 (material no. 1.330) acc. to DIN EN 10130
- **Zinc plating:** electro zinc-plated, 5 - 9 µm
- **Connecting nut:** resistance welded domed nut, M8 / M10, SW 13
- **Locking screw:** oval head screw with combination recessed head
- **Material sound insulation insert:** SBR/EPDM; chlorine-free; silicone-free
- **Sound insulation:** for DIN 4109
- **Temperature range:** -50 °C to +110 °C
- **Hardness:** 45 ± 5° Shore A
- **Fire behaviour:** DIN 4102: Class B2



TECHNICAL DATA



Item	Art.-No.	Thread	Size	Height H	Width B	Width x thickness clamp band	Height Z	Locking screw	Max. recom. static load (centr. tension) [kN]	Sales unit [pcs]
		A	DN	H [mm]	B [mm]	b x s [mm]	Z [mm]			
LGS 80	079491	M 8 / M 10	80	108	133	25 x 1,5	62	M 6	0.6	25
LGS 90	079492	M 8 / M 10	90	118	143	25 x 1,5	67	M 6	0.6	25
LGS 100	079493	M 8 / M 10	100	128	153	25 x 1,5	72	M 6	0.6	20
LGS 112	079494	M 8 / M 10	112	140	165	25 x 1,5	78	M 6	0.6	20
LGS 125	079495	M 8 / M 10	125	153	178	25 x 1,5	85	M 6	0.6	10
LGS 140	079496	M 8 / M 10	140	168	193	25 x 1,5	92	M 6	0.6	10
LGS 150	079497	M 8 / M 10	150	178	203	25 x 1,5	97	M 6	0.6	10
LGS 160	079498	M 8 / M 10	160	188	213	25 x 1,5	102	M 6	0.6	10
LGS 180	079499	M 8 / M 10	180	208	233	25 x 1,5	112	M 6	0.6	10
LGS 200	079500	M 8 / M 10	200	228	253	25 x 1,5	122	M 6	0.6	15
LGS 224	079501	M 8 / M 10	224	252	280	25 x 1,5	134	M 6	0.6	15
LGS 250	079502	M 8 / M 10	250	278	306	25 x 1,5	147	M 6	0.6	10
LGS 280	079503	M 8 / M 10	280	308	336	25 x 1,5	162	M 6	0.6	10
LGS 300	079504	M 8 / M 10	300	328	356	25 x 1,5	172	M 6	0.6	10
LGS 315	079505	M 8 / M 10	315	343	371	25 x 1,5	180	M 6	0.6	10
LGS 355	079506	M 8 / M 10	355	383	410	25 x 1,5	200	M 6	0.6	10
LGS 400	079507	M 8 / M 10	400	428	455	25 x 1,5	222	M 6	0.6	10
LGS 450	024637 1)	M 8 / M 10	450	480	510	25 x 2,5	248	M 10	0.8	1
LGS 500	024638 1)	M 8 / M 10	500	530	560	25 x 2,5	273	M 10	0.8	1
LGS 560	024639 1)	M 8 / M 10	560	590	620	25 x 2,5	303	M 10	0.8	1
LGS 600	024640 1)	M 8 / M 10	600	630	661	25 x 2,5	323	M 10	0.8	1
LGS 630	542960 1)	M 8 / M 10	630	660	691	25 x 2,5	338	M 10	0.8	1
LGS 710	542962 1)	M 8 / M 10	710	740	771	25 x 2,5	378	M 10	0.8	1
LGS 800	024643 1)	M 8 / M 10	800	831	861	25 x 3,0	424	M 10	0.8	1
LGS 900	024644 1)	M 8 / M 10	900	931	960	25 x 3,0	474	M 10	0.8	1
LGS 1000	024645 1)	M 8 / M 10	1000	1031	1060	25 x 3,0	527	M 10	0.8	1
LGS 1120	024646 1)	M 8 / M 10	1120	1151	1183	25 x 3,0	584	M 10	0.8	1
LGS 1250	024647 1)	M 8 / M 10	1250	1281	1313	25 x 3,0	649	M 10	0.8	1

1) The installation with two threaded rods allows to double the given recommended loads.

Fastening components - Duct hanger L- and Z-type



2f
Airduct and metal roof fixings

APPLICATIONS

- Fastening component with sound-insulation

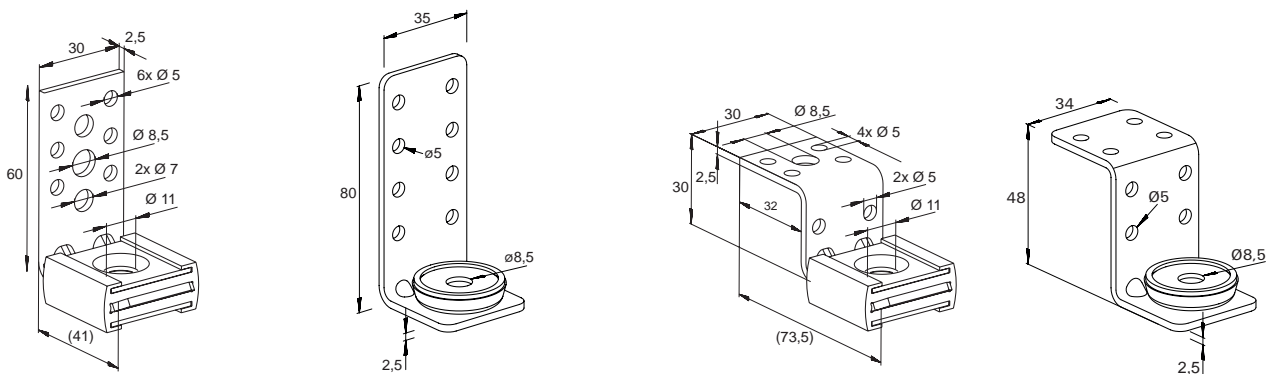
ADVANTAGES/BENEFITS

- The ceiling hanger's sound-insulation element reduces the transfer of vibration and noise.
- The multiple holes on the ceiling attachments allow a quick and easy fastening with self-drilling screws or rivets.
- The through hole in the ceiling hangers allows a simple alignment and height adjustment of the threaded rod.

PROPERTIES

- Material:** steel DD11 (material no. 1.0332) acc. to DIN EN 10111
- Zinc plating:** electro zinc-plated, min. 3 µm
- Sound insulation:** for DIN 4109
- Temperature range:** -50 °C to +110 °C
- Hardness:** 45 ± 5° Shore A
- Fire behaviour:** DIN 4102: Class B2

TECHNICAL DATA



LKHN

LKH

ZKHN

ZKH

Item	Art.-No.	For thread	Max. recom. static load (centr. tension) N _{recom.} [kN]	Sales unit [pcs]
LKHN	516537	M 8 / M 10	0.90	50
LKH	024671	M 8	0.50	50
ZKHN	516540	M 8 / M 10	0.90	50
ZKH	024674	M 8	0.50	50

Fastening components - Spiral duct hanger LRB and LRBN



Spiral duct pipe with sound insulated hanger

APPLICATIONS

- Fastening component with sound-insulation (riveted and inserted versions)

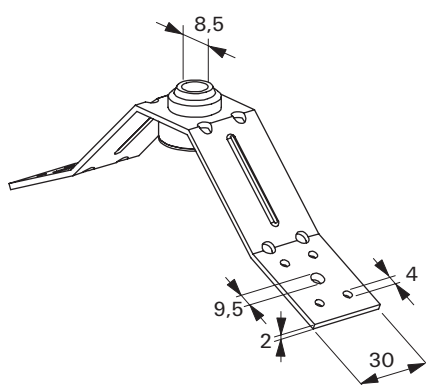
ADVANTAGES/BENEFITS

- The multiple holes on the duct hangers allow a quick and easy fastening with self-drilling screws or rivets.
- The duct hangers sound-insulation element reduces the transfer of vibration and noise.
- The through hole in the duct hangers allows the simple alignment and height adjustment of the threaded rod.
- The riveted version gives the ceiling hanger increased stability.
- The specified shape of the duct hangers allow an ideal adjustment to suit the pipe diameter.
- The design of the LRB / LRBN offers an alternative use as a sound-insulated profile hanger.

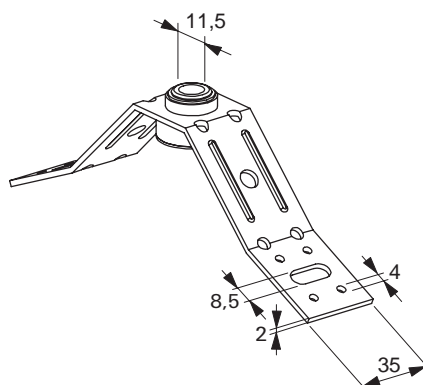
PROPERTIES

- Material LRB:** steel DD11 (material no. 1.0332) acc. to DIN EN 10111
- Zinc plating LRB:** electro zinc-plated, min. 3 µm
- Material LRBN:** steel S235 JR (material no. 1.0037) acc. to DIN EN 10025
- Zinc plating LRBN:** electro zinc-plated, min. 8 µm
- Sound insulation:** for DIN 4109
- Temperature range:** -50 °C to +110 °C
- Hardness:** 45 ± 5° Shore A
- Fire behaviour:** DIN 4102: Class B2

TECHNICAL DATA



LRB



LRBN

Item	Art.-No.	For thread	Max. recom. static load (centr. tension)	Sales unit
			[kN]	[pcs]
LRB	024675	M 8	0.5	50
LRBN	077613	M 8 / M 10	0.9	50

Metal ceiling hanger - Profile hanger TZ / TZA / TZH



2f Airduct and metal roof fixings

APPLICATIONS

- Fastening element for trapezoidal sheets (available in three versions)
- Sprinkler system version to be fixed with screw SKS M8x100 in punched hole
- Fixing of pipes with self drilling screws or steel blind rivets

ADVANTAGES/BENEFITS

- The VdS approval for TZ/TZH and the FM approval for the TZA guarantee independently tested safety.
- The TZH's adjustable nut allows a simple, post-installation height adjustment.
- The specified bending points of the TZ/TZH/TZA allow the ideal adjustment to suit the shape of the trapezoidal sheet.

CERTIFICATES



G 410037 / G 410034

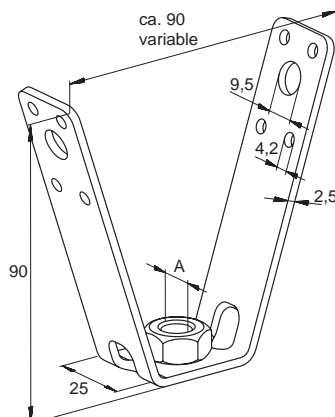


From thread M10.

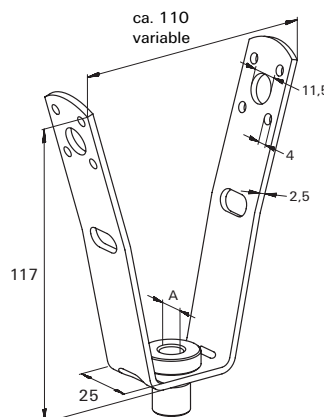
PROPERTIES

- Material:** steel DX51D+Z 140-275 (material no. 1.0226+Z) acc. to DIN EN 10327; DD11 acc. to DIN EN 10111
- Zinc plating:** electro zinc-plated, $\geq 7 \mu\text{m}$

TECHNICAL DATA

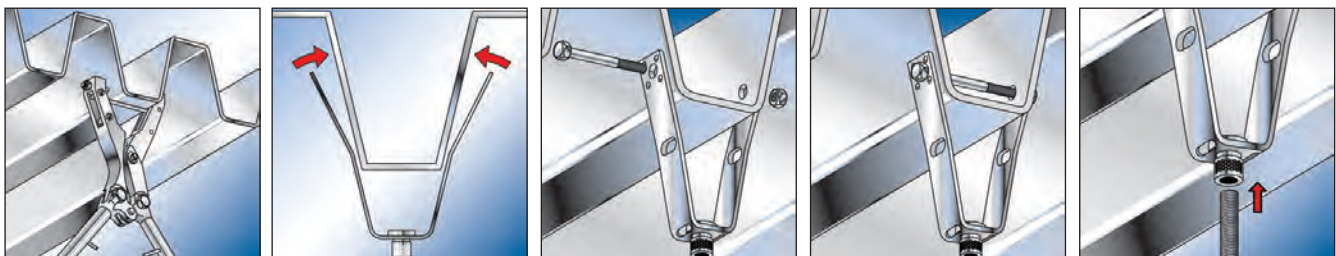


TZ



TZH

Item	Art.-No.	VdS approved	FM approved	Thread	Max. recom. statc load (centr. tension)	Sales unit
				A		
TZ M 8	064094	X	—	M 8	3.0	25
TZ M 10	064095	X	—	M 10	3.0	25
TZA M10	524047	—	X	M 10	3.0	50
TZH M 8	079825	X	—	M 8	4.0	25
TZH M 10	079826	X	—	M 10	4.0	25





APPLICATIONS

- Tool for punching holes in steel sheets

PROPERTIES

- Usable for trapezoidal steel sheet with max. opening width between stamps of 67 mm
- Max. sheet thickness 1,25 mm

TECHNICAL DATA



Item	Art.-No.	Max. sheet thickness	Sales unit
		[mm]	[pcs]
LZ	079830	1.25	1

TECHNICAL DATA



Item	Art.-No.	Sales unit
		[pcs]
LST 10	079829	2

SEE ALSO

	SKS see page 185		MU see page 186
---	----------------------------	---	---------------------------

Fastening components - Rubber inlay EMS



Air duct with sound insulation on installation channel

2f
Air duct and metal roof fixings

APPLICATIONS

- Profile rubber to insert in channels
- Sound insulation of large ducting

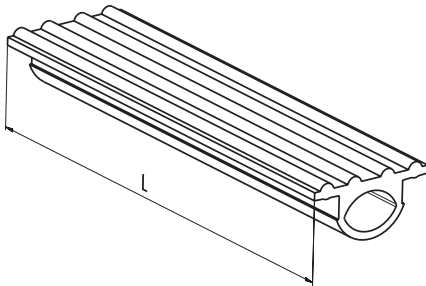
ADVANTAGES/BENEFITS

- The channel rubber EMS provides sound insulation between components.
- The design of the rubber EMS allows it to be used in channels and threaded rods.

PROPERTIES

- **Material sound insulation:** SBR/EPDM chlorine-free and silicone-free
- **Sound insulation:** special noise-absorbing lining
- **Temperature range:** -50 °C to +110 °C
- **Hardness:** 45 ± 5° Shore A
- **Fire behaviour:** DIN 4102: Class B2

TECHNICAL DATA



Item	Art.-No.	For profile	Length	Sales unit
			[m]	[pcs]
EMS 31	538752	all FLS channels	25	1
EMS 41	550806	all FUS channels	6	1



2g Accessories

	Page		Page		Page
BASE PLATES		THREADED CONNECTORS		STRAPS	
Base plate GPL	 178	Multi connector MW	 181	Textile web strapping GWB	 189
Base plate GPR	 178	Threaded rod G / Threaded stud GS	 176	Perforated steel banding LBV / LBK	 190
Double connector plate DPP, DPF	 183	Bolt connector SBB	 184	Impact nail ED	 191
STEEL WORK CONNECTORS		Hexagonal nut MU	 186		
Clamp hanger TKL	 172	Washer U	 185		
Beam Clamp Steel TKLS Steel Bite	 174	Reduction pieces	 187		
		Hexagonal screw SKS	 185		
		Stud screw STST with bit head and Hex shank	 179		
LEVEL ADJUSTMENT		Installation tool for stud screw HED	 184		
Turnbuckle SPS, Bolt left-hand/ right-hand BLR	 184	Hexagonal connector VM	 186		
Parallel connector PV	 182	Eyebolt AG	 188		
Support hanger AHB	 180	Thread hanger RAH	 187		
		Reduction socket RDM and GRD	 188		
		Flat eye screw LLS	 188		



APPLICATIONS

- Clamp hangers allow for simple fixing by clamping direct to steel girders
- Safety plates SS-TKL are required for VdS equipment over Ø 65 mm

ADVANTAGES/BENEFITS

- The TKL design with its clamping screw allows for fixing to steel girders without the need for welding and drilling.
- The design of the clamping screw prevents it from slipping from the steel girder.
- VdS/FM/UL certificates guaranty independently tested safety.
- The solid TKL design guarantees a high load-bearing capacity.
- The TKL with locking screw guarantees quick and easy installation.
- The TKL with through-hole allows for height adjustment after installation.

CERTIFICATES

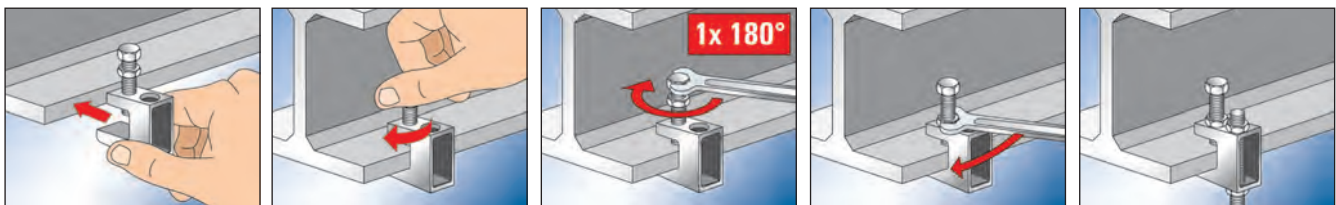


G 410037 / G 410034

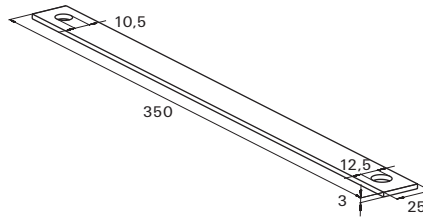
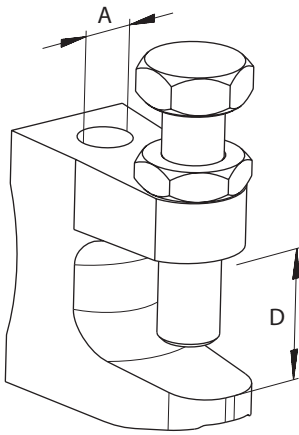


PROPERTIES

- **Material TKL:** malleable cast iron EN-GJMB-350-10 acc. to DIN 1562
- **Material bolt:** steel 8.8 acc. to ISO 4017
- **Material nut:** steel acc. to ISO 4035, Strength category 4
- **Material SS-TKL:** steel DX5 1D (material no. 1.0226) acc. to EN 10214
- **Zinc plating:** electro zinc-plated, min. 5 µm



TECHNICAL DATA

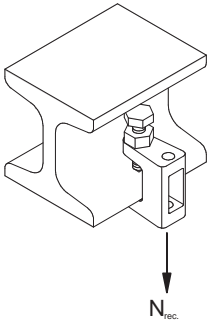


TKL

SS-TKL

Item	Art.-No.	VdS approved	FM approved	UL approved	Clamping range	Thread	Sales unit
					D [mm]	A	[pcs]
TKL L M 8	064055	X	–	–	0 - 18	M 8	50
TKL M 8	079687	X	–	–	0 - 23	M 8	50
TKL L Ø 9	077605	X	–	–	0 - 18	Ø 9	50
TKL M 10	079688	X	X	X	0 - 20	M 10	50
TKL Ø 11	079689	X	X	X	0 - 20	Ø 11	50
TKL M 12	020949	X	X	X	0 - 26	M 12	50
TKL Ø 13	043275	X	X	X	0 - 26	Ø 13	50
SS-TKL M10/M12	048154	X	–	–	–	Ø 10 / Ø 12	25

LOADS



Item	Art.-No.	Max. recom. static load (centr. tension)	
		$N_{\text{recom.}}$ [kN]	
TKL L M 8	064055	1.20	
TKL M 8	079687	2.50	
TKL L Ø 9	077605	1.20	
TKL M 10	079688	2.50	
TKL Ø 11	079689	2.50	
TKL M 12	020949	3.50	
TKL Ø 13	043275	3.50	

Beam Clamp allows simple fixing by hammering to steel beams



2g

Accessories

APPLICATIONS

- All kind of fixings by threaded rods to steel beams with sloping flange plate up to 14%
- Safety plates SS-TKL are required for VdS equipment over \varnothing 65 mm

ADVANTAGES/BENEFITS

- The TKLS design with hammering wedge allows fixing to steel beams without the need of welding and drilling.
- The teeth of the TKLS Steel Bite effectively prevent from slipping of the steel beam.
- VdS and FM approval guarantees objectively tested functional safety.
- The TKLS Steel Bite made of steel guarantees highest load-bearing capacity.
- The TKLS Steel Bite allows pre-assembling of threaded rods and for retrospective height adjustment.

CERTIFICATES



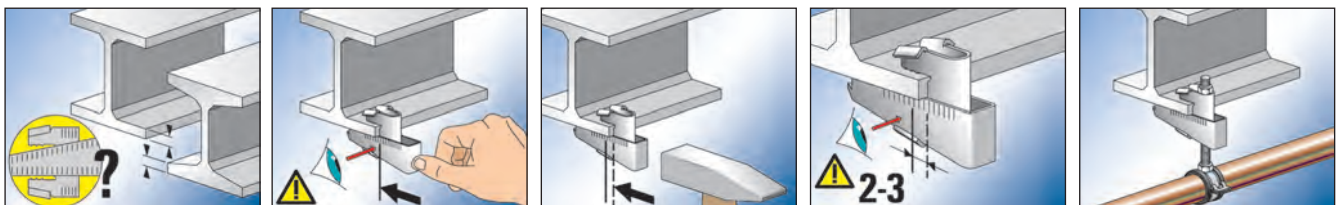
G 414027



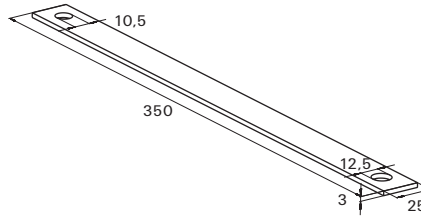
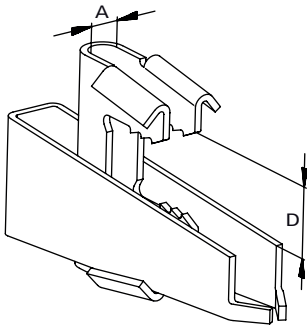
From thread M10.

PROPERTIES

- **TKLS: material:** steel HX420LAD+ZAD, material no. 1.0935, DIN EN 10346
- **TKLS: Zinc plating:** electro zinc-plated, min. 7 μ m
- **SS-TKL: Material:** steel DX51D acc. to EN 10214, material no. 1.0226
- **SS-TKL: Zinc plating:** electro zinc-plated, min. 5 μ m



TECHNICAL DATA



TKLS

SS-TKL

Item	Art.-No.	VdS approved	FM approved	Hole-Ø	Clamping range	Sales unit
				A [mm]	D [mm]	[pcs]
TKLS Ø 9	531134	X	–	9	8 - 20	25
TKLS Ø 11	531136	X	X	11	8 - 20	25
TKLS Ø 13	531137	X	X	13	8 - 20	25
TKLS Ø 17	531138	X	X	17	11 - 26	16
SS-TKL M10/M12	048154	X	–	–	–	25

LOADS

Item	Art.-No.	Max. recom. static load (centr. tension)	Max. recom. pipe-Ø acc. VDS CEA 4001
		$N_{recom.}$ [kN]	
TKLS Ø 9	531134	2.00	≤ DN 50
TKLS Ø 11	531136	3.50	> DN 50 ≤ DN 100
TKLS Ø 13	531137	5.00	> DN 100 ≤ DN 200
TKLS Ø 17	531138	10.00	> DN 200 ≤ DN 250

2g

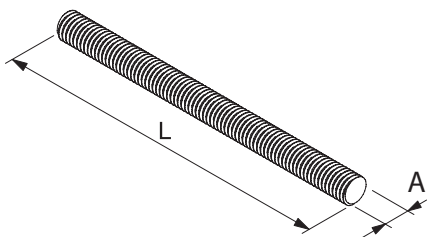
Accessories



PROPERTIES

- **Material threaded rod G (G 6 - G 24):** DIN 976 steel 4.8 acc. to DIN EN ISO 898-1
- **Material threaded pipe G (G 1/2" - G 3/4"):** steel S235 JR (material no. 1.0037) acc. to DIN EN 10025
- **Material threaded stud GS:** DIN 976 Steel 4.6 acc. to DIN EN ISO 898-1
- **Zinc plating:** electro zinc-plated, min. 3 µm

TECHNICAL DATA

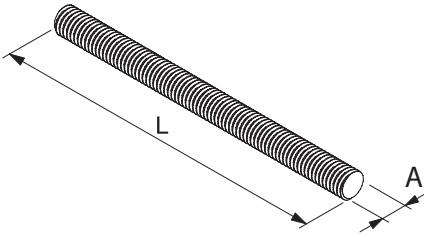


2g

Accessories

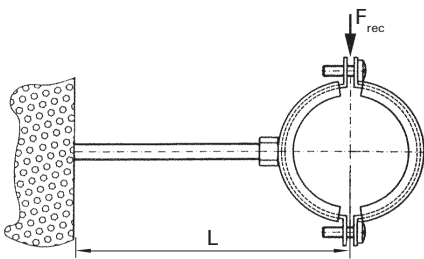
Item	Art.-No.	Length l [mm]	Thread A	Sales unit [pcs]
G 6	020956	1000	M 6	50
G 8	079740	1000	M 8	25
G 10	079744	1000	M 10	25
G 12	020957	1000	M 12	20
G 16	020958	1000	M 16	10
G 20	557295	1000	M 20	5
G 24	557270	1000	M 24	5
G 8/2	079741	2000	M 8	25
G 10/2	079745	2000	M 10	25
G 12/2	579746	2000	M 12	25
G 10/3	557092	3000	M 10	5
G 12/3	064056	3000	M 12	5
G 1/2"	064093	2000	1/2"	10
G 3/4"	077580	2000	3/4"	5
GS 6/25	544589	25	M 6	100
GS 6/40	544590	40	M 6	100
GS 6/50	544591	50	M 6	100
GS 6/70	544592	70	M 6	100
GS 6/80	544593	80	M 6	100
GS 6/100	544594	100	M 6	100
GS 8/25	079750	25	M 8	100
GS 8/40	079751	40	M 8	100
GS 8/50	079752	50	M 8	100
GS 8/60	079753	60	M 8	100
GS 8/70	079754	70	M 8	100
GS 8/80	079755	80	M 8	100
GS 8/100	079757	100	M 8	100
GS 8/120	535535	120	M 8	50
GS 8/150	079758	150	M 8	50
GS 8/180	535536	180	M 8	50
GS 8/200	079759	200	M 8	50
GS 10/25	079765	25	M 10	100
GS 10/40	079766	40	M 10	100
GS 10/60	079767	60	M 10	100
GS 10/80	079768	80	M 10	100

TECHNICAL DATA



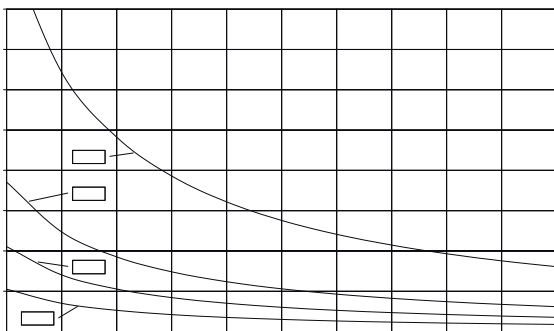
Item	Art.-No.	Length	Thread	Sales unit
		l [mm]	A	[pcs]
GS 10/100	079769	100	M 10	100
GS 10/120	079770	120	M 10	50
GS 10/150	079771	150	M 10	50
GS 10/200	079772	200	M 10	50
GS 12/40	091442	40	M 12	100
GS 12/60	091443	60	M 12	100
GS 12/80	091444	80	M 12	100
GS 12/100	091461	100	M 12	100
GS 12/120	091462	120	M 12	50
GS 12/150	091463	150	M 12	50
GS 12/200	091464	200	M 12	50

RECOMMENDED LOAD

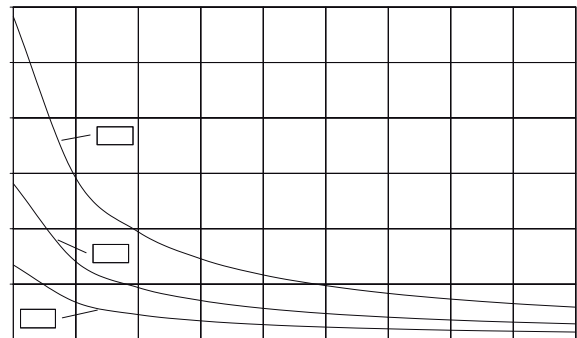


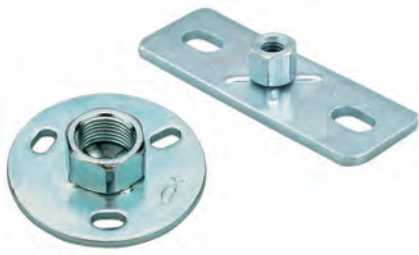
Maximum deflection under load: $f_{max} \leq 3 \text{ mm}$
 Permissible steel tension: $\sigma_{ad} = 160 \text{ N/mm}^2$

THREADED RODS (4.6)



THREADED PIPES





APPLICATIONS

- Base plate in a light, heavy and round version with welded-on threaded sleeve

ADVANTAGES/BENEFITS

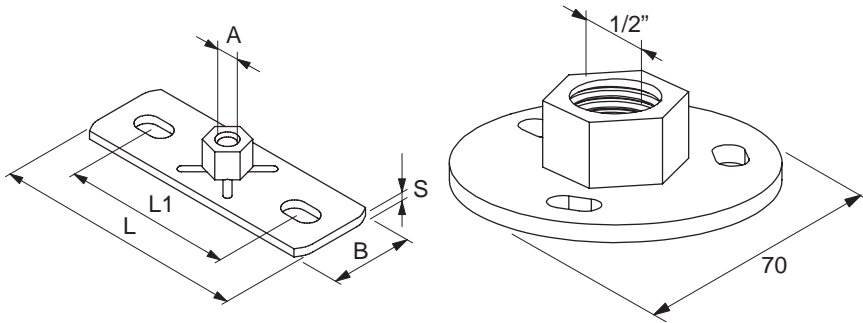
- The base plate's slots allow easy alignment.

PROPERTIES

- **Material:** steel DD11 (material no. 1.0332) acc. to DIN EN 10111
- **Zinc plating:** electro zinc-plated, min. 8 µm

2g

TECHNICAL DATA



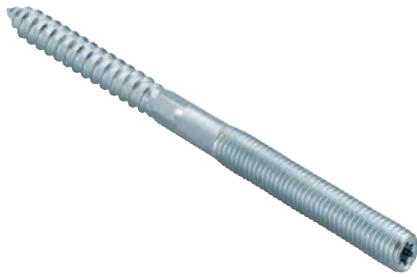
GPL / GPS

GPR

Item	Art.-No.	Thread	Length	Width B	Hole spacing	Slot	Thickness	Sales unit
		A	l [mm]	B [mm]	L1 [mm]	L x s [mm]	S [mm]	[pcs]
GPL M 8	079665	M 8	80	30	54	9 x 16	3	25
GPL M 10	079666	M 10	80	30	54	9 x 16	3	25
GPL 1/2"	079667	1/2"	80	30	54	9 x 16	3	25
GPS M 10	079671	M 10	120	40	79	11 x 19	4	25
GPS M 12	040398	M 12	120	40	79	11 x 19	4	25
GPS M 16	504408	M 16	120	40	79	11 x 19	4	25
GPS 1/2"	079672	1/2"	120	40	79	11 x 19	4	25
GPS 3/4"	020968	3/4"	120	40	79	11 x 19	4	25
GPR 1/2"	037289	1/2"	–	–	–	11 x 7	4	25

LOADS

Item	Art.-No.	Max. recom. static load (centr. tension)	
		$N_{recom.}$ [kN]	
GPL M 8	079665	2.40	
GPL M 10	079666	2.40	
GPL 1/2"	079667	2.40	
GPS M 10	079671	4.00	
GPS M 12	040398	4.00	
GPS M 16	504408	4.00	
GPS 1/2"	079672	4.00	
GPS 3/4"	020968	4.00	
GPR 1/2"	037289	4.00	



APPLICATIONS

- Threaded connectors stud screw STST
- Wood and metric screw combination for direct installation of clamps onto a wall

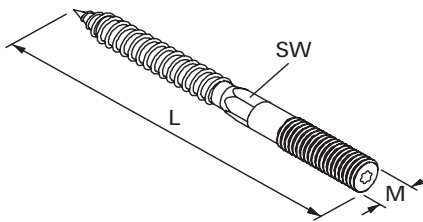
ADVANTAGES/BENEFITS

- Fixing with a Nylon plug to brick or direct into timber construction is simple with the torx drive or the integrated hexagon.

PROPERTIES

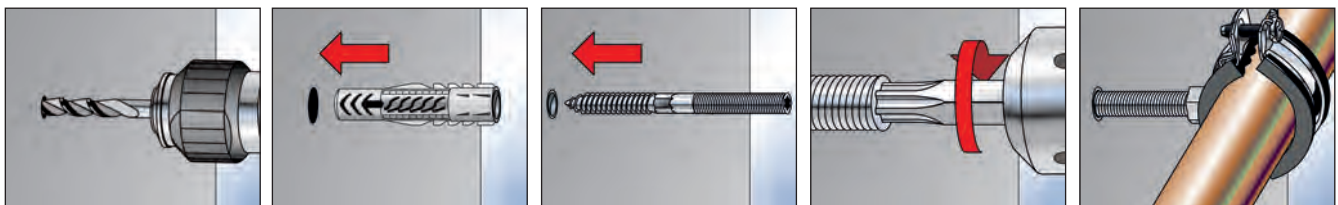
- **Material:** steel 4.6 acc. to DIN EN ISO 898-1
- **Zinc plating:** electro zinc-plated, min. 3 µm

TECHNICAL DATA



Item	Art.-No.	Length	Thread	Drive	Width across nut	Sales unit
		l [mm]	M		○SW [mm]	
STST 6 x 60	504400 1)	60	M 6	T15	—	100
STST 6 x 80	077714 1)	80	M 6	T15	—	100
STST 8 x 50	079780 1)	50	M 8	T25	—	100
STST 8 x 60	079781	60	M 8	T25	6	100
STST 8 x 80	079782	80	M 8	T25	6	100
STST 8 x 100	079783	100	M 8	T25	6	100
STST 8 x 120	079784	120	M 8	T25	6	100
STST 8 x 140	079785	140	M 8	T25	6	50
STST 8 x 180	079786	180	M 8	T25	6	50
STST 10 x 60	077689	60	M 10	T25	8	100
STST 10 x 80	077707	80	M 10	T25	8	100
STST 10 x 100	077708	100	M 10	T25	8	100
STST 10 x 120	077709	120	M 10	T25	8	100
STST 10 x 140	077711	140	M 10	T25	8	50
STST 10 x 180	077712	180	M 10	T25	8	50
STST 12 x 100	535541	100	M 12	T30	10	100
STST 12 x 160	535542	160	M 12	T30	10	50

1) without hex shank





Height adjustable pipe installation

APPLICATIONS

- Component for height adjustment
- A washer should be used when using size M8 threaded rods
- Use of washer when using threaded rods of size M8

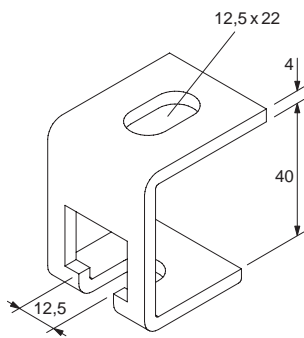
ADVANTAGES/BENEFITS

- The seat of the support hanger allows subsequent height regulation at any time.
- The base plate's long slot allows the support hanger to be easily aligned.
- The perforated opening means that a component can be simply hung and adjusted using a threaded rod and nut.

PROPERTIES

- **Material:** steel DD11 (material no. 1.0332) acc. to DIN EN 10111
- **Zinc plating:** electro zinc-plated, min. 5 µm

TECHNICAL DATA



Item	Art.-No.	For thread	Sales unit [pcs]
AHB	079675	M8, M10, M12	25

LOADS

Item	Art.-No.	Max. recom. static load (centr. tension) N _{recom.} [kN]
AHB	079675	1.20



Fixation with multi-connector

APPLICATIONS

- Cube with four threaded drill holes for simple connection
- Ideal for connecting threaded rod and bolts at 90°

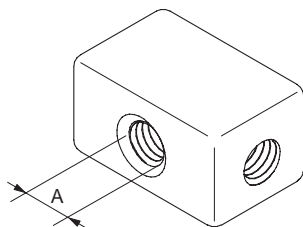
ADVANTAGES/BENEFITS

- The design of the mounting cube provides flexibility when it comes to connecting pipe clamps or threaded rods.
- The mounting cube allows for the simultaneous fixing of 3 pipelines.

PROPERTIES

- **Material:** diecasting

TECHNICAL DATA



Item	Art.-No.	Thread A	Sales unit [pcs]
MW M 8	079717	M 8	50

LOADS

Item	Art.-No.	Max. recom. static load (centr. tension) N _{recom.} [kN]
MW M 8	079717	2.50



APPLICATIONS

- Simple, quick-mount connector for extending and connecting threaded rods
- Parallel connector for extending threaded rods
- Secure using locking nut

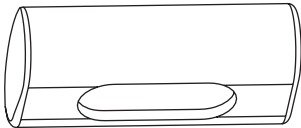
ADVANTAGES/BENEFITS

- The parallel connector's design allows the threaded rods to be installed quickly.
- Designed for simple and fast height adjustment.
- The PV allows the height to be adjusted during installation.

PROPERTIES

- **Material:** diecast

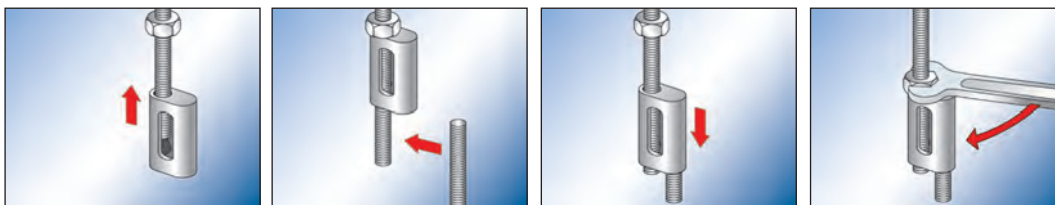
TECHNICAL DATA



Item	Art.-No.	For thread	Sales unit
			[pcs]
PV M 6	020947	M 6	100
PV M 8	079678	M 8	100

LOADS

Item	Art.-No.	Max. recom. static load (centr. tension)	
		$N_{recom.}$ [kN]	
PV M 6	020947	0.30	
PV M 8	079678	2.00	





APPLICATIONS

- Fastening element for the installation of two parallel pipelines with just one fastening point

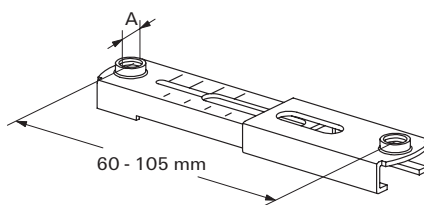
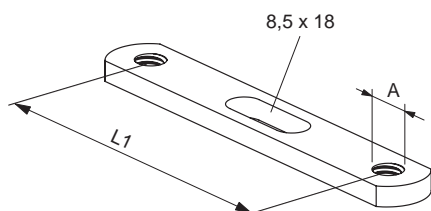
ADVANTAGES/BENEFITS

- The double connector plate design saves a fastening point for the fastening of two pipelines.
- The two-part double connector plate DPF is suitable for variable pipe spacing.
- The base plate's long slots allow the double connector plate to be easily aligned.
- The rounded design of the connector plate is ideal for a visual installation.

PROPERTIES

- Material DPP:** DC04 (material no. 1.0338) acc. to DIN EN 10130
- Material DPF:** DC01 (material no. 1.0330) acc. to DIN EN 10130
- Zinc plating:** electro zinc-plated, min. 5 µm

TECHNICAL DATA



DPP

DPF

Item	Art.-No.	Length L ₁	Thread	Sales unit
		[mm]	A	[pcs]
DPP 65	079702	65	M 8	50
DPP 85	079703	85	M 8	50
DPP 105	079704	105	M 8	50
DPF 60 - 105	024648	60 - 105	M 8	50

LOADS

Item	Art.-No.	Max. recom. static load (centr. tension)	
		N _{recom.} [kN]	
DPP 65	079702	1.50	
DPP 85	079703	1.00	
DPP 105	079704	0.75	
DPF 60 - 105	024648	1.5 - 0.5	

Bolt connector SBB

TECHNICAL DATA



Bolt connector **SBB**

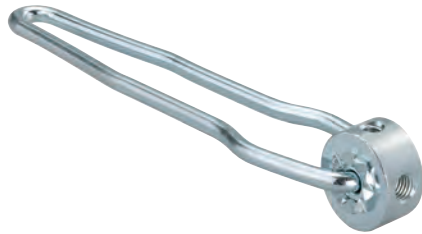
PROPERTIES

- **Material:** steel S235 JR (material no.: 1.0037) acc. to DIN EN 10025
- **Zinc plating:** electro zinc-plated, min. 8 µm

Item	Art.-No.	Length	Thread	Sales unit
		l [mm]	A	[pcs]
SBB 35	079705	35	M 8	100
SBB 45	079706	45	M 8	100
SBB 55	079707	55	M 8	100

Installation tool for stud screw HED

TECHNICAL DATA



Installation tool **HED**

APPLICATIONS

- Tool for installing stud screws STST
- 4 thread sizes in 1 tool

Item	Art.-No.	Thread	Sales unit
		M	[pcs]
HED	079831	M6, M8, M10, M12	1

Turnbuckle SPS, Bolt left-hand/right-hand BLR

TECHNICAL DATA



Turnbuckle **SPS**, Bolt left-hand/right-hand **BLR**

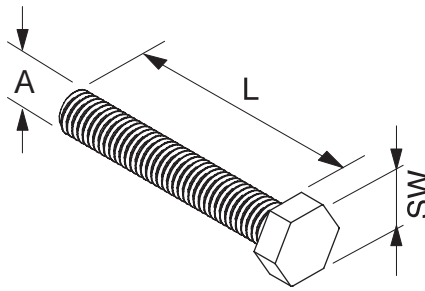
PROPERTIES

- **Material SPS:** steel ≥ 330 N/mm² acc. to DIN 1480
- **Material BLR:** steel acc. to DIN 976, resistance 4.6
- **Zinc plating:** electro zinc-plated, min. 5 µm

Item	Art.-No.	Length	Thread	Max. recom. static load (centr. tension)	Sales unit
		l [mm]	M	N _{recom.} [kN]	[pcs]
SPS M 10	537211	125	M 10	10,00	25
BLR 100 M10	537210	100	M 10	10,00	25
SPS M 12	064090	125	M 12	15,00	25
BLR 100 M12	064091	100	M 12	15,00	25

Hexagonal screw SKS

TECHNICAL DATA



PROPERTIES

- **Material:** steel acc. to DIN-EN-ISO 4017, steel 8.8
- **Zinc plating:** electro zinc-plated, min. 3 µm

Hexagonal bolt SKS

Item	Art.-No.	Length		Thread	Width across nut [mm]	Sales unit [pcs]
		L [mm]	A			
SKS 6 x 20	079711	20	M 6	10	100	
SKS 8 x 16	079415	16	M 8	13	100	
SKS 8 x 30	079713	30	M 8	13	100	
SKS 8 x 45	079714	45	M 8	13	100	
SKS 8 x 55	079715	55	M 8	13	100	
SKS 8 x 100	079827	100	M 8	13	100	
SKS 10 x 20	079416	20	M 10	17	100	
SKS 10 x 30	079417	30	M 10	17	100	
SKS 10 x 55	079721	55	M 10	17	100	
SKS 10 x 65	535537	65	M 10	17	50	
SKS 10 x 85	505552	85	M 10	17	100	
SKS 12 x 25	535538	25	M 12	19	100	
SKS 12 x 65	535539	65	M 12	19	50	
SKS 12 x 85	505553	85	M 12	19	100	

Washer U

TECHNICAL DATA



PROPERTIES

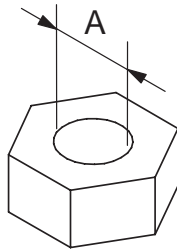
- **Material:** steel acc. to DIN 10139
- **Zinc plating:** electro zinc-plated, min. 3 µm

Washer U

Item	Art.-No.	Thickness		Hole-Ø D [mm]	External-Ø d [mm]	Sales unit [pcs]
		S [mm]				
U 6 x 12	544595	1.6		6.4	12	100
U 8 x 17	091477	1.6		8.4	17	100
U 8 x 28	079725	2		8.4	28	100
U 8 x 40	079729	3		8.4	40	100
U 10 x 21	091478	2		10.5	21	100
U 10 x 28	079726	2		10.5	28	100
U 10 x 40	079730	3		10.5	40	100
U 12 x 24	557301	2.5		12.5	24	100
U 12 x 40	024649	3		12.5	40	100
U 16 x 30	557303	3		16.5	30	50
U 16 x 40	535540	3		17	40	50

Hexagonal nut MU

TECHNICAL DATA



PROPERTIES

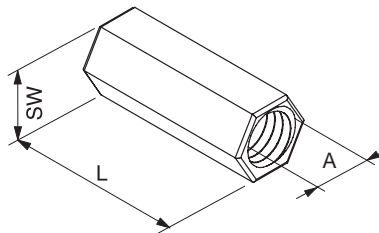
- **Zinc plating:** electro zinc-plated, 3 - 8 μm
- **Quality:** acc. DIN 934, resistance class 8

Hexagonal nut **MU**

Item	Art.-No.	Thread	Width across nut	Sales unit
		A	○ SW [mm]	[pcs]
MU M 6	079733	M 6	10	100
MU M 8	079734	M 8	13	100
MU M 10	079735	M 10	17	100
MU M 12	024650	M 12	19	100
MU M 16	557297	M 16	24	50
MU M 20	535532	M 20	30	15
MU M 24	535534	M 24	36	15

Hexagonal connector VM

TECHNICAL DATA



PROPERTIES

- **Material:** SAE 1008 (material no. 1.0213) acc. to DIN EN 10263-2
- **Zinc plating:** electro zinc-plated, 3 - 8 μm

Hexagonal connector **VM**

Item	Art.-No.	Length	Thread	Width across nut	Sales unit
		L [mm]	A	[mm]	[pcs]
VM M 6	014319	25	M 6	10	100
VM M 8	079690	30	M 8	11	100
VM M 10	079691	30	M 10	13	100
VM M 12	020971	40	M 12	17	100
VM M 16	508833	40	M 16	24	50

Eyebolt AG

TECHNICAL DATA



PROPERTIES

- **Material:** steel S235 JR (material no.: 1.0037) acc. to DIN EN 10025
- **Zinc plating:** electro zinc-plated, 3 - 8 μm

Eyebolt **AG**

Item	Art.-No.	Length	Thread	Eye-Ø	Max. recom. static load (centr. tension) $N_{\text{recom.}}$	Sales unit
		l [mm]	A	D [mm]	[kN]	[pcs]
AG 8 x 25	079696	25	M 8	8.5	5.00	100
AG 10 x 25	079697	25	M 10	12.0	8.00	100

Thread hanger RAH

TECHNICAL DATA



Thread hanger RAH

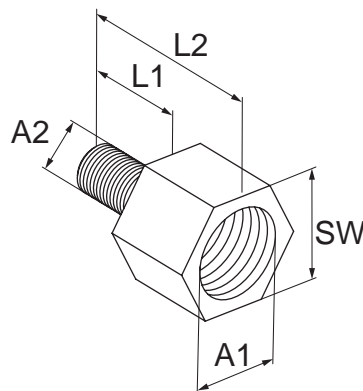
Item	Art.-No.	Thread	Eye-Ø	Max. recom. static load (centr. tension) N _{recom.} [kN]	Sales unit [pcs]
		A	D [mm]		
RAH M 8	079698	M 8	12.0	4.00	50
RAH M 10	079699	M 10	12.0	4.00	50

PROPERTIES

- **Material:** malleable cast iron GJMB 350-10 acc. to DIN 1562
- **Zinc plating:** electro zinc-plated, 3 - 8 µm

Reduction piece RD

TECHNICAL DATA



Reduction piece RD

PROPERTIES

- **Material:** 1.1SMnPb30 (material no. 1.0718) acc. to DIN EN 10087
- **Zinc plating:** electro zinc-plated, 3 - 8 µm

Item	Art.-No.	Internal thread	External thread	Length L ₁	Length L ₂	Width across nut	Sales unit [pcs]
		A1	A2	[mm]	[mm]	○ SW [mm]	
RD M 6 / M 8	079694	M 6	M 8	8,5	20	13	100
RD M 8 / M 6	020936	M 8	M 6	7	19	13	100
RD M 10 / M 8	079692	M 10	M 8	8	23	13	50
RD M 12 / M 10	079693	M 12	M 10	10	25	17	100
RD M 12 / M 16	504397	M 12	M 16	14	32	19	50
RD M 16 / M 12	504399	M 16	M 12	10	32	24	50
RD 1/2" / M10	079695	1/2"	M 10	10	29	24	10
RD M 16 / M 12 long	538080	M 16	M 12	25	46.5	24	10
RD 1/2" / M10 long	537215	1/2"	M 10	20	39	24	10
RD 3/4" / M 12 long	537213	3/4"	M 12	25	46.5	30	10
RD 3/4" / M 16 long	537214	3/4"	M 16	25	46.5	30	10

Reduction socket RDM and GRD

TECHNICAL DATA



Reduction socket **RDM**

Reduction socket **GRD**

PROPERTIES

- **Material RDM:** SAE 1008
- **Material GRD:** 11SMnPb30 (material no. 1.0718) acc. to DIN EN 10277
- **Zinc plating:** electro zinc-plated, 3 - 8 µm

Item	Art.-No.	Thread	Thread	Sales unit
		A	A2	[pcs]
RDM M 10 / M 8	079413	M 8	M 10	50
RDM M 12 / M 10	079414	M 10	M 12	100
GRD 1/2" / M 10	077609	1/2"	M 10	100
GRD 1/2" / M 12	077608	1/2"	M 12	100
GRD 3/4" / M 10	077607	3/4"	M 10	100
GRD 3/4" / M 12	077606	3/4"	M 12	100

Flat eye screw LLS

TECHNICAL DATA



Flat eye screw **LLS**

PROPERTIES

- **Material:** steel S235 JR (material no.: 1.0037) acc. to DIN EN 10025
- **Zinc plating:** electro zinc-plated, 3 - 8 µm

Item	Art.-No.	Length	Thread	Eye-Ø	Sales unit
		L [mm]	[mm]	[mm]	[pcs]
LLS 6 x 50	079700	50	6	8.5	100
LLS 8 x 50	079701	50	8	10.5	100



APPLICATIONS

- Tear-proof textile tape for simple and load-bearing installation
- Fixing to concrete using the fischer impact nail ED

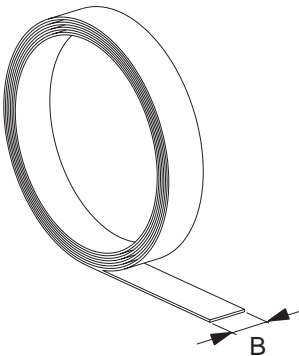
ADVANTAGES/BENEFITS

- Pipe fastening using textile tape allows cheap and simple installation.
- The textile tape roll allows the correct tape length to be chosen to suit the diameter in question.
- Hangings with textile tape are a fast solution for temporary fixings.

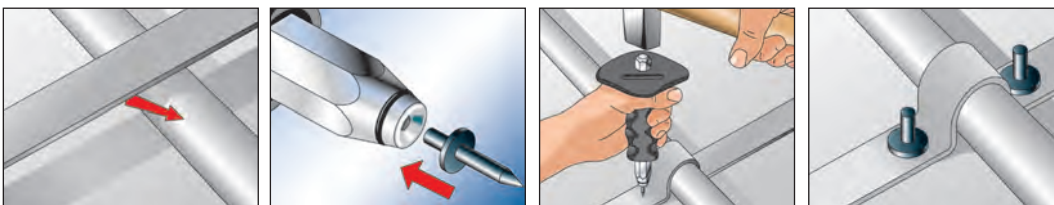
PROPERTIES

- **Material:** polypropylene

TECHNICAL DATA



Item	Art.-No.	Total length [mm]	Width [mm]	Thickness S [mm]	Sales unit [pcs]
GWB	020959	10000	15	1.1	10





APPLICATIONS

- Steel tape with stamped holes for simple installation; available zinc-plated LBV or plastic-covered LKB
- The fischer nail anchor FNA II is suitable for ceiling fixing in concrete
- Use fischer thread hanger RAH for fastening to threaded rods

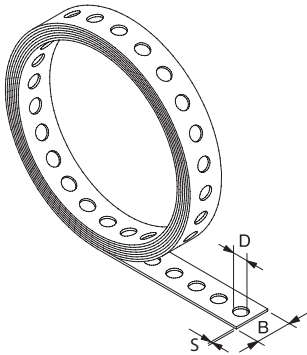
ADVANTAGES/BENEFITS

- The perforated tape's material thickness and plastic covering allows the tapes to be easily cut to size using metal shears.
- The perforated tape's hole geometry enables concrete fixing using the fischer impact nail ED.

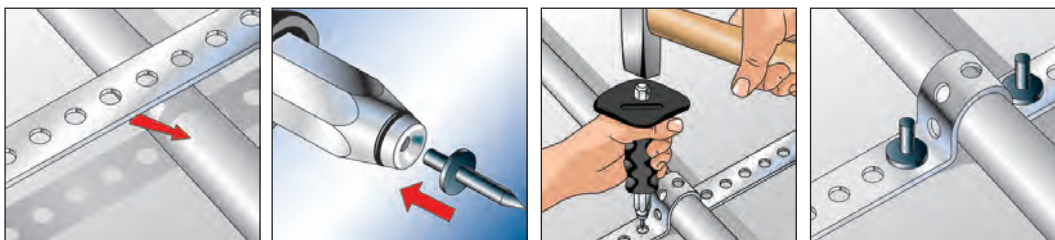
PROPERTIES

- **Material:** steel DX5 1D+Z (material no. 1.0226) acc. to DIN EN 10327
- **Zinc plating:** electro zinc-plated, min. 7 µm
- **Protective coating LBK:** PE

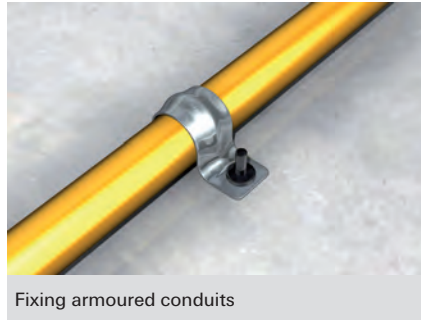
TECHNICAL DATA



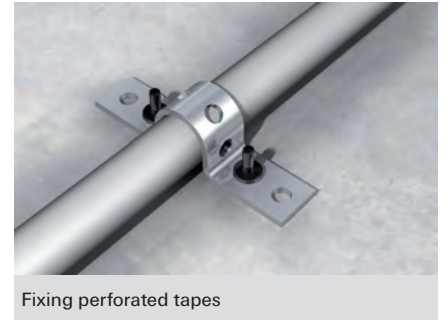
Item	Art.-No.	Total length	Width B	Thickness	Eye-Ø	Sales unit
		l [mm]	B [mm]	S [mm]	D [mm]	[pcs]
LBV 12	079549	10000	12	0.75	5	10
LBV 17	079550	10000	17	0.75	6.5	10
LBV 25	079551	10000	25	0.88	8.5	8
LBK 14	079553	10000	14	2.6	5	10
LBK 19	079554	10000	19	2.4	6.5	8
LBK 27	079555	10000	27	2.4	8.5	5



Fixing in concrete without pre-drilling



Fixing armoured conduits



Fixing perforated tapes

BUILDING MATERIALS

- Concrete

ADVANTAGES

- The stable impact nail ED can be set in concrete with the impact nail setting tool SZE without pre-drilling. This allows for a fast installation.
- The setting tool SZE impact protection provides the best protection for your hand, thus ensuring a safe installation.

APPLICATIONS

For fixing of:

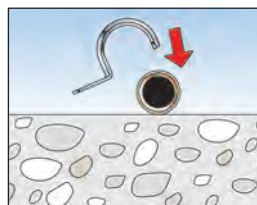
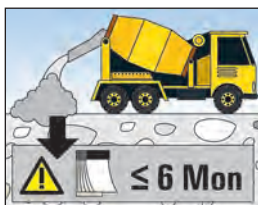
- Conduit clips such as BSM, BSMD, BSMZ
- Perforated band such as LBK, LBV

FUNCTIONALITY

- The impact nail ED is set in the setting tool SZE.
- The bracket in the setting tool holds the nail securely in place during the installation procedure.
- Pre-positioning of the element to be fixed.
- The nail can be hammered through the fixing element directly into the concrete (not older than 6 months).

2g

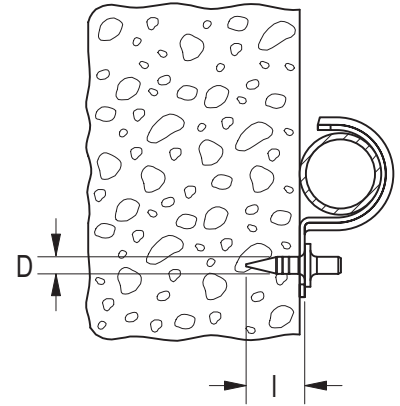
Accessories



TECHNICAL DATA



Impact nail **ED**



Item	Art.-No.	Length	Diameter	Sales unit				
		l [mm]	d [mm]	[pcs]				
ED 15	048212	15	4.0	200				
ED 18	079815	18	4.0	200				
ED 22	014570	22	4.0	200				

TECHNICAL DATA



Impact nail setting tool **SZE**



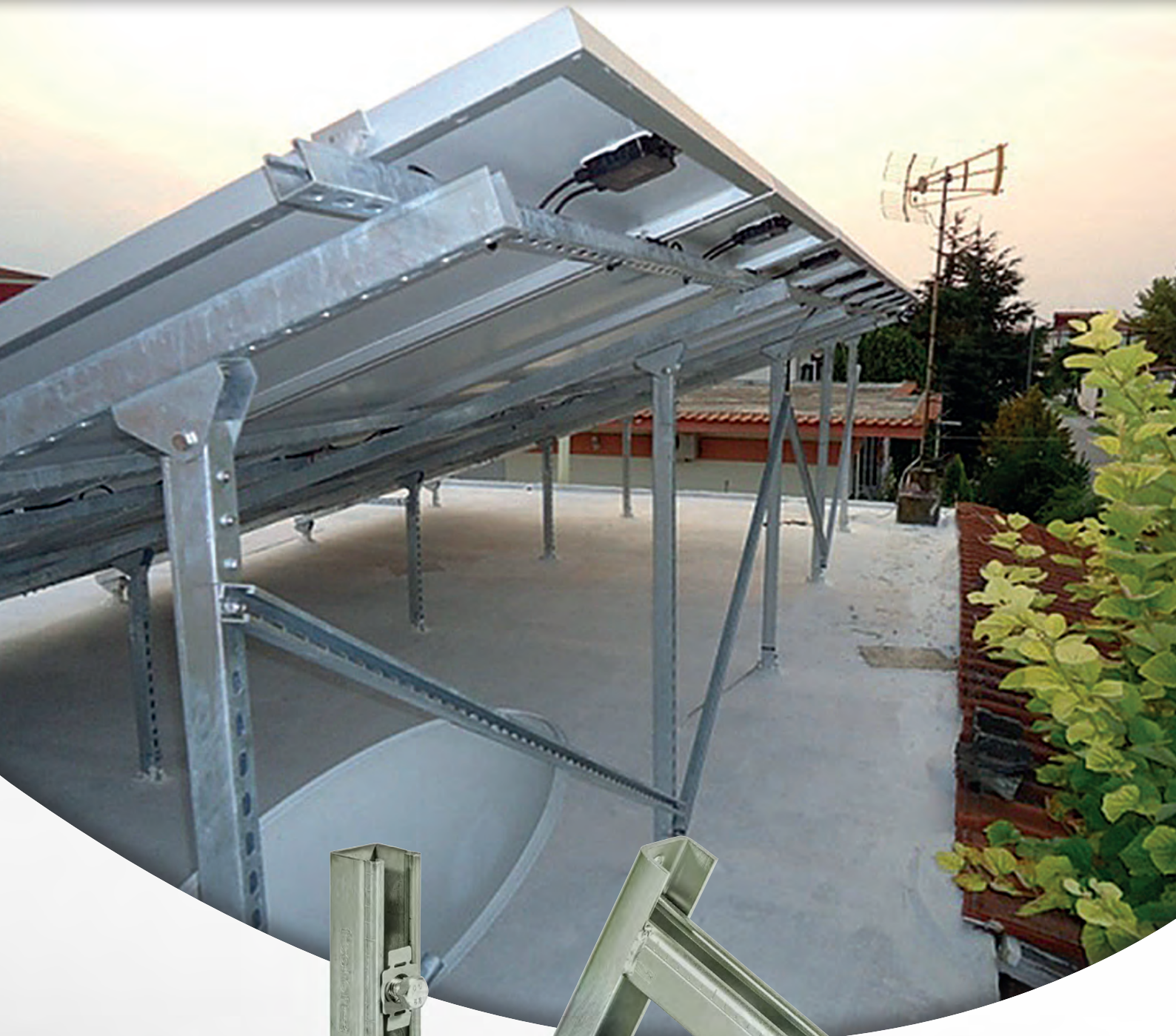
Toolset for **SZE**

Item	Art.-No.	Sales unit						
		[pcs]						
SZE	079820	1						
Toolset for SZE	043365	4						

2g
Accessories

2g

Accessories



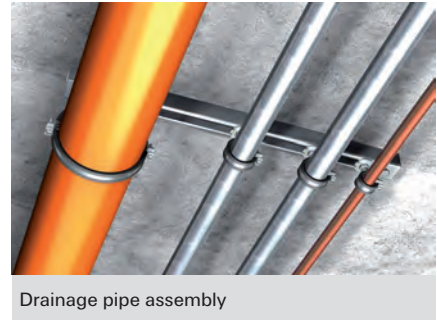
3 Installations system FUS hot-dip galvanised

	Page		Page		Page
PIPE CLAMPS		CONSTRUCTION ELEMENTS		Mounting bracket UWS hdg.	225
Pipe clamp FRS zl 	196	Channel connector FUF OC hdg. and PFUF OC zl 	203	Angle bracket WK hdg. 	226
SUSPENDED MOUNTING RAILS		Saddle flange PSF zl 	211	Bracket FFF hdg. 	232
Channel FUS hdg. 	198	Universal bracket PUWS zl 	212	Mounting bracket FAF fvz 	234
CONSOLES		Angle bracket PWK zl 	213	Flanges FUF hdg. 	235
Cantilever arm FCA hdg. 	204	Variable bracket PVB zl 	214	Variable bracket VB hdg. 	228
Large cantilever arm FCAM hdg. 	207	Bracing elements PSAE zl 	215	Threaded rod bracket FSB 45° hdg. 	229
Cover cap FEC 	208	Bracket PFFF zl 	217	Beam clamp TKR hdg. 	230
CONNECTORS		Bracket PFAF zl 	218	ACCESSORIES	
Push-through connector PFCN 41 zl 	209	Bracket PFUF zl 	219	Threaded rod G hdg. 	237
Connector FCN Clix P hdg. / FCN Clix M hdg. 	221	Brackets PFUF D zl 	220	Washer U hdg. 	237
Channel washer HK 41 hdg. 	223	Saddle flange SF hdg. 	224	Hexagonal nut MU hdg. 	238
				Hexagonal screw SKS hdg. 	238

FRS zl pipe clamp with high corrosion protection



Height adjustable pipe installation



Drainage pipe assembly

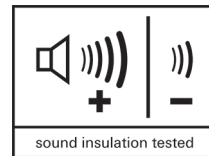
APPLICATIONS

- Secure fixing for pipes with threaded rods or stud screws (also when there are fire protection requirements)
- For indoor and outdoor applications and in environments with high stress to components due to corrosion

ADVANTAGES/BENEFITS

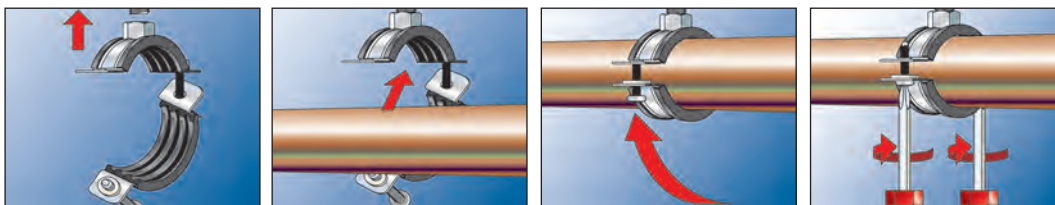
- The fire test report guarantees independently tested functional safety.
- The two screws allow an easy adjustment to suit the outer pipe diameter.
- The combination connecting nut with thread M8/M10 enables optimised mounting choices.
- The sound insulation insert offers noise protection and prevents contact corrosion.
- The screw's safety feature ensures trouble-free installation.
- The surface coating creates a high corrosion protection against environmental influences like humidity, water, saltwater or other corrosive substances.

CERTIFICATES

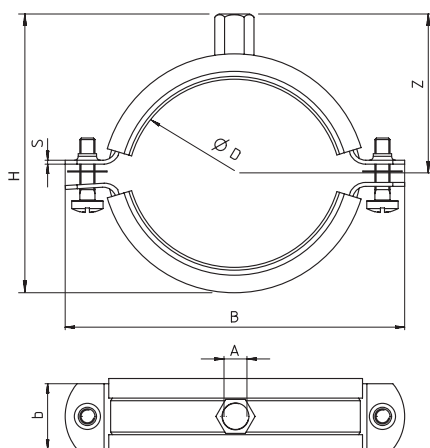


PROPERTIES

- **Material:** steel DC01 (material no. 1.0330) acc. to DIN EN 10130
- **Coating:** Zinclamella acc. to DIN EN ISO 10683 or 13858, min. 15 µm
- **Connecting nut:** resistance welded, M8 / M10, SW 13
- **Locking screw:** flat head screw with combination recessed head
- **Material sound insulation insert:** EPDM; chlorine-free; silicone-free
- **Sound insulation:** for DIN 4109
- **Temperature range:** -40 °C to +100 °C
- **Hardness:** 55 ± 5° Shore A
- **Fire behaviour:** DIN 4102: Class B2



TECHNICAL DATA

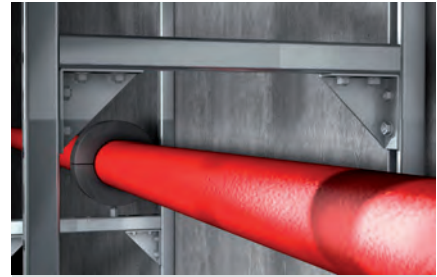


Item	Art.-No.	Fire test report	Thread	Size	Clamping range	Width B	Height H	Width x thickness clamp band	Height Z	Locking screw	Max. recom. static load (centr. tension)	Sales unit
			A	[inch]	D	B	H	b x s	Z		$N_{recom.}$ [kN]	
FRS 12 - 15 M8/M10 zl	537981	X	M 8 / M 10	1/4"	12 - 15	55	39	20 x 1.25	31	M 6	1.00	100
FRS 15 - 19 M8/M10 zl	537982	X	M 8 / M 10	3/8"	15 - 19	59	43	20 x 1.25	29	M 6	1.00	100
FRS 20 - 24 M8/M10 zl	537983	X	M 8 / M 10	1/2"	20 - 24	65	48	20 x 1.25	32	M 6	1.00	100
FRS 25 - 30 M8/M10 zl	537984	X	M 8 / M 10	3/4"	25 - 30	72	54	20 x 1.25	35	M 6	1.00	100
FRS 32 - 37 M8/M10 zl	537985	X	M 8 / M 10	1"	32 - 37	77	61	20 x 1.25	38	M 6	1.00	100
FRS 40 - 45 M8/M10 zl	537986	X	M 8 / M 10	1 1/4"	40 - 45	89	69	20 x 1.25	42	M 6	1.00	50
FRS 48 - 54 M8/M10 zl	537987	X	M 8 / M 10	1 1/2"	48 - 54	99	78	20 x 1.25	46	M 6	1.00	50
FRS 55 - 61 M8/M10 zl	537988	X	M 8 / M 10	2"	55 - 61	105	85	20 x 1.25	50	M 6	1.00	50
FRS 63 - 67 M8/M10 zl	537989	X	M 8 / M 10	–	63 - 67	111	91	20 x 1.25	53	M 6	1.00	50
FRS 72 - 80 M8/M10 zl	537990	X	M 8 / M 10	2 1/2"	72 - 80	125	104	20 x 2.0	60	M 6	1.50	25
FRS 87 - 92 M8/M10 zl	537991	X	M 8 / M 10	3"	87 - 92	137	116	20 x 2.0	66	M 6	1.50	25
FRS 108 - 116 M8/M10 zl	537992	X	M 8 / M 10	4"	108 - 116	164	140	25 x 2.0	78	M 6	2.00	20
FRS 121 - 128 M8/M10 zl	537993	X	M 8 / M 10	–	121 - 128	176	152	25 x 2.5	84	M 6	2.50	10
FRS 133 - 141 M8/M10 zl	537994	X	M 8 / M 10	5"	133 - 141	187	165	25 x 2.5	90	M 6	2.50	10
FRS 159 - 165 M8/M10 zl	537995	X	M 8 / M 10	–	159 - 165	211	198	25 x 2.5	102	M 6	2.50	8
FRS 165 - 168 M8/M10 zl	537996	X	M 8 / M 10	6"	165 - 168	225	192	25 x 2.5	104	M 6	2.50	8

The universal and complete mounting channel system for a wide range of applications



3D-frame constructions



Solid frame construction

Installation system FUS hdg. 3

APPLICATIONS

- Creation of secure, horizontal and vertical installations
- Fast and efficient fixing of pipelines and supporting structures
- For indoor and outdoor applications and in environments with high stress to components due to corrosion

ADVANTAGES/BENEFITS

- The fire inspection report in line with MLAR/EN 13501 guarantees independently tested functional safety.
- The basic channel geometry allows for the usage of the complete extensive range of accessories.
- The stamped teeth in the channel gives the sliding nuts a secure hold for high shear loads, e.g. for vertical installation.
- Different channel wall thicknesses allow for economical choices for installation.
- The scale on the mounting channels simplifies the cutting and positioning of the fixtures during installation.
- The surface coating creates a high corrosion protection against environmental influences like humidity, water, saltwater or other corrosive substances.

CERTIFICATES



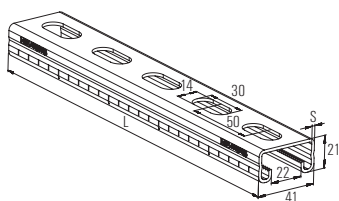
PROPERTIES

- **Material:** steel S235 JR (material no.: 1.0037) acc. to DIN EN 10025
- **Zinc plating:** hot-dip galvanised, min. 45 µm, acc. to DIN EN ISO 1461

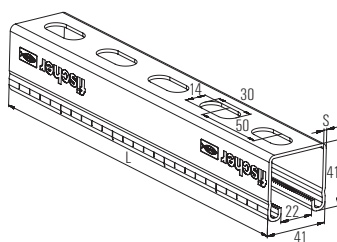
SEE ALSO



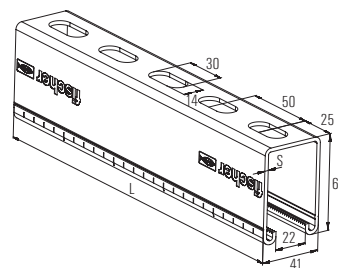
TECHNICAL DATA



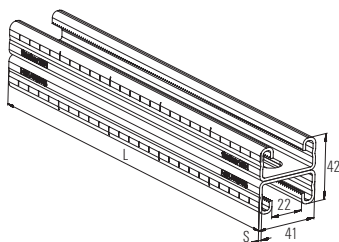
FUS 21 hdg.



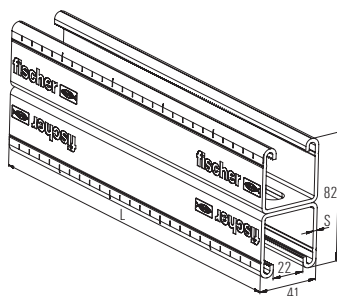
FUS 41 hdg.



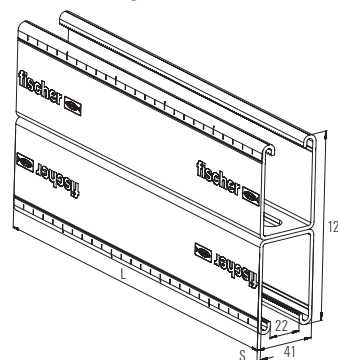
FUS 62 hdg.



FUS 21D hdg.



FUS 41D hdg.



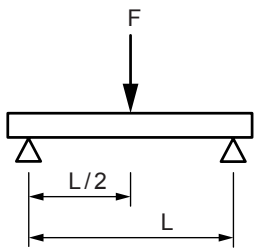
FUS D62 hdg.

Item	Art.-No.	Fire test report	Length		Thickness		Sales unit
			L [mm]	S [mm]	S [mm]	[pcs]	
FUS 21/1,5 - 3 m hdg.	545128	—	3000	1.5	1.5	1	
FUS 21/2,0 - 3 m hdg.	537653	—	3000	2.0	2.0	1	
FUS 41/1,5 - 3 m hdg.	545129	—	3000	1.5	1.5	1	
FUS 41/2,0 - 3 m hdg.	517426	—	3000	2.0	2.0	1	
FUS 41/2,0 - 6 m hdg.	537656	—	6000	2.0	2.0	1	
FUS 41/2,5 - 6 m hdg.	537658	X	6000	2.5	2.5	1	
FUS 62/2,5 - 3 m hdg.	517427	X	3000	2.5	2.5	1	
FUS 62/2,5 - 6 m hdg.	517428	X	6000	2.5	2.5	1	
FUS 21D/2,0 - 3 m hdg.	537659	—	3000	2.0	2.0	1	
FUS 21D/2,0 - 6 m hdg.	537661	—	6000	2.0	2.0	1	
FUS 41D/2,5 - 6 m hdg.	537662	—	6000	2.5	2.5	1	
FUS 62D/2,5 - 6 m hdg.	537663	—	6000	2.5	2.5	1	

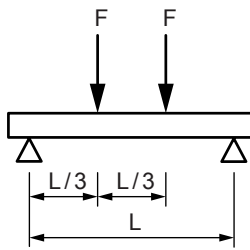
LOADS

Item	Art.-No.	Profil weight [kg/m]	Profile cross section [cm ²]	Moment of inertia I _y [cm ⁴]	Moment of inertia I _z [cm ⁴]	Section modulus W _y [cm ³]	Section modulus W _z [cm ³]	Max. recommended static load for 1m length	Max. recommended static load for 2m length	Max. recommended static load for 3m length
								F _{rec} [kN]	F _{rec} [kN]	F _{rec} [kN]
FUS 21/1,5 - 3 m hdg.	545128	1.20	1.35	0.8	3.69	0.75	1.80	0.41	0.10	—
FUS 21/2,0 - 3 m hdg.	537653	1.44	1.72	0.97	4.66	0.89	2.27	0.49	0.12	0.05
FUS 41/1,5 - 3 m hdg.	545129	1.80	1.95	4.26	6.03	2.07	2.94	1.56	0.54	0.24
FUS 41/2,0 - 3 m hdg.	517426	2.06	2.52	5.33	7.69	2.58	3.75	1.94	0.67	0.30
FUS 41/2,0 - 6 m hdg.	537656	2.06	2.52	5.33	7.69	2.58	3.75	1.94	0.67	0.30
FUS 41/2,5 - 6 m hdg.	537658	2.45	3.00	6.00	8.99	2.85	4.38	2.14	0.76	0.34
FUS 62/2,5 - 3 m hdg.	517427	3.27	4.05	17.70	12.90	5.62	6.29	4.22	2.10	0.99
FUS 62/2,5 - 6 m hdg.	517428	3.27	4.05	17.70	12.90	5.62	6.29	4.22	2.10	0.99
FUS 21D/2,0 - 3 m hdg.	537659	2.87	3.44	5.49	9.31	2.61	4.54	1.96	0.69	0.31
FUS 21D/2,0 - 6 m hdg.	537661	2.87	3.44	5.49	9.31	2.61	4.54	1.96	0.69	0.31
FUS 41D/2,5 - 6 m hdg.	537662	4.89	6.00	35.01	17.90	8.76	8.78	6.58	3.28	1.96
FUS 62D/2,5 - 6 m hdg.	537663	6.55	8.09	111.00	25.80	17.90	12.58	13.45	6.72	4.47

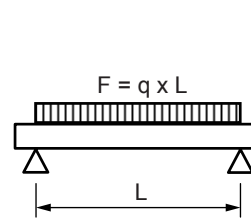
Load case 1



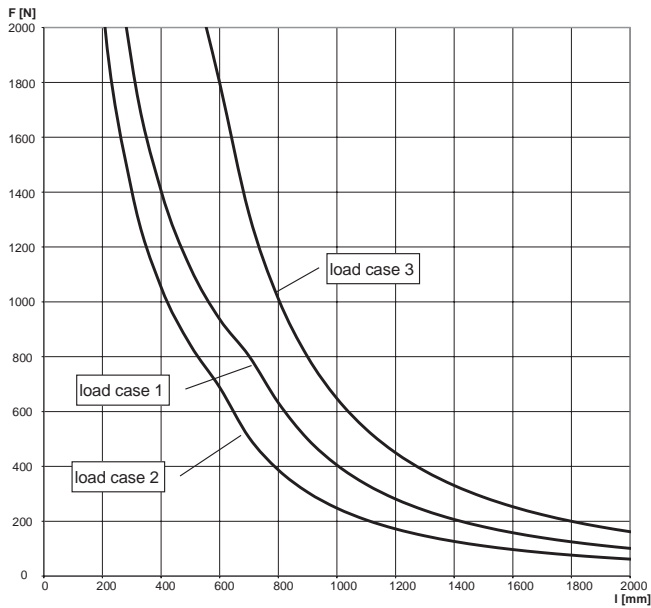
Load case 2



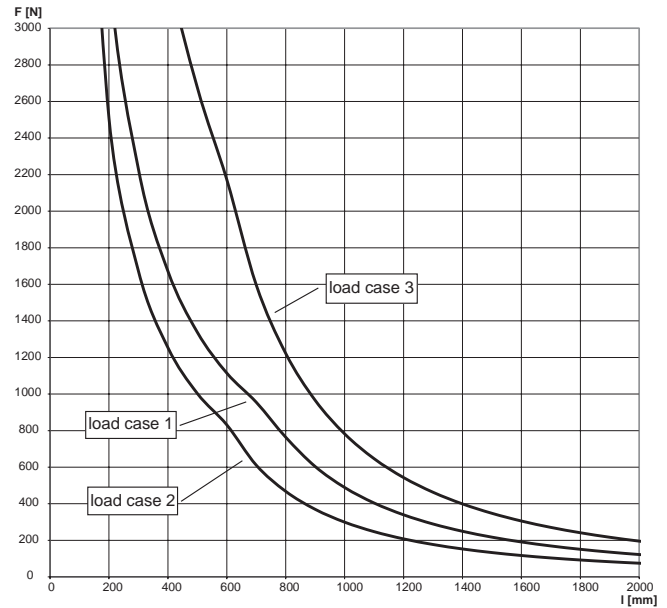
Load case 3



FUS 21 / 1.5

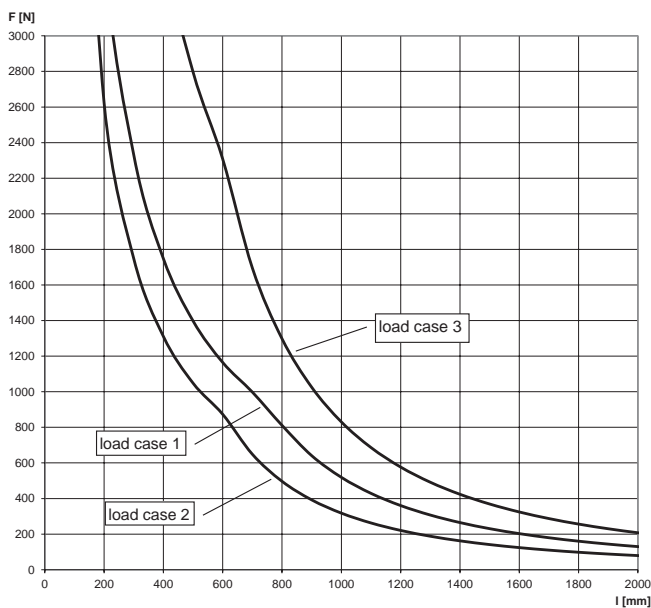


FUS 21 / 2.0

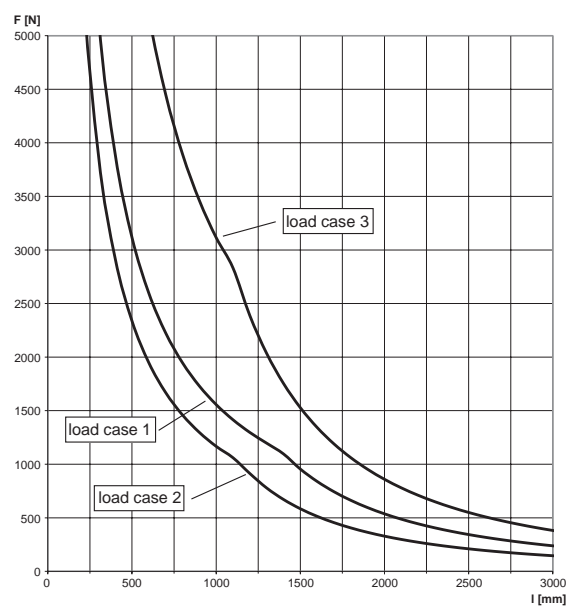


For the load curves, the permissible steel strain $\delta_{adm.} = 188$ N/mm and the maximum deflection under load $L/200$ are not exceeded. Fixings and screw fastenings must be calculated accordingly. The increased yield strength is calculated according to DIN EN 1993-1-3:2010-12, sec. 3.2.2.

FUS 21 / 2.5

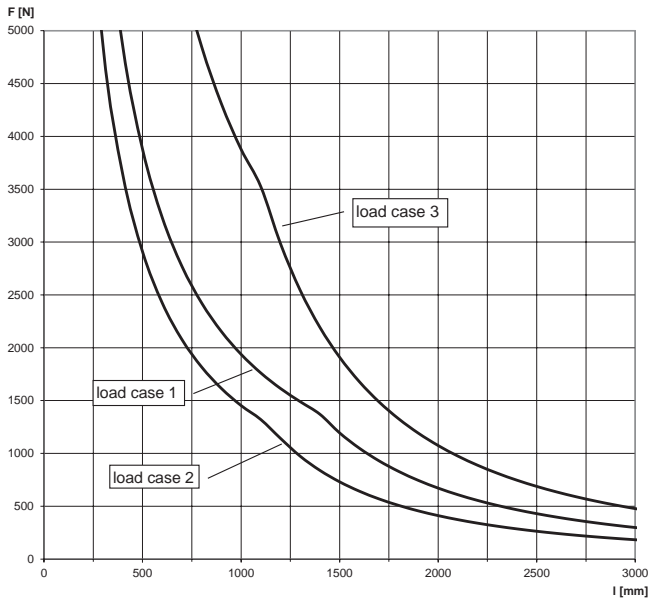


FUS 41 / 1.5



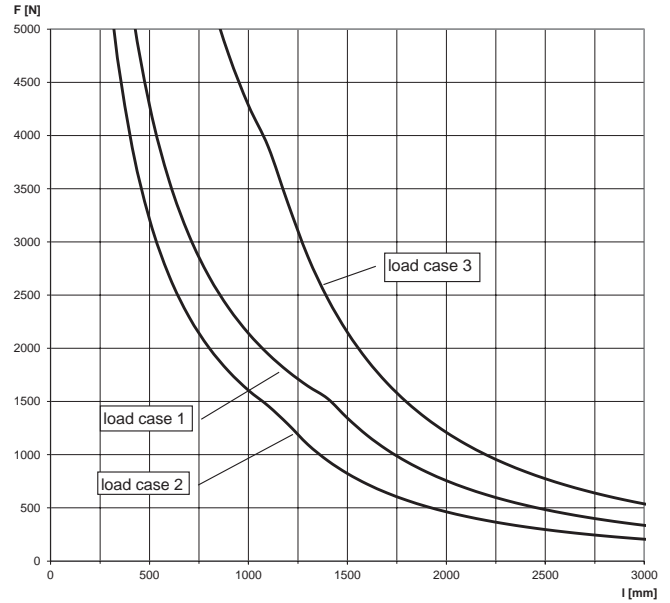
For the load curves, the permissible steel strain $\delta_{adm.} = 188$ N/mm and the maximum deflection under load $L/200$ are not exceeded. Fixings and screw fastenings must be calculated accordingly. The increased yield strength is calculated according to DIN EN 1993-1-3:2010-12, sec. 3.2.2.

FUS 41 / 2.0

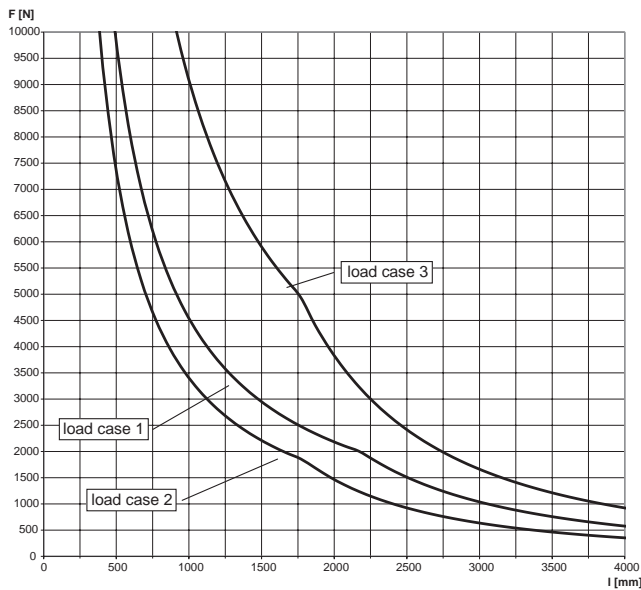


For the load curves, the permissible steel strain $\delta_{adm.} = 188$ N/mm and the maximum deflection under load $L/200$ are not exceeded. Fixings and screw fastenings must be calculated accordingly. The increased yield strength is calculated according DIN EN 1993-1-3:2010-12, sec. 3.2.2.

FUS 41 / 2.5

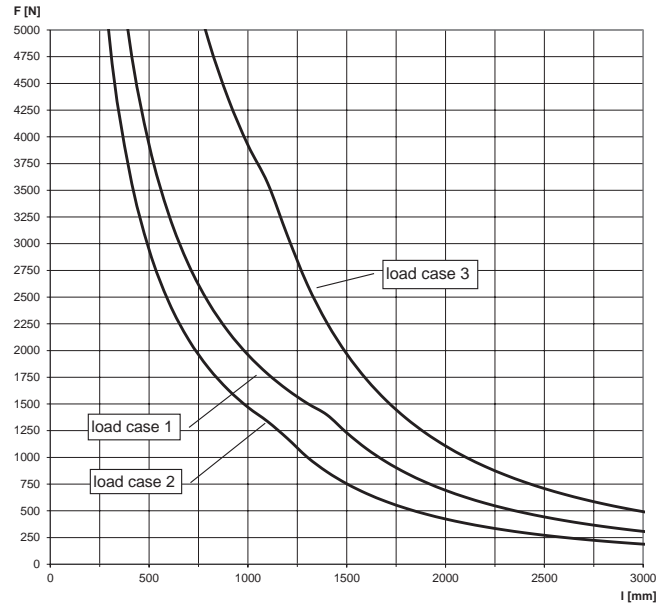


FUS 62 / 2.5

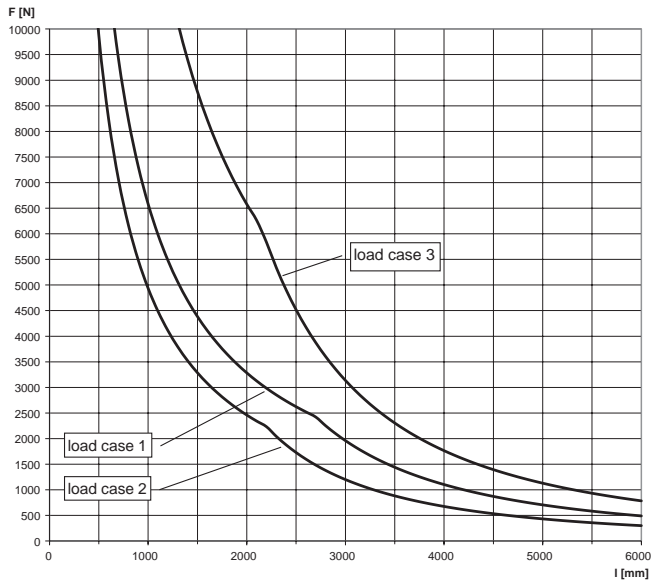


For the load curves, the permissible steel strain $\delta_{adm.} = 188$ N/mm and the maximum deflection under load $L/200$ are not exceeded. Fixings and screw fastenings must be calculated accordingly. The increased yield strength is calculated according DIN EN 1993-1-3:2010-12, sec. 3.2.2.

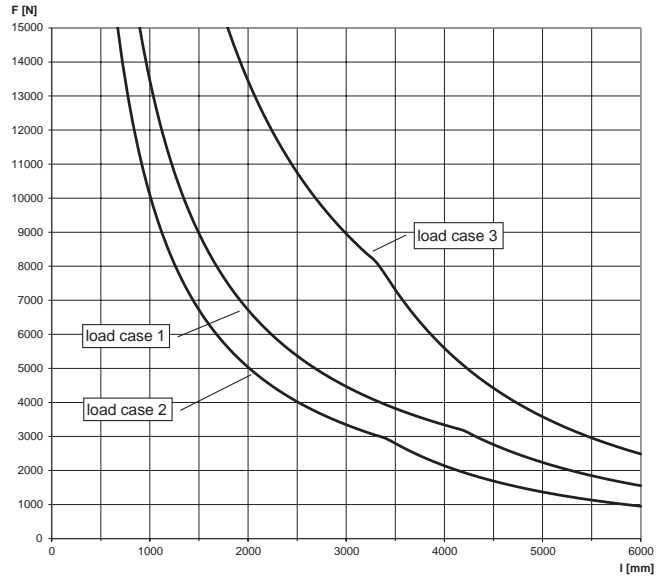
FUS 21D / 2.0



FUS 41D / 2.5



FUS 62D / 2.5



For the load curves, the permissible steel strain $\delta_{adm} = 188$ N/mm and the maximum deflection under load $L/200$ are not exceeded. Fixings and screw fastenings must be calculated accordingly. The increased yield strength is calculated according DIN EN 1993-1-3:2010-12, sec. 3.2.2.

Construction element - Channel connector FUF OC hdg.



APPLICATIONS

- Connection and alignment of the channels
- For indoor and outdoor applications and in environments with high stress to components due to corrosion

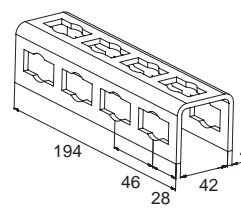
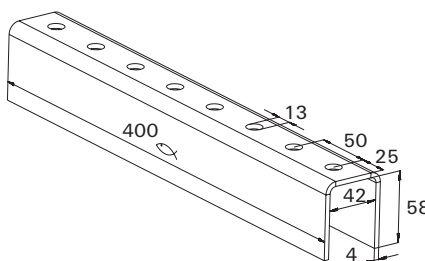
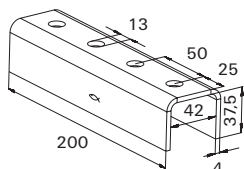
ADVANTAGES/BENEFITS

- The FUF OC connector in combination with FCN Clix P allows a simple and time-saving installation.
- The PFUF OC connector in combination with PFCN allows a simple and time-saving installation.
- The surface coating creates a high corrosion protection against environmental influences like humidity, water, saltwater or other corrosive substances.

PROPERTIES

- **Material FUF OC:** steel S235 JR (material no. 1.0037) acc. to DIN EN 10025
- **Zinc plating FUF OC:** hot-dip galvanized, min. 45 µm, acc. to DIN EN ISO 1461
- **Material PFUF OC:** steel DD 11 (material no. 1.0332) acc. to DIN EN 10111
- **Zinc plating PFUF OC:** Zinclamella acc. to DIN EN ISO 12944, min. 8 µm

TECHNICAL DATA



FUF OC 41 hdg.

FUF OC 62 hdg.

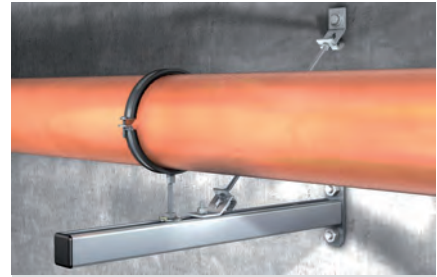
PFUF OC

Item	Art.-No.	Length l [mm]	Sales unit [pcs]		
FUF OC 41 hdg.	517415	200	20		
FUF OC 62 hdg.	537591	400	10		
PFUF OC zl	542719	194	6		

Hot-dip galvanised FUS profiles with welded base plate for direct mounting on the base material



Refrigerant pipe clamp on sliding element



Heavy pipe on cantilever

Installation system FUS hdg. 3

APPLICATIONS

- Quick and easy installation of pipelines, for example, along the wall
- For indoor and outdoor applications and in environments with high stress to components due to corrosion

ADVANTAGES/BENEFITS

- The fire inspection report in line with MLAR/EN 13501 guarantees independently tested functional safety.
- The graduated range of lengths allows for an ideal adaptation to the application.
- The arms solid base plate offers a secure hold for load-bearing construction.
- The base plate's long slots, which are at 90° to one another, allow the arm to be easily aligned.
- The stamped teeth in the channel give the sliding nuts a secure hold for high shear loads, e.g. for vertical installation.
- The surface coating creates a high corrosion protection against environmental influences like humidity, water, saltwater or other corrosive substances.

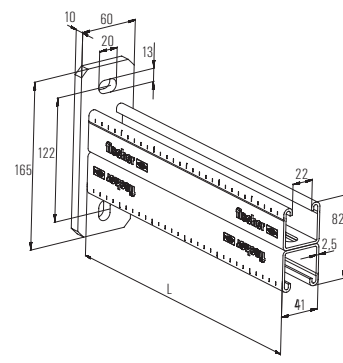
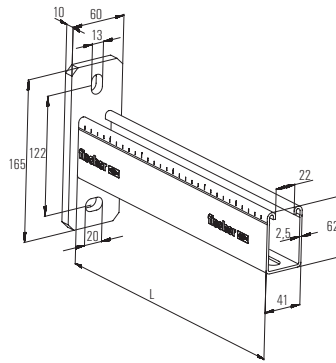
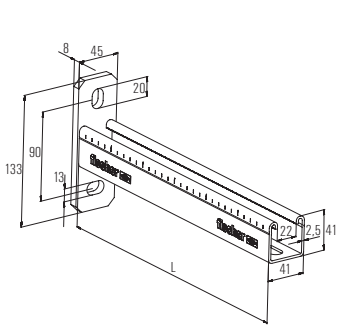
CERTIFICATES



PROPERTIES

- **Material:** steel S235 JR (material no. 10037) acc. to DIN EN 10025
- **Zinc plating:** hot-dip galvanised, min. 45 µm, acc. to DIN EN ISO 146 1

TECHNICAL DATA



FCA 41 hdg.

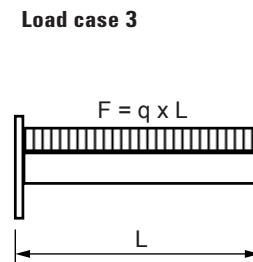
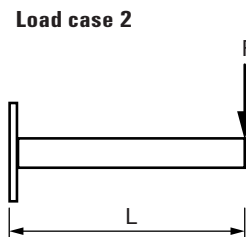
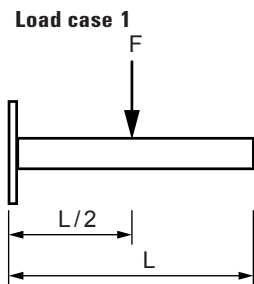
FCA 62 hdg.

FCA 41D hdg.

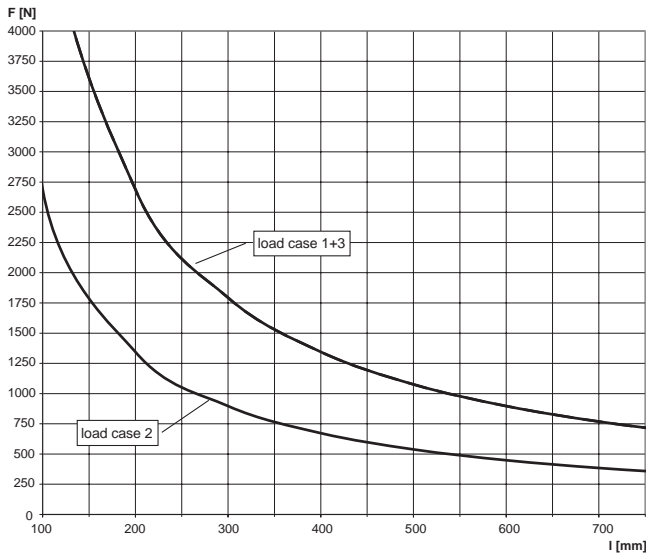
Item	Art.-No.	Fire test report	Profile	Length	Sales unit
				L [mm]	
FCA 41 - 300 hdg.	517411	X	41/2,5	300	1
FCA 41 - 450 hdg.	517412	X	41/2,5	450	1
FCA 41 - 600 hdg.	517413	X	41/2,5	600	1
FCA 41 - 750 hdg.	517414	X	41/2,5	750	1
FCA 62 - 1000 hdg.	538015	X	62/2,5	1000	1
FCA 41D - 750 hdg.	538016	—	41D/2,5	750	1
FCA 41D - 1000 hdg.	538017	—	41D/2,5	1000	1

LOADS

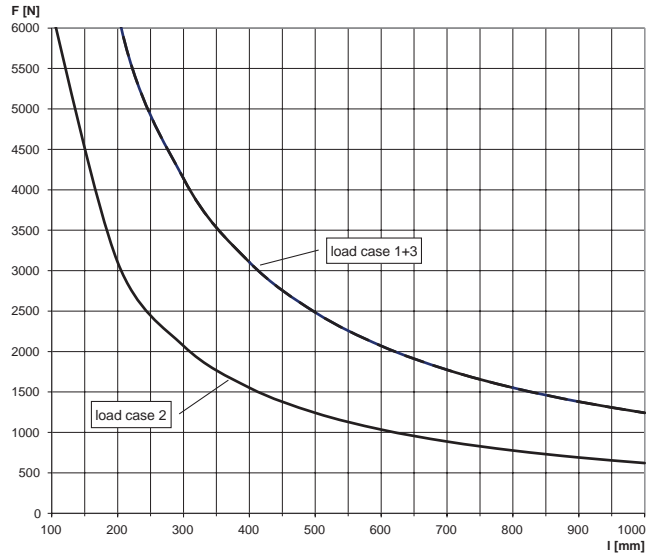
Item	Art.-No.	Max. recommended static load load case 1	Max. recommended static load load case 2	Max. recommended static load load case 3
		F_{rec} [kN]	F_{rec} [kN]	F_{rec} [kN]
FCA 41 - 300 hdg.	517411	1.8	0.9	1.8
FCA 41 - 450 hdg.	517412	1.2	0.6	1.2
FCA 41 - 600 hdg.	517413	0.9	0.45	0.9
FCA 41 - 750 hdg.	517414	0.72	0.36	0.72
FCA 62 - 1000 hdg.	538015	1.25	0.62	1.25
FCA 41D - 750 hdg.	538016	2.5	1.25	2.5
FCA 41D - 1000 hdg.	538017	1.9	0.93	1.9



FCA 41 HDG.

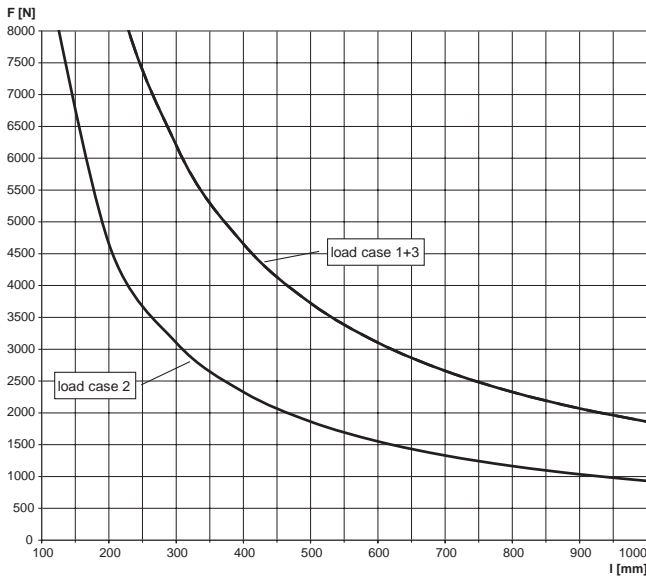


FCA 62 HDG.



For the load curves, the permissible steel strain $\delta_{adm.} = 160 \text{ N/mm}$ and the maximum deflection under load $L/150$ are not exceeded. Load capacity for console under consideration of the capacity of base plate. Fixings and screw fastenings must be calculated accordingly.

FCA 41 D HDG.



For the load curves, the permissible steel strain $\delta_{adm.} = 160 \text{ N/mm}$ and the maximum deflection under load $L/150$ are not exceeded. Load capacity for console under consideration of the capacity of base plate. Fixings and screw fastenings must be calculated accordingly.

3

Installation system FUS hdg.

The large cantilever arm for heavy loads



APPLICATIONS

- Quick and easy installation of pipelines with heavy loads
- For indoor and outdoor applications and in environments with high stress to components due to corrosion

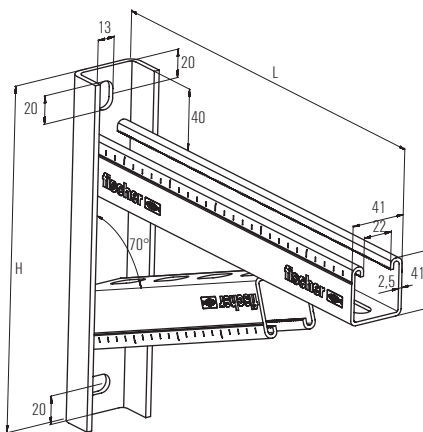
ADVANTAGES/BENEFITS

- The robust construction, consisting of a basic and a support profile, allows the bearing of heavy loads.
- The graduated range of lengths allows an ideal adaptation to the application.
- The base plate's long slots, which are at 90° to one another, allow the arm to be easily aligned.
- The stamped teeth in the channel give the sliding nuts a secure hold for high shear loads, e.g. for vertical installation.
- The surface coating creates a high corrosion protection against environmental influences like humidity, water, saltwater or other corrosive substances.

PROPERTIES

- **Material:** steel S235 JR (material no. 10037) acc. to DIN EN 10025
- **Zinc plating:** hot-dip galvanised, min. 45 µm, acc. to DIN EN ISO 1461

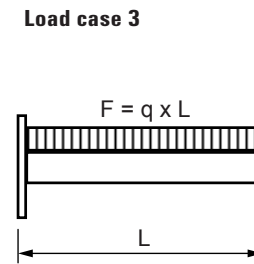
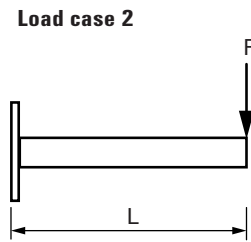
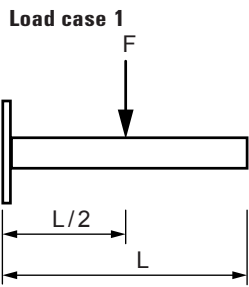
TECHNICAL DATA



Item	Art.-No.	Length	Height H	Sales unit
		L [mm]	H [mm]	[pcs]
FCAM 300 hdg.	538018	300	246	1
FCAM 400 hdg.	538019	400	270	1
FCAM 500 hdg.	538020	500	284	1
FCAM 600 hdg.	538021	600	319	1
FCAM 700 hdg.	538022	700	343	1

LOADS

Item	Art.-No.	Max. recommended static load load case 1 F_{rec} [kN]	Max. recommended static load load case 2 F_{rec} [kN]	Max. recommended static load load case 3 F_{rec} [kN]
FCAM 300 hdg.	538018	7.0	3.7	7.0
FCAM 400 hdg.	538019	7.5	2.8	7.5
FCAM 500 hdg.	538020	6.5	2.3	6.5
FCAM 600 hdg.	538021	6.0	1.9	6.0
FCAM 700 hdg.	538022	5.5	1.3	5.5



COVER CAP FEC



FEC 21 B



FEC 41 B



FEC 62 B

Item	Art.-No.	For profile	Material	Sales unit [pcs]
FEC 21 B	077357	41/21	polyethylene, black	100
FEC 41 B	077355	41/41	polyethylene, black	100
FEC 62 B	505551	41/62	polyethylene, black	100

3 Installation system FUS hdg.

Push-through connector for the quickest and easiest connection of FUS profiles



Cross connection on channel



Cantilever with saddle flange

APPLICATIONS

- Connection of FUS channels and construction elements by push-through principle
- Universal fitting for all push-through connection elements and FUS profiles
- For indoor and outdoor applications and in environments with high stress to components due to corrosion

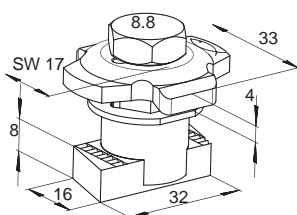
ADVANTAGES/BENEFITS

- The correct fit of the push-through connector and connection elements allows the quickest and easiest channel connection.
- The spring effect of the PFCN in set state guarantees a simple and precise positioning in the channel.
- The teeth on the push through connector provide a secure hold in the FUS channel.
- Installation by rotating 90° enables generally the post-installation in set channels.
- The surface coating creates a high corrosion protection against environmental influences like humidity, water, saltwater or other corrosive substances.

PROPERTIES

- **Material Cap:** steel DD11 (material no. 1.0332) acc. to DIN EN 10111
- **Material Sliding nut:** steel S420MC, EN 10149-2
- **Material Hexagon screw:** 8.8 M10-28, DIN 933
- **Material Plastic parts:** polypropylene
- **Coating:** zinclamella acc. to DIN EN ISO 12944, min. 8 µm

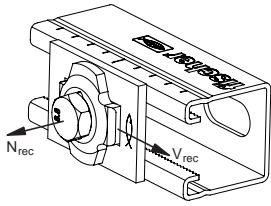
TECHNICAL DATA



Item	Art.-No.	Thread A	Sales unit [pcs]		
PFCN 41 zl	542733	M 10	50		



LOADS



Item	Art.-No.	Max. recommended tension load for FUS 1,5 mm N_{rec} [kN]	Max. recommended tension load for FUS 2,0 mm N_{rec} [kN]	Max. recommended tension load for FUS 2,5 mm N_{rec} [kN]	Max. recommended shear load for FUS 1,5 mm V_{rec} [kN]	Max. recommended shear load for FUS 2,0 mm [kN]	Max. recommended shear load for FUS 2,5 mm [kN]	Tightening torque for screw grade ≥ 8.8 T_{inst} [Nm]
PFCN 41 zl	542733	4.0	5.0	7.0	3.5	4.0	4.0	40

Note: Load values are based on the PFCN 41 zl push-through connector combined with FUS channels hdg.

Construction element - Saddle flange PSF zl



Pipe installation in escape route



Cantilever with saddle flange

APPLICATIONS

- Stable construction of connections between channels and building structures for the push-through system
- For indoor and outdoor applications and in environments with high stress to components due to corrosion

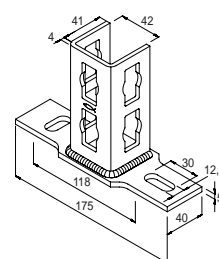
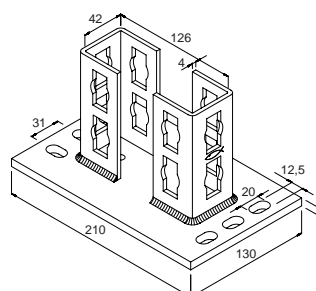
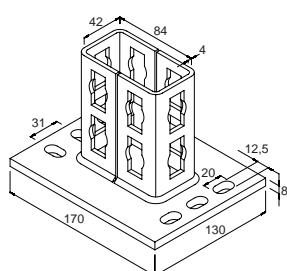
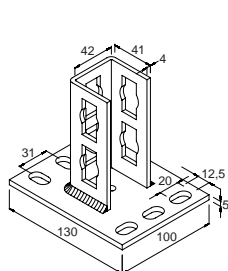
ADVANTAGES/BENEFITS

- The perfect-fit saddle allows a simple installation by inserting the mounting channels
- The saddle flange's stable design offers a secure hold for a load-bearing construction
- The surface coating creates a high corrosion protection against environmental influences like humidity, water, saltwater or other corrosive substances.

PROPERTIES

- **Material:** steel DD11 (material no. 1.0332) acc. to DIN EN 10111
- **Coating:** zinclamella acc. to DIN EN ISO 12944, min. 8 µm

TECHNICAL DATA



PSF 41 zl

PSF 82 zl

PSF 124 zl

PSFQ 41 zl

Item	Art.-No.	For profile	Sales unit [pcs]		
PSF 41 zl	542715	21D, 41, 62	10		
PSF 82 zl	542716	41 D	5		
PSF 124 zl	542718	62 D	5		
PSFQ 41 zl	542723	41	10		

LOADS

see Push-through connector PFCN zl

Construction element - Universal bracket PUWS zl



3 Installation system FUS hdg.

APPLICATIONS

- Reinforcement of supporting structures for the push-through system
- For indoor and outdoor applications and in environments with high stress to components due to corrosion

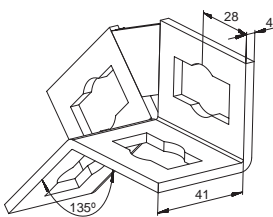
ADVANTAGES/BENEFITS

- The universal brackets for the connection of FUS channels gives a supporting structure, great stability and safety (we recommend using in pairs).
- The surface coating creates a high corrosion protection against environmental influences like humidity, water, saltwater or other corrosive substances.

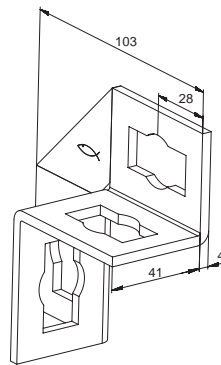
PROPERTIES

- **Material:** steel DD11 (material no. 1.0332) acc. to DIN EN 10111
- **Coating:** zinclamella acc. to DIN EN ISO 12944, min. 8 µm

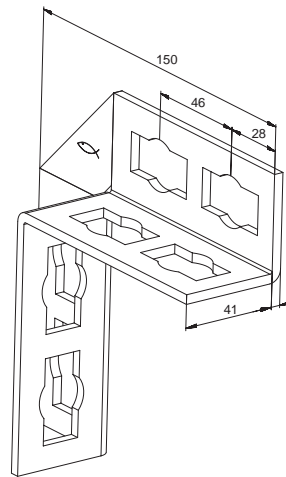
TECHNICAL DATA



PUWS 2 x 2/135° zl



PUWS 2 x 2 zl



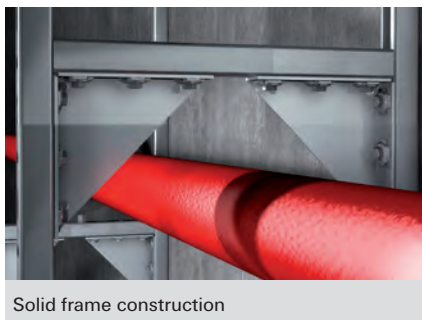
PUWS 4 x 4 zl

Item	Art.-No.	Sales unit			
			[pcs]		
PUWS 2 x 2/135° zl	542708		10		
PUWS 2 x 2 zl	542709		10		
PUWS 4 x 4 zl	542710		8		

LOADS

see Push-through connector PFCN zl

Construction element - Angle bracket PWK zl



Solid frame construction

APPLICATIONS

- Reinforcement in the push-through system and for lateral fixing to the substrate
- For indoor and outdoor applications and in environments with high stress to components due to corrosion

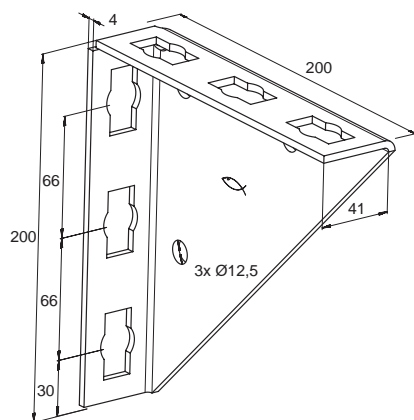
ADVANTAGES/BENEFITS

- The stable angle bracket ensures a supporting structure with a very high level of stability and safety.
- The surface coating creates a high corrosion protection against environmental influences like humidity, water, saltwater or other corrosive substances.

PROPERTIES

- **Material:** steel DD11 (material no. 1.0332) acc. to DIN EN 10111
- **Coating:** zinclamella acc. to DIN EN ISO 12944, min. 8 µm

TECHNICAL DATA



PWK 200/200 zl

Item	Art.-No.	Sales unit			
		[pcs]			
PWK 200/200 zl	542720	15			

LOADS

see Push-through connector PFCN zl

Construction element – Variable bracket PVB zl



APPLICATIONS

- Variable angular positioning of profile support in the push-through system
- Bracket for installation with FUS channels from 0° to 180°
- For indoor and outdoor applications and in environments with high stress to components due to corrosion

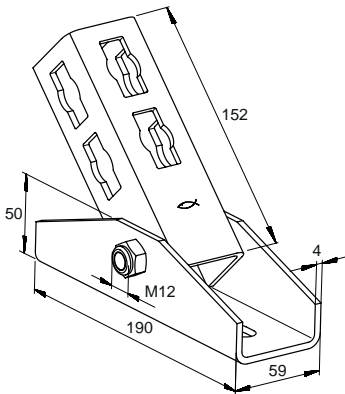
ADVANTAGES/BENEFITS

- The design of the variable bracket PVB zl enables the fixation of mounting channels at an angle of 0° to 180°.
- The holes in the connecting element make it compatible with the push-through connector PFCN zl.
- The punched holes in the base plate allow the direct fixing onto a wall, ceiling or onto a mounting channel by screw or anchor.
- The surface coating creates a high corrosion protection against environmental influences like humidity, water, saltwater or other corrosive substances.

PROPERTIES

- **Material:** steel DD11 (material no. 1.0332) acc. to DIN EN 10111
- **Coating:** zinclamella acc. to DIN EN ISO 12944, min. 8 µm

TECHNICAL DATA



Item	Art.-No.	Sales unit			
		[pcs]			
PVB zl	542722	5			

LOADS

see Push-through connector PFCN zl

Construction elements – Bracing elements PSAE zl 300 and 500



APPLICATIONS

- Elements for stable cantilever constructions made of FUS channels or FCA cantilever arms with push-through connector PFCN zl
- For indoor and outdoor applications and in environments with high stress to components due to corrosion

ADVANTAGES/BENEFITS

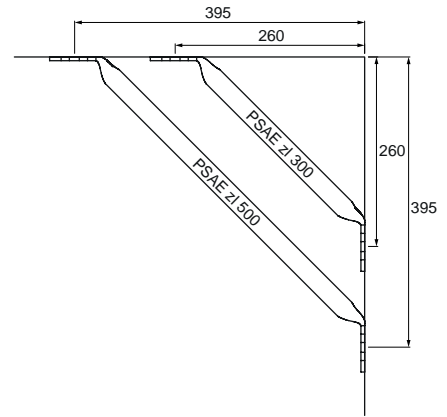
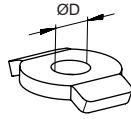
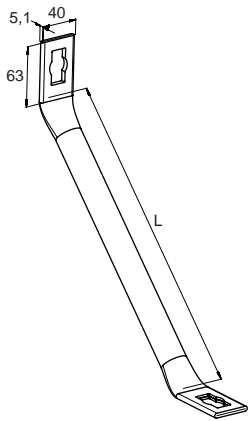
- The stable bracing element PSAE zl gives the supporting structure very high stability and safety.
- The holes in the base plate of the element make it compatible with the push-through connector PFCN zl.
- An additional PU-washer allows for fixing of elements with formholes directly onto a wall or ceiling by anchor or screw.
- The surface coating creates a high corrosion protection against environmental influences like humidity, water, saltwater or other corrosive substances.

PROPERTIES

- **Material:** steel P235TR2 (material no. 1.0255) acc. to EN 10216-1
- **Coating:** zinclamella acc. to DIN EN ISO 12944, min. 8 µm



TECHNICAL DATA



PSAE zl

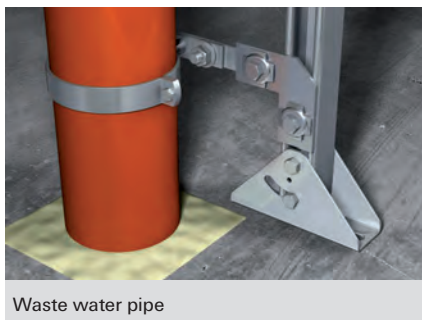
PU zl

Item	Art.-No.	Length L [mm]	Sales unit [pcs]		
PSAE zl 300 Brace element	542726	300	10		
PSAE zl 500 Brace element	542727	500	10		
PU zl 10,5 Washer	542728	–	50		
PU zl 12,5 Washer	542729	–	50		

LOADS

see Push-through connector PFCN zl

Construction elements - Brackets PFFF zl



APPLICATIONS

- Arrangement of simple channel constructions in the push-through system
- For indoor and outdoor applications and in environments with high stress to components due to corrosion

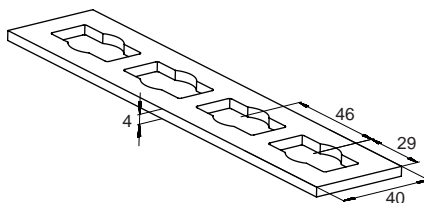
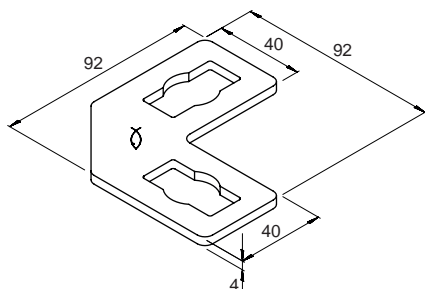
ADVANTAGES/BENEFITS

- The holes in the connecting elements make them compatible with the push-through connector PFCN zl.
- The surface coating creates a high corrosion protection against environmental influences like humidity, water, saltwater or other corrosive substances.

PROPERTIES

- **Material:** steel DD11 (material no. 1.0332) acc. to DIN EN 10111
- **Coating:** zinclamella acc. to DIN EN ISO 12944, min. 8 µm

TECHNICAL DATA



PFFF 2L zl

PFFF 4I zl

Item	Art.-No.	Sales unit			
		[pcs]			
PFFF 2L zl	542721	20			
PFFF 4I zl	542725	25			

LOADS

see Push-through connector PFCN zl

Construction elements - Brackets PFAF zl



Installation system FUS hdg. 3

APPLICATIONS

- Arrangement of simple channel constructions in the push-through system
- For indoor and outdoor applications and in environments with high stress to components due to corrosion

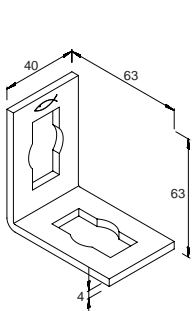
ADVANTAGES/BENEFITS

- The holes in the connecting elements make them compatible with the push-through connector PFCN zl.
- The surface coating creates a high corrosion protection against environmental influences like humidity, water, saltwater or other corrosive substances.

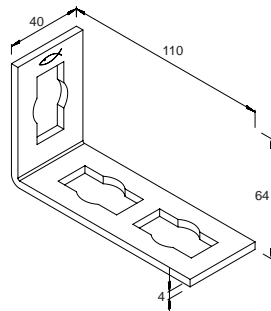
PROPERTIES

- **Material:** steel DD11 (material no. 1.0332) acc. to DIN EN 10111
- **Coating:** zinclamella acc. to DIN EN ISO 12944, min. 8 µm

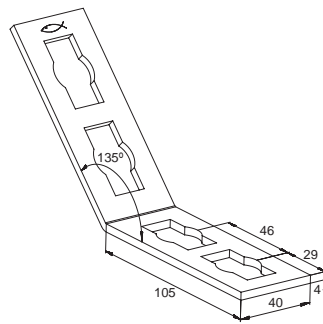
TECHNICAL DATA



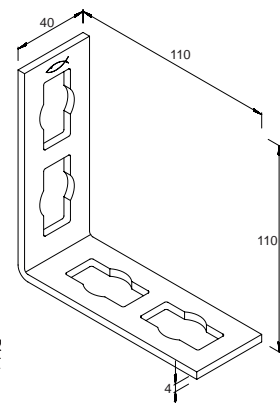
PFAF 2 zl



PFAF 3 zl



PFAF 4/135° zl



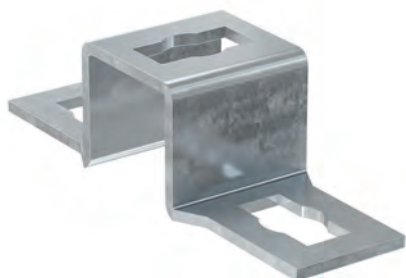
PFAF 4 zl

Item	Art.-No.	Sales unit [pcs]			
PFAF 2 zl	542711	25			
PFAF 3 zl	542712	25			
PFAF 4/135° zl	542713	20			
PFAF 4 zl	542724	25			

LOADS

see Push-through connector PFCN zl

Construction elements - Brackets PFUF zl



Cross connection on channel



Cross connection on channel

APPLICATIONS

- Connecting elements for multi-dimensional channel constructions
- For indoor and outdoor applications and in environments with high stress to components due to corrosion

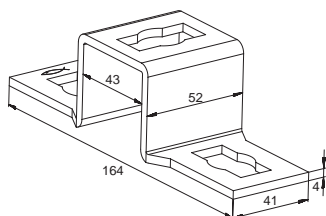
ADVANTAGES/BENEFITS

- The various shapes of the connecting elements offer flexibility during the installation of channel constructions.
- The holes in the connecting elements make them compatible with the push-through channel nut PFCN zl.
- The surface coating creates a high corrosion protection against environmental influences like humidity, water, saltwater or other corrosive substances.

PROPERTIES

- **Material:** steel DD11 (material no. 1.0332) acc. to DIN EN 10111
- **Coating:** zinclamella acc. to DIN EN ISO 12944, min. 8 µm

TECHNICAL DATA



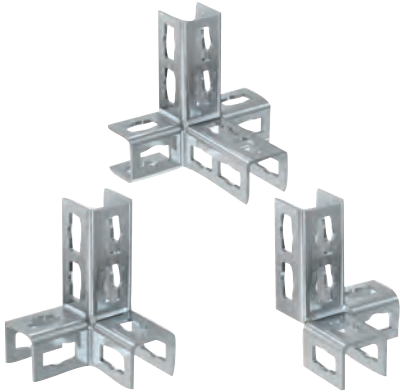
PFUF 41 zl

Item	Art.-No.	Sales unit			
		[pcs]			
PFUF 41 zl	542714	25			

LOADS

see Push-through connector PFCN zl

Construction elements - Bracket PFUF 3D zl and 4D zl



APPLICATIONS

- Element for multidimensional constructions with FUS channels connected by the push-through connector PFCN
- For indoor and outdoor applications and in environments with high stress to components due to corrosion

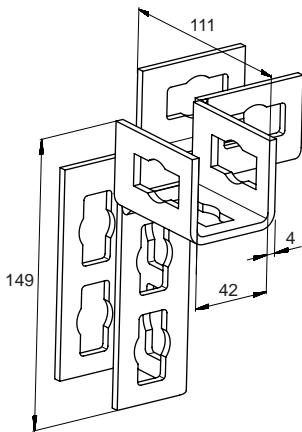
ADVANTAGES/BENEFITS

- The 3D PFUF zl construction elements enable multidimensional constructions in a very short time.
- The holes in the construction elements make them compatible with the push-through connector PFCN zl.
- The different shapes of the construction elements generate a high flexibility for channel constructions.
- The surface coating creates a high corrosion protection against environmental influences like humidity, water, saltwater or other corrosive substances.

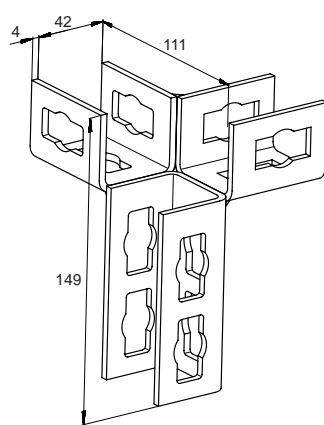
PROPERTIES

- **Material:** steel DD11 (material no. 1.0332) acc. to DIN EN 10111
- **Coating:** zinclamella acc. to DIN EN ISO 12944, min. 8 µm

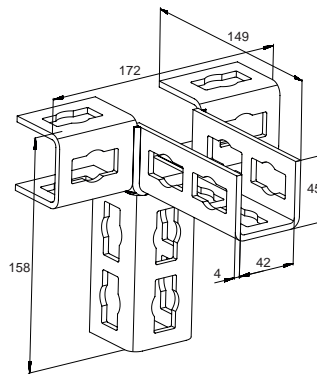
TECHNICAL DATA



PFUF 3DL zl



PFUF 3DR zl



PFUF 4D zl

Item	Art.-No.	Sales unit			
			[pcs]		
PFUF 3DL zl	542730		10		
PFUF 3DR zl	542731		10		
PFUF 4D zl	542732		10		

LOADS

see Push-through connector PFCN zl

Channel nut for quick and easy fixing in FUS profiles



APPLICATIONS

- Connection of FUS rails and fixtures
- Connection of pipe clamps with a threaded rod
- For indoor and outdoor applications and in environments with high stress to components due to corrosion

ADVANTAGES/BENEFITS

- The sliding nut design allows for quick and easy setting in the channel.
- The spring effect of the plastic clasp guarantees simple and precise positioning in the channel.
- The FCN Clix P's flat plastic mounting with wings offers a good hold and allows the fixtures to be conveniently mounted.
- The teeth on the sliding nut provide a secure hold in the FUS channel.
- Installation by rotating 90° enables post-installation in installed channel.
- The surface coating creates a high corrosion protection against environmental influences like humidity, water, saltwater or other corrosive substances.

CERTIFICATES

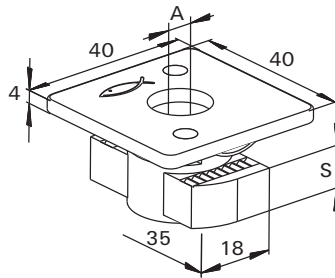
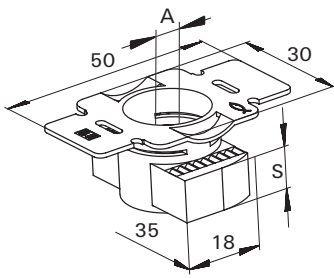


PROPERTIES

- **Material:** steel S235 JR (material no. 1.0037) acc. to DIN EN 10025, plastic Nylon PA6
- **Zinc plating:** hot-dip galvanised, min. 40 µm, acc. to DIN EN ISO 146 1



TECHNICAL DATA

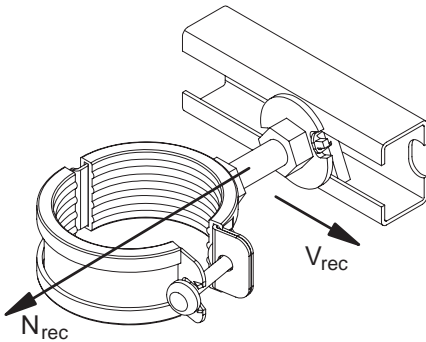


FCN Clix P hdg.

FCN Clix M hdg.

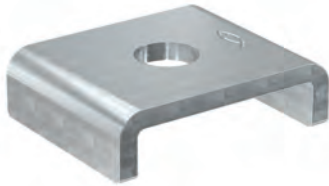
Item	Art.-No.	Fire test report	Thread	Thickness	Sales unit
			A	S [mm]	[pcs]
FCN Clix P 8 hdg.	538106	—	M 8	6	100
FCN Clix P 10 hdg.	538107	X	M 10	8	100
FCN Clix P 12 hdg.	517420	X	M 12	9.5	100
FCN Clix M 8 hdg.	538108	—	M 8	6	100
FCN Clix M 10 hdg.	538109	X	M 10	8	100
FCN Clix M 12 hdg.	538110	X	M 12	9.5	100

LOADS



Item	Art.-No.	Max. recommended tension load for FUS 2,0 mm	Max. recommended tension load for FUS 2,5 mm	Max. recommended shear load	Tightening torque for screw grade ≥ 8.8	Tightening torque for screw grade ≥ 4.6
		N_{rec} [kN]	N_{rec} [kN]	V_{rec} [kN]	T_{inst} [Nm]	T_{inst} [Nm]
FCN Clix P 8 hdg.	538106	4.0	4.0	1.0	20	—
FCN Clix P 10 hdg.	538107	5.0	8.0	1.5	40	—
FCN Clix P 12 hdg.	517420	5.0	8.0	2.0	50	—
FCN Clix M 8 hdg.	538108	4.0	4.0	—	—	10
FCN Clix M 10 hdg.	538109	5.0	8.0	—	—	15
FCN Clix M 12 hdg.	538110	5.0	8.0	—	—	20

Connector - Channel washer HK hdg.



Lateral pipe mounting at channel



Channel installation at wall

APPLICATIONS

- Channel washer to strengthen the profile
- For indoor and outdoor applications and in environments with high stress to components due to corrosion

ADVANTAGES/BENEFITS

- The U-shape of the channel washer prevents the profile from bending effectively.
- The shape of the channel washer makes push-through installation of channel profiles quick and easy.
- The surface coating creates a high corrosion protection against environmental influences like humidity, water, saltwater or other corrosive substances.

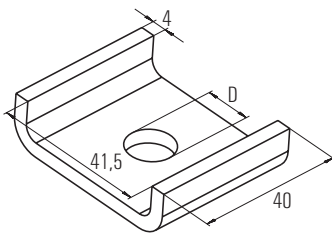
CERTIFICATES



PROPERTIES

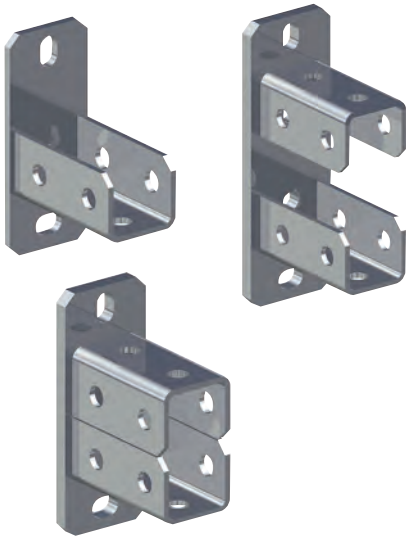
- **Material:** steel S235 JR (material no.: 1.0037) acc. to DIN EN 10025
- **Zinc plating:** hot-dip galvanised, min. 45 µm, acc. to DIN EN ISO 1461

TECHNICAL DATA



Item	Art.-No.	Fire test report	Hole-Ø A [mm]	Sales unit [pcs]
HK 41 10,5 hdg.	547496	X	10.5	50
HK 41 12,5 hdg.	547495	X	12.5	50

Construction element - Saddle flange SF hdg.



CERTIFICATES



APPLICATIONS

- For solid connections between the channel and building structures
- For indoor and outdoor applications and in environments with high stress to components due to corrosion

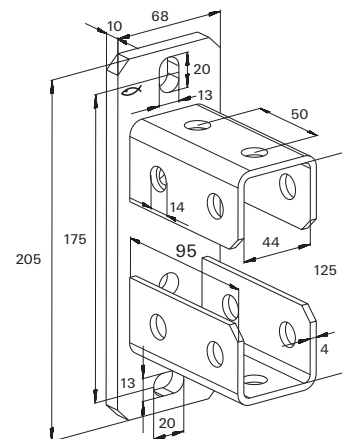
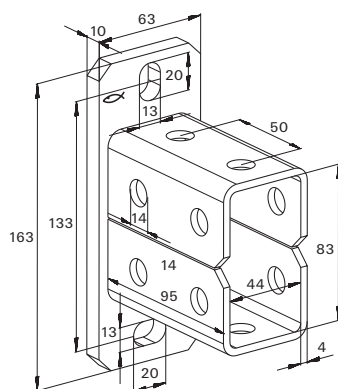
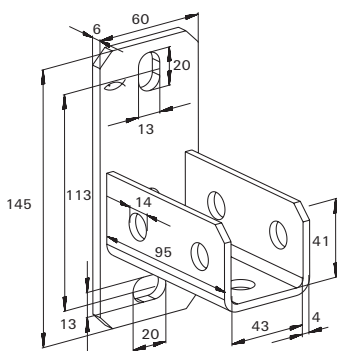
ADVANTAGES/BENEFITS

- The perfect-fit saddle of the SF allows simple installation by inserting the mounting channel.
- The saddle flange's stable design offers a secure hold for load-bearing construction.
- The surface coating creates a high corrosion protection against environmental influences like humidity, water, saltwater or other corrosive substances.

PROPERTIES

- Material base plate:** steel DC01 (material no. 1.0330) acc. to DIN EN 10139
- Zinc plating base plate:** hot-dip galvanised, min. 45 µm, acc. to DIN EN ISO 1461
- Material U-Profile:** steel S235 JR (material no. 1.0037) nach DIN EN 10025
- Zinc-plating U-Profile:** hot-dip galvanised, min. 45 µm, acc. to DIN EN ISO 1461

TECHNICAL DATA



SF L 41 hdg.

SF L 82 hdg.

SF L 124 hdg.

Item	Art.-No.	Fire test report	For profile	Sales unit
				[pcs]
SF L 41 hdg.	517421	X	21, 41, 21D, 62	10
SF L 82 hdg.	538125	—	41 D	5
SF L 124 hdg.	538126	—	62 D	5

LOADS

see Channel nut FCN Clix P hdg.

Construction element - Universal bracket UWS hdg.



APPLICATIONS

- Universal angle bracket for the reinforcement of supporting structures
- For indoor and outdoor applications and in environments with high stress to components due to corrosion

ADVANTAGES/BENEFITS

- The universal bracket for connecting fischer mounting channels gives a supporting structure great stability and safety (we recommend using in pairs).
- The surface coating creates a high corrosion protection against environmental influences like humidity, water, saltwater or other corrosive substances.

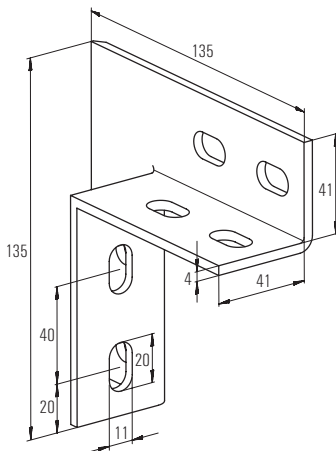
CERTIFICATES



PROPERTIES

- **Material:** steel S235 JR (material no.: 1.0037) acc. to DIN EN 10025
- **Zinc plating:** hot-dip galvanised, min. 45 μm , acc. to DIN EN ISO 1461

TECHNICAL DATA

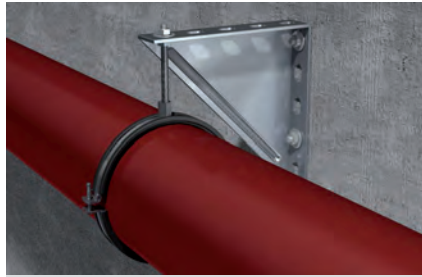
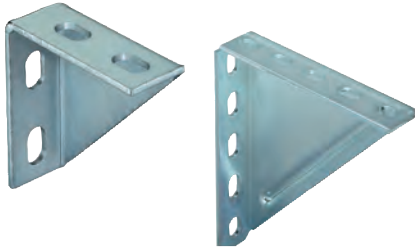


Item	Art.-No.	Fire test report	Sales unit
UWS hdg.	538115	X	[pcs] 10

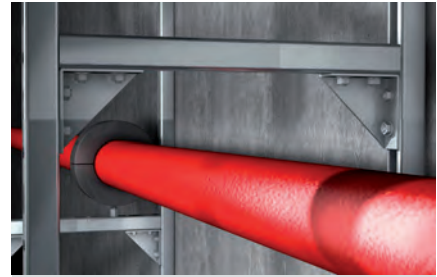
LOADS

see Channel nut FCN Clix P hdg.

Construction element - Angle bracket WK hdg.



Heavy drainage pipe under angle bracket



Solid frame construction

APPLICATIONS

- Reinforcement and fixing of pipelines and pipe components
- For indoor and outdoor applications and in environments with high stress to components due to corrosion

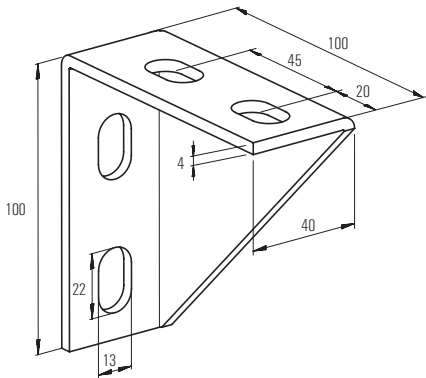
ADVANTAGES/BENEFITS

- The design of the angle bracket allows the fixing of pipe clamps or mounting channels.
- The stable angle ensures a very high level of stability and safety to the structure.
- The surface coating creates a high corrosion protection against environmental influences like humidity, water, saltwater or other corrosive substances.

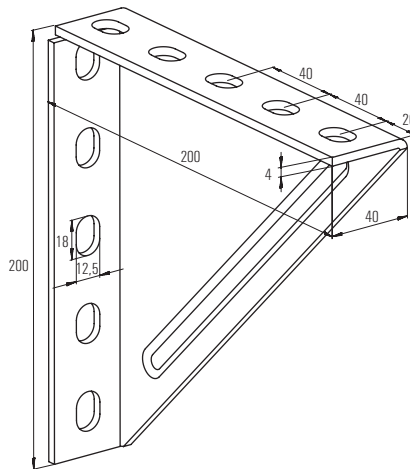
PROPERTIES

- **Material:** steel S235 JR (material no. 1.0037) acc. to DIN EN 10025
- **Zinc plating:** hot-dip galvanised, min. 45 µm, acc. to DIN EN ISO 1461

TECHNICAL DATA



WK 100/100 hdg.



WK 200/200 hdg.

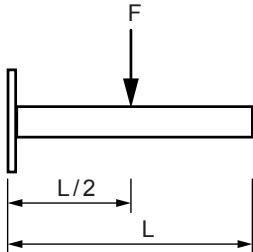
Item	Art.-No.	Sales unit			
			[pcs]		
WK 100/100 hdg.	538117		5		
WK 200/200 hdg.	538118		5		

Installation system FUS hdg. 3

LOADS

Item	Art.-No.	Max. recommended static load load case 1	Max. recommended static load load case 2
		F_{rec} [kN]	F_{rec} [kN]
WK 100/100 hdg.	538117	—	4.0
WK 200/200 hdg.	538118	4.0	1.8

Load case 1



Load case 2



Construction element – Variable bracket VB hdg.



Massiv bracing of cantilever arm

APPLICATIONS

- Variable bracket for FUS channel profiles to built up supporting structures
- Bracket for installation with FUS channels from 0° to 180°
- For indoor and outdoor applications and in environments with high stress to components due to corrosion

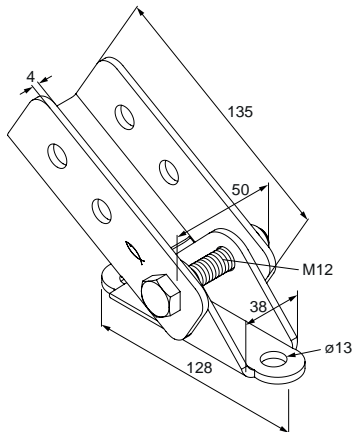
ADVANTAGES/BENEFITS

- The design of the variable bracket PVB enables the fixation of mounting channels at an angle of 30° to 180°.
- Due to the perforations on all sides of the VB, rails can be mounted with the rail opening facing downwards or laterally.
- The punched holes in the base plate allow the direct fixing onto a wall, ceiling or onto a mounting channel.
- The stainless steel surface creates a high corrosion protection against environmental influences like humidity, water, saltwater, or other corrosive substances.

PROPERTIES

- **Material:** steel S235 JR (material no.10037) acc. to DIN EN 10025
- **Zinc plating:** hot-dip galvanised, min. 45 µm, acc. to DIN EN ISO 1461

TECHNICAL DATA

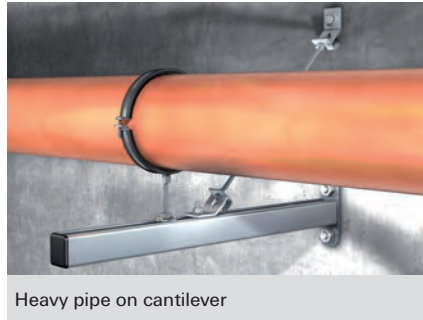


Item	Art.-No.	Sales unit
VB hdg.	545771	[pcs] 5

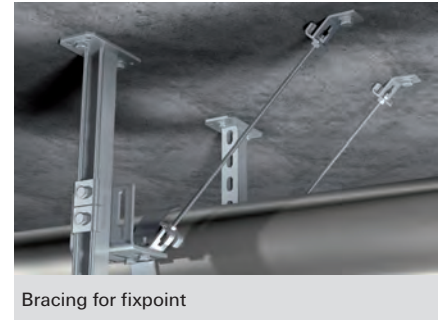
LOADS

see Channel nut FCN Clix P hdg.

Construction element - Threaded rod bracket FSB 45° hdg.



Heavy pipe on cantilever



Bracing for fixpoint

APPLICATIONS

- 45°-element for anchoring with M10 threaded rods
- For indoor and outdoor applications and in environments with high stress to components due to corrosion

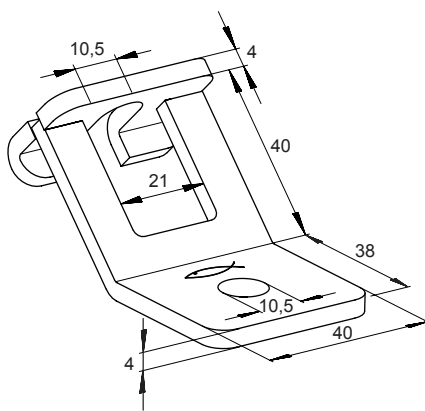
ADVANTAGES/BENEFITS

- The anchoring element's socket allows the fast insertion of a pre-mounted M10 threaded rod with nut.
- The hole in the base plate allows the direct fixing onto a wall or ceiling, or onto a mounting channel.
- The surface coating creates a high corrosion protection against environmental influences like humidity, water, saltwater or other corrosive substances.

PROPERTIES

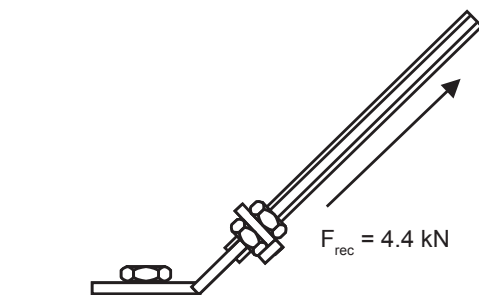
- **Material:** steel S235 JR (material no.: 1.0037) acc. to DIN EN 10025
- **Zinc plating:** hot-dip galvanised, min. 45 µm, acc. to DIN EN ISO 1461

TECHNICAL DATA



Item	Art.-No.	Sales unit			
		[pcs]			
FSB 45° hdg.	538120	20			

LOADS



Clamp for fixing of profiles to steel girders



Channel to steelbeam

APPLICATIONS

- Fixing to steel girders
- For indoor and outdoor applications and in environments with high stress to components due to corrosion

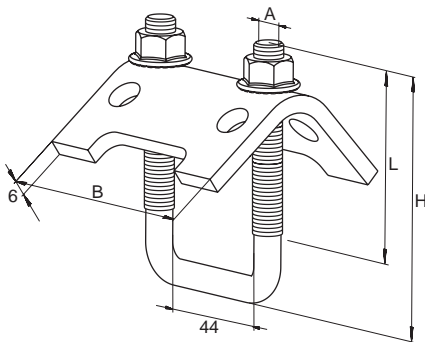
ADVANTAGES/BENEFITS

- The design of the beam clamp allows fixing without drilling or welding.
- The various lengths of the beam clamp allow the fixing on most standard beams.
- The shape of the beam clamp allows a simple adjustment of the channel connection.
- The surface coating creates a high corrosion protection against environmental influences like humidity, water, saltwater or other corrosive substances.

PROPERTIES

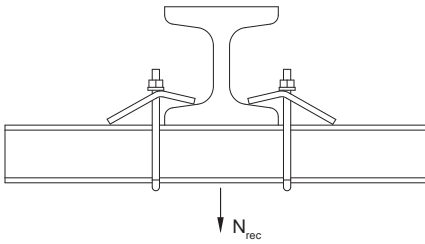
- **Material plate/U-bolt pipe hanger:** steel S235 JR (material no.10037) acc. to DIN EN 10025
- **Material hexagon nut:** steel resistance class 8
- **Zinc plating:** hot-dip galvanised, min. 40 - 45 µm, acc. to DIN EN ISO 146 1

TECHNICAL DATA



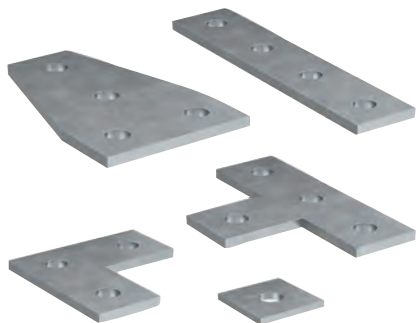
Item	Art.-No.	For profile	Thread	Width B	Height H	Sales unit
			A	B [mm]	H [mm]	[pcs]
TKR 21- 42 hdg.	538122	21, 41	M 10	79	97	20
TKR 82 hdg.	538123	62, 41D	M 10	79	137	20
TKR 124 hdg.	538124	62 D	M 10	79	179	10

LOADS



Item	Art.-No.	Max. recom. static load (centr. tension)	Tightening torque
		$N_{recom.}$ [kN]	T_{inst} [Nm]
TKR 21- 42 hdg.	538122	10.00	20
TKR 82 hdg.	538123	10.00	20
TKR 124 hdg.	538124	10.00	20

Construction elements - Brackets FFF hdg.



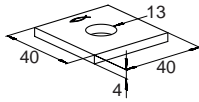
APPLICATIONS

- Connecting elements for the joining or strengthening of simple channel constructions
- For indoor and outdoor applications and in environments with high stress to components due to corrosion

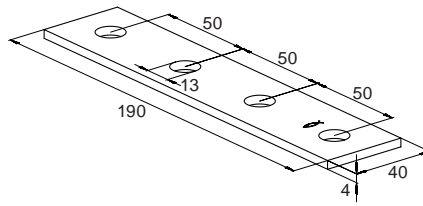
PROPERTIES

- **Material:** steel S235 JR (material no. 10037) acc. to DIN EN 10025
- **Zinc plating:** hot-dip galvanised, min. 45 µm, acc. to DIN EN ISO 1461

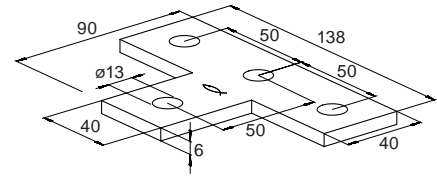
TECHNICAL DATA



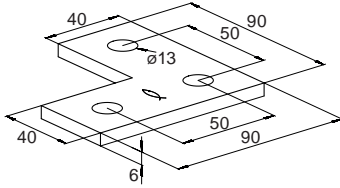
FFF 1 hdg.



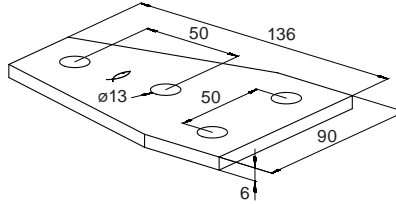
FFF 4 hdg.



FFF 4T hdg.



FFF 3L hdg.



FFF 4D hdg.

Item	Art.-No.	Sales unit	
		[pcs]	
FFF 1 hdg.	547506	25	
FFF 3L hdg.	537581	25	
FFF 4 hdg.	547507	25	
FFF 4T hdg.	537583	25	
FFF 4D hdg.	537584	25	

LOADS

see Channel nut FCN Clix P hdg.

Construction elements - Mounting bracket FAF hdg.



3 Installation system FUS hdg.

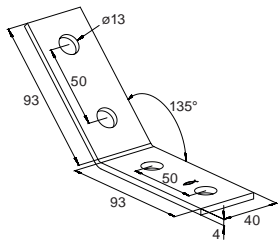
APPLICATIONS

- Connecting elements for the joining or strengthening of simple channel constructions
- For indoor and outdoor applications and in environments with high stress to components due to corrosion

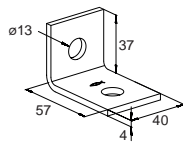
PROPERTIES

- **Material:** steel S235 JR (material no.: 1.0037) acc. to DIN EN 10025
- **Zinc plating:** hot-dip galvanised, min. 45 µm, acc. to DIN EN ISO 1461

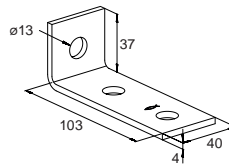
TECHNICAL DATA



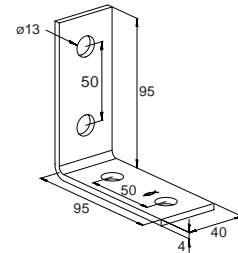
FAF 2/135° hdg.



FAF 2 hdg.



FAF 3 hdg.



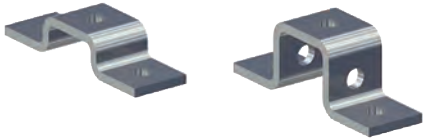
FAF 4 hdg.

Item	Art.-No.	Sales unit			
			[pcs]		
FAF 4/135° hdg.	547511		25		
FAF 2 hdg.	547508		25		
FAF 3 hdg.	547509		25		
FAF 4 hdg.	547510		25		

LOADS

see Channel nut FCN Clix P hdg.

Construction elements - Mounting brackets FUF hdg.



APPLICATIONS

- Connecting elements for multi-dimensional channel constructions
- For indoor and outdoor applications and in environments with high stress to components due to corrosion

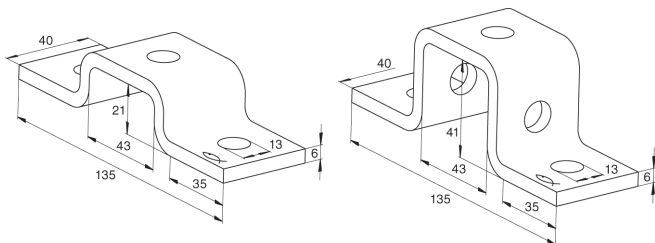
ADVANTAGES/BENETITS

- The various shapes of the connecting elements offer flexibility when it comes to the installation of rail constructions.
- The holes in the connecting elements make them compatible with the FCN Clix P.
- The surface coating creates a high corrosion protection against environmental influences like humidity, water, saltwater or other corrosive substances.

PROPERTIES

- **Material:** steel S235 JR (material no.10037) acc. to DIN EN 10025
- **Zinc plating:** hot-dip galvanised, min. 45 µm, acc. to DIN EN ISO 1461

TECHNICAL DATA



FUF 21 hdg.

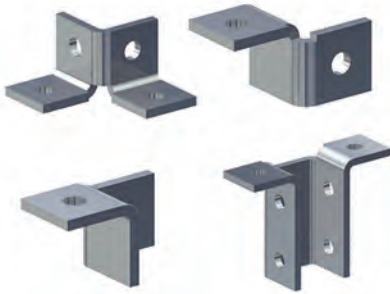
FUF 41 hdg.

Item	Art.-No.	Sales unit			
			[pcs]		
FUF 21 hdg.	537588		25		
FUF 41 hdg.	537589		25		

LOADS

see Channel nut FCN Clix P hdg.

Construction elements - Mounting brackets FUF hdg.



APPLICATIONS

- Connecting elements for multi-dimensional channel constructions
- For indoor and outdoor applications and in environments with high stress to components due to corrosion

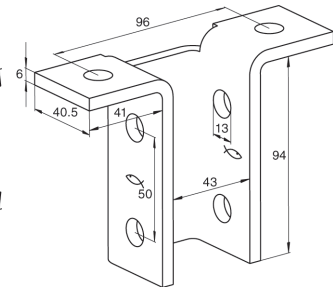
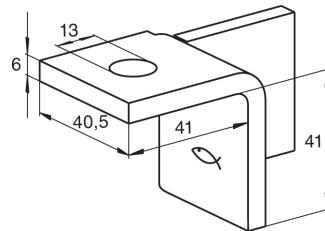
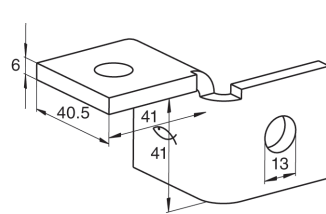
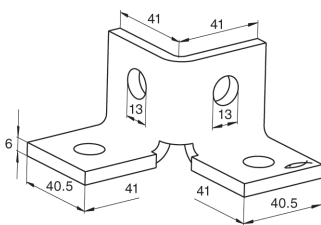
ADVANTAGES/BENETTITS

- The various shapes of the connecting elements offer flexibility when it comes to the installation of rail constructions.
- The holes in the connecting elements make them compatible with the FCN Clix P.
- The surface coating creates a high corrosion protection against environmental influences like humidity, water, saltwater or other corrosive substances.

PROPERTIES

- **Material:** steel S235 JR (material no.10037) acc. to DIN EN 10025
- **Zinc plating:** hot-dip galvanised, min. 45 µm, acc. to DIN EN ISO 1461

TECHNICAL DATA



FUF 4Y hdg.

FUF 180°L hdg.

FUF 180°R hdg.

FUF 8T hdg.

Item	Art.-No.	Sales unit			
			[pcs]		
FUF 4Y hdg.	537585		20		
FUF 180°L hdg.	537586		20		
FUF 180°R hdg.	537587		20		
FUF 8T hdg.	537590		10		

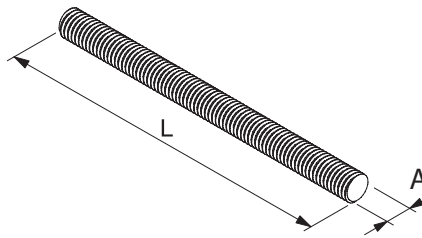
LOADS

see Channel nut FCN Clix P hdg.

Installation system FUS hdg. 3

Threaded rod G hdg.

TECHNICAL DATA



- **Material:** DIN 976 steel 4.8 acc. to DIN EN ISO 898-1
- **Coating:** G8 Zinclamella acc. to DIN EN ISO 10683 or 13858, min. 15 µm G10-G16 hot-dip galvanised, min. 40 µm acc. to 10684

Threaded rod G

Item	Art.-No.	Thread A	Length l [mm]	Sales unit [pcs]
G 8 zl	537691	M 8	1000	25
G 10 hdg.	537694	M 10	1000	25
G 12 hdg.	537695	M 12	1000	20
G 16 hdg.	537696	M 16	1000	10

Washer U hdg.

TECHNICAL DATA



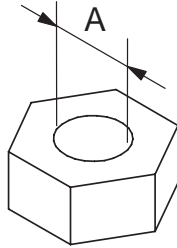
PROPERTIES

- **Material:** steel acc. to DIN 10139
- **Zinc plating:** min. 50 µm acc. to DIN EN ISO 12683

Item	Art.-No.	Thickness S [mm]	External-Ø d [mm]	Hole-Ø D [mm]	Sales unit [pcs]
U 8 x 28 hdg	537682	2	28	8.4	100
U 10 x 21 hdg	537683	2	21	10.5	100
U 10 x 40 hdg	537684	3	40	10.5	100
U 12 x 24 hdg	537685	2.5	24	13	100
U 12 x 40 hdg	537686	3	40	13	100

Hexagonal nut MU hdg.

TECHNICAL DATA



PROPERTIES

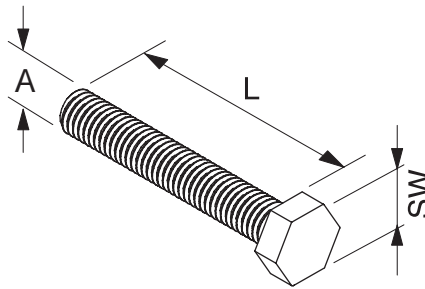
- **Material:** steel acc. to DIN 267-4, strength category 8
- **Zinc plating:** hot-dip galvanised, approx. 40 µm, acc. to DIN EN ISO 10684

Item	Art.-No.	Thread	Width across nut	Sales unit
		A	○ SW [mm]	[pcs]
MU M8 hdg.	537687	M 8	13	100
MU M10 hdg.	537688	M 10	17	100
MU M12 hdg.	537689	M 12	19	100
MU M16 hdg.	537690	M 16	24	100

3 Installation system FUS hdg.

Hexagonal screw SKS hdg.

TECHNICAL DATA



PROPERTIES

- **Material:** steel acc. to DIN-EN-ISO 898-1, steel 8.8
- **Zinc plating:** hot-dip galvanised, min. 40 µm, acc. to DIN EN ISO 10684

Hexagonal bolt SKS

Item	Art.-No.	Thread	Width across nut	Sales unit
		A	○ SW [mm]	[pcs]
SKS 10 x 25 hdg.	537681	M 10	17	100
SKS 12 x 25 hdg.	537680	M 12	19	100

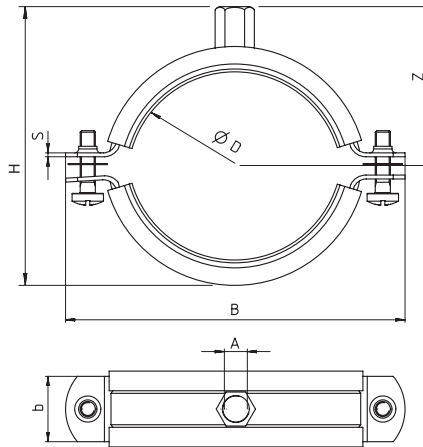


4 Installation system stainless steel

	Page		Page
PIPE CLAMPS A2/A4		FUS A2/A4	
Pipe clamp FRS A2/A4	 242	FUS Channel A2/A4	 245
MS-L A2		Cantilever arm FCA A4	
Channel MS-L A2	 243	Cantilever arm FCA A4	 245
Cantilever arm ALK A2	 243	Saddle flange SF L A4	 246
T-head bolt FHS Clix A2	 243	Mounting bracket FAF A4	 246
Installation angle bracket MW A2	 244	Beam clamp TKR A4	 248
Saddle flange SF A2	 244	Channel washer HK 41 A4	 248
Channel nut HG A2	 244	Clix channel nut FCN Clix A4	 249
		Stud screw STS A2/A4	 249
		ACCESSORIES A2/A4	
		Threaded rod G A2/A4	 250
		Threaded stud GS A4	 250
		Hexagonal connector VM A4	 250
		Washer U A4	 251
		Hexagonal nut MU A4	 251
		Hexagonal screw SKS A4	 251

Pipe clamp FRS A2/A4

TECHNICAL DATA



PROPERTIES

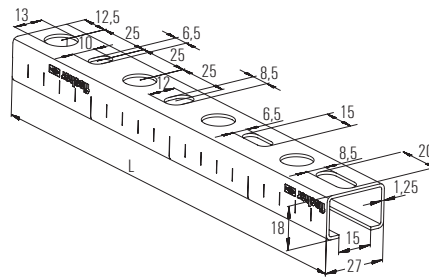
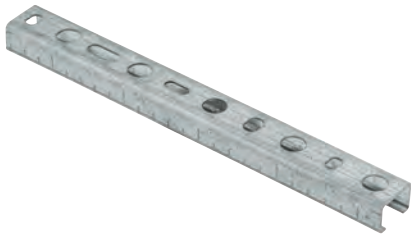
- **Material:** stainless steel A2: material no 1.4301, acc. DIN EN 10088-1
- **Material:** stainless steel A4: material no 1.4401, acc. DIN EN 10088-1
- **Material sound insulation insert:** EPDM; chlorine-free; silicone-free
- **Temperature range:** -40 °C to +100 °C
- **Hardness:** 55 ± 5° Shore A
- **Fire behaviour:** DIN 4102: Class B2

Item	Art.-No.	Thread	Size	Clamping range	Width B	Height H	Width x thickness clamp band	Height Z	Locking screw	Max. recom. static load (centr. tension)	Sales unit
		A	[inch]	D [mm]	B [mm]	H [mm]	b x s [mm]	Z [mm]	$N_{recom.}$ [kN]	[pcs]	
FRS 3/8" A2	064290	M 8	3/8"	15 - 19	62	40	20 x 1,2	23	M 6	1.00	100
FRS 1/2" A2	064536	M 8	1/2"	20 - 24	68	45	20 x 1,2	26	M 6	1.00	100
FRS 3/4" A2	064639	M 8	3/4"	25 - 30	75	52	20 x 1,2	29	M 6	1.00	100
FRS 1" A2	064646	M 8	1"	31 - 38	80	60	20 x 1,2	32	M 6	1.00	100
FRS 1 1/4" A2	064669	M 8	1 1/4"	40 - 46	90	67	20 x 1,2	37	M 6	1.00	50
FRS 1 1/2" A2	064673	M 8	1 1/2"	48 - 54	97	75	20 x 1,2	41	M 6	1.00	50
FRS 54 - 58 A2	064674	M 8	—	54 - 59	104	80	20 x 1,2	44	M 6	1.00	50
FRS 2" A2	064675	M 8	2"	60 - 64	110	85	20 x 1,2	46	M 6	1.00	50
FRS 67 - 71 A2	064688	M 8	—	67 - 71	119	92	20 x 1,2	49	M 6	1.00	25
FRS 2 1/2" A2	064689	M 10	2 1/2"	72 - 78	130	99	25 x 1,5	53	M 6	1.30	25
FRS 81 - 86 A2	064693	M 10	—	81 - 86	132	107	25 x 1,5	58	M 6	1.30	25
FRS 3" A2	064694	M 10	3"	87 - 92	144	113	25 x 1,5	60	M 6	1.30	25
FRS 95 - 103 A2	064695	M 10	—	95 - 103	156	124	25 x 1,5	66	M 6	1.30	25
FRS 4" A2	064697	M 10	4"	102 - 116	172	138	25 x 2,0	73	M 6	2.0	20
FRS 121 - 127 A2	064709	M 10	—	121 - 127	192	149	25 x 2,0	79	M 8	2.0	10
FRS 133 - 141 A2	064713	M 10	5"	133 - 141	198	163	25 x 2,0	86	M 8	2.0	10
FRS 159 - 168 A2	064714	M 10	6"	159 - 169	218	191	25 x 2,0	100	M 8	2.0	8
FRS 3/8" A4	064864	M 8	3/8"	15 - 19	62	40	20 x 1,2	23	M 6	1.00	100
FRS 1/2" A4	064865	M 8	1/2"	20 - 24	68	45	20 x 1,2	26	M 6	1.00	100
FRS 3/4" A4	064866	M 8	3/4"	25 - 30	75	52	20 x 1,2	29	M 6	1.00	100
FRS 1" A4	064868	M 8	1"	31 - 38	80	60	20 x 1,2	32	M 6	1.00	100
FRS 1 1/4" A4	064869	M 8	1 1/4"	40 - 46	90	67	20 x 1,2	37	M 6	1.00	50
FRS 1 1/2" A4	064870	M 8	1 1/2"	48 - 54	97	75	20 x 1,2	41	M 6	1.00	50
FRS 54 - 58 A4	064873 1)	M 8	—	54 - 59	104	80	20 x 1,2	44	M 6	1.00	50
FRS 2" A4	064874	M 8	2"	60 - 64	110	85	20 x 1,2	46	M 6	1.00	50
FRS 67 - 71 A4	064875 1)	M 8	—	67 - 71	119	92	25 x 1,2	49	M 6	1.00	25
FRS 2 1/2" A4	064879	M 10	2 1/2"	72 - 78	130	99	25 x 1,5	53	M 6	1.30	25
FRS 81 - 86 A4	064892 1)	M 10	—	81 - 86	132	107	25 x 1,5	58	M 6	1.30	25
FRS 3" A4	064893 1)	M 10	3"	87 - 92	144	113	25 x 1,5	60	M 6	1.30	25
FRS 95 - 103 A4	064894 1)	M 10	—	95 - 103	156	124	25 x 1,5	66	M 6	1.30	25
FRS 4" A4	064898	M 10	4"	102 - 116	172	138	25 x 2,0	73	M 6	2.0	20
FRS 121 - 127 A4	064899 1)	M 10	—	121 - 127	192	149	25 x 2,0	79	M 8	2.0	10
FRS 133 - 141 A4	064901 1)	M 10	5"	133 - 141	198	163	25 x 2,0	86	M 8	2.0	10
FRS 159 - 168 A4	064903	M 10	6"	159 - 168	218	191	25 x 2,0	100	M 8	2.0	8

1) Delivery time on request.

Channel MS-L

TECHNICAL DATA



PROPERTIES

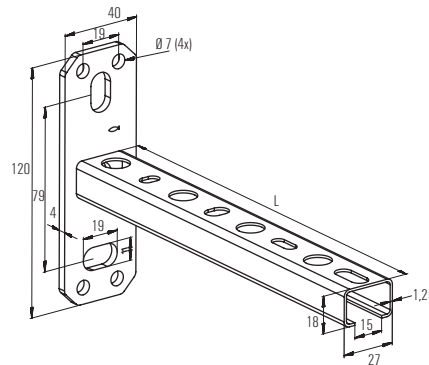
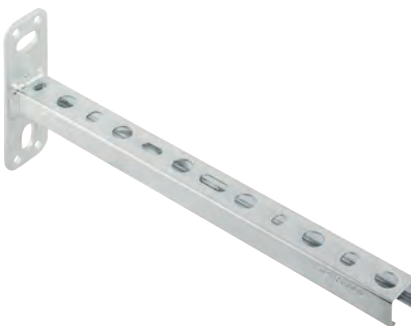
- **Material:** stainless steel A2: material-no 1.4301, acc. DIN EN 10088-1

Item	Art.-No.	Length	Sales unit
		L [mm]	[pcs]
MS 27/18 A2 - 2 m	064905	2000	1

Weights and loads see chapter MS-L and MS

Cantilever arm ALK A2

TECHNICAL DATA



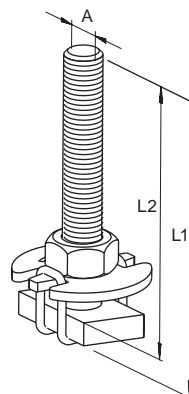
PROPERTIES

- **Material:** stainless steel A2: material-no 1.4301, acc. DIN EN 10088-1

Item	Art.-No.	Length	Height H	Sales unit
		L [mm]	H [mm]	[pcs]
ALK 27/18 - 200 A2	065101	200	18	20

T-head bolt FHS Clix

TECHNICAL DATA



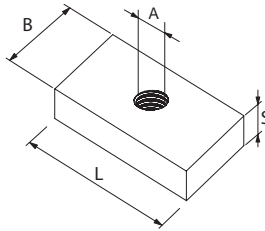
PROPERTIES

- **Material:** stainless steel A2: material-no 1.4301, acc. DIN EN 10088-1

Item	Art.-No.	Thread	Length L ₁	Length L ₂	Max. recommended tension load for MS-L 27/18	Max. recommended shear load	Tightening torque	Sales unit
		A	[mm]	[mm]	N _{rec} [kN]	V _{rec} [kN]	T _{inst} [Nm]	[pcs]
FHS CLIX 8 x 30 A2	077634	M 8	30	25	1.7	0.2	5	100
FHS CLIX 10 x 30 A2	064975	M 10	30	25	2.0	0.3	8	100

Channel nut HG A2

TECHNICAL DATA



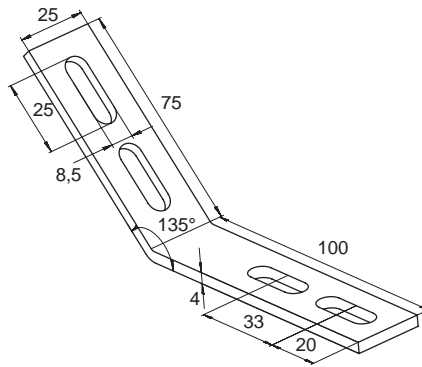
PROPERTIES

- Material: stainless steel A2: material-no 1.4301, acc. DIN EN 10088-1

Item	Art.-No.	Thread A	Thickness S [mm]	Max. recommended tension load for MS-L 27/18 N _{rec} [kN]	Max. recommended shear load V _{rec} [kN]	Tightening torque T _{inst} [Nm]	Sales unit [pcs]
HG 27 M 8 A2	077636	M 8	5	1.7	0.4	8	100
HG 27 M 10 A2	064977	M 10	5	2.0	0.5	10	100

Installation angle bracket MW A2

TECHNICAL DATA



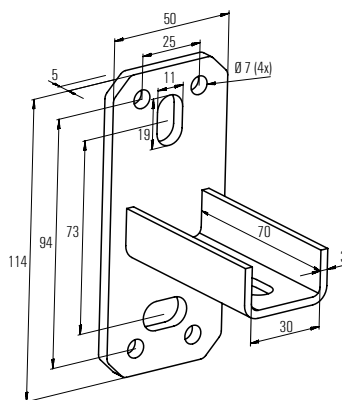
PROPERTIES

- Material: stainless steel A2: material-no 1.4301, acc. DIN EN 10088-1

Item	Art.-No.	Length l [mm]	Sales unit [pcs]
MW 27-45° A2	077626	100	25
MW 27-90° A2	077625	80	25

Saddle flange SF L A2

TECHNICAL DATA



PROPERTIES

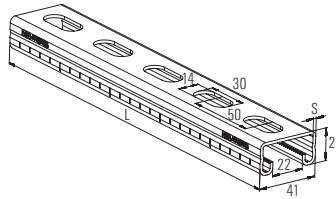
- Material: stainless steel A2: material-no 1.4301, acc. DIN EN 10088-1

Item	Art.-No.	Sales unit [pcs]
SF L 27 A2	077615	15

4 Installationssystem stainless steel

FUS Channel A2/A4

TECHNICAL DATA



PROPERTIES

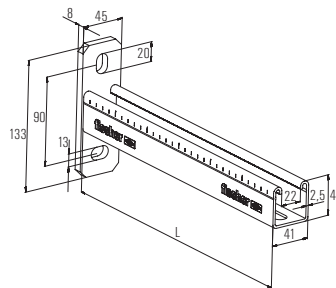
- **Material:** stainless steel A2: material-no 1.4301, acc. DIN EN 10088-1
- **Material:** stainless steel A4: material-no 1.4401, acc. DIN EN 10088-1

Item	Art.-No.	Fire test report	Length		Profile thickness		Sales unit	
				[mm]	[mm]	[pcs]		
FUS 21/2,0 A2 - 2 m	504466	—		2000		2		1
FUS 21/2,0 A2 - 6 m	542735	—		6000		2		1
FUS 41/2,0 A2 - 2 m	504468	—		2000		2		1
FUS 41/2,0 A2 - 6 m	542736	—		6000		2		1
FUS 41/2,5 A2 - 2 m	504470	X		2000		2,5		1
FUS 41/2,5 A2 - 6 m	542737	X		6000		2,5		1
FUS 21/2,0 A4 - 2 m	504472	—		2000		2		1
FUS 21/2,0 A4 - 6 m	542738	—		6000		2		1
FUS 41/2,0 A4 - 2 m	504474	—		2000		2		1
FUS 41/2,0 A4 - 6 m	542739	—		6000		2		1
FUS 41/2,5 A4 - 2 m	504475	X		2000		2,5		1
FUS 41/2,5 A4 - 6 m	542740	X		6000		2,5		1

For loads and weight of channels and cantilever arms see page **91**

Cantilever arm FCA A4

TECHNICAL DATA



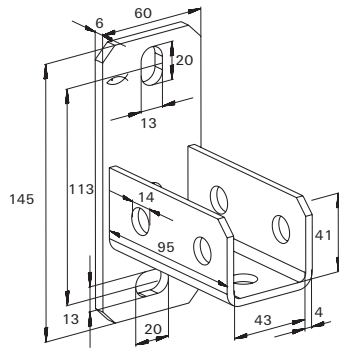
PROPERTIES

- **Material:** stainless steel A4: material-no 1.4401, acc. DIN EN 10088-1

Item	Art.-No.	Fire test report	Length		Sales unit	
				[mm]	[pcs]	
FCA 41 A4 - 300	505487	X		300		1
FCA 41 A4 - 450	505488	X		450		1
FCA 41 A4 - 600	505489	X		600		1

Saddle flange SF L A4

TECHNICAL DATA



SFL 41

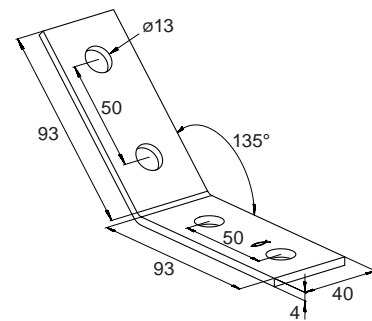
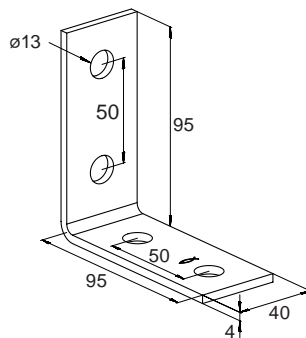
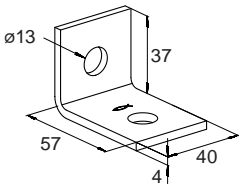
Item	Art.-No.	Fire test report	For profile	Sales unit
SFL 41 A4	504522	X	FUS 21 + FUS 41	[pcs] 10

Bracket FAF A4

TECHNICAL DATA

PROPERTIES

- Material: stainless steel A4: material-no 1.4401, acc. DIN EN 10088-1



FAF 2 A4

FAF 4 A4

FAF 4/135° A4

Item	Art.-No.	Sales unit
FAF 2 A4	547512	[pcs] 25
FAF 4 A4	547513	25
FAF 4/135° A4	547514	25

Construction element – Variable bracket VB A2



Massiv bracing of cantilever arm

APPLICATIONS

- Variable bracket for FUS channel profiles to built up supporting structures
- Bracket for installation with FUS channels from 0° to 180°
- For indoor and outdoor applications and in environments with high stress to components due to corrosion

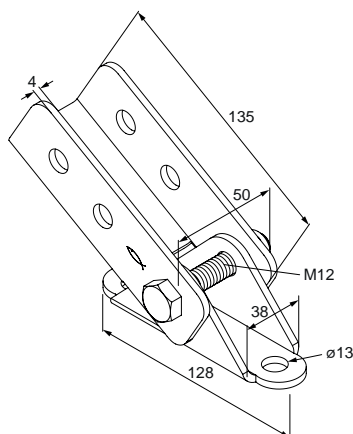
ADVANTAGES/BENEFITS

- The design of the variable bracket PVB enables the fixation of mounting channels at an angle of 30° to 180°.
- Due to the perforations on all sides of the VB, rails can be mounted with the rail opening facing downwards or laterally.
- The punched holes in the base plate allow the direct fixing onto a wall, ceiling or onto a mounting channel.
- The stainless steel surface creates a high corrosion protection against environmental influences like humidity, water, saltwater, or other corrosive substances.

PROPERTIES

- **Material:** stainless steel A2: material-no 1.4301, acc. DIN EN 10088-1

TECHNICAL DATA



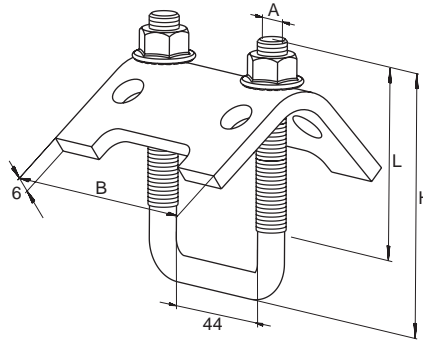
Item	Art.-No.	Sales unit	
		[pcs]	
VB A2	545651	5	

LOADS

see Channel nut FCN Clix P

Beam clamp TKR A4

TECHNICAL DATA



PROPERTIES

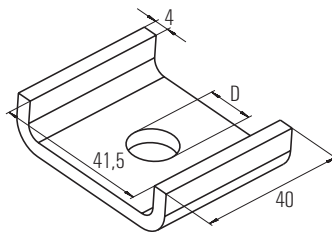
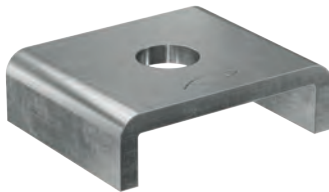
- **Material:** stainless steel A4: material-no 1.4401, acc. DIN EN 10088-1

Beam clamp TKR

Item	Art.-No.	For profile	Sales unit
TKR 21 - 42 A4	504476	FUS 21 + FUS 41	[pcs] 20

4 Channel washer HK 41 A4

TECHNICAL DATA



PROPERTIES

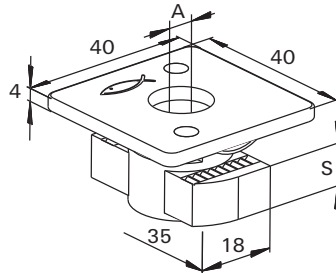
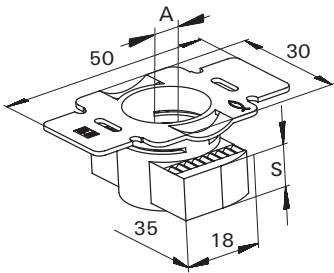
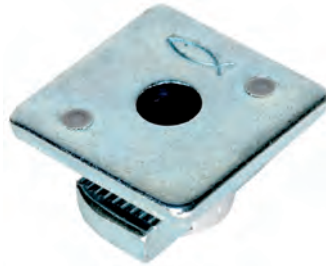
- **Material:** stainless steel A4: material-no 1.4401, acc. DIN EN 10088-1

Item	Art.-No.	Fire test report	For profile	Hole-Ø	Sales unit
HK 41 12,5 - A4	547497	X	all FUS channels	D [mm] 12.5	[pcs] 50

Installationssystem stainless steel

Clix channel nut FCN Clix A4

TECHNICAL DATA



FCN Clix P

FCN Clix M

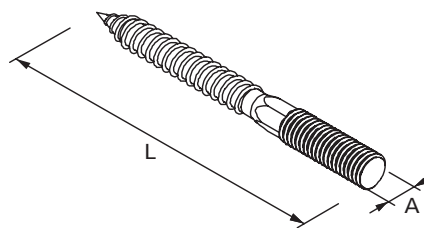
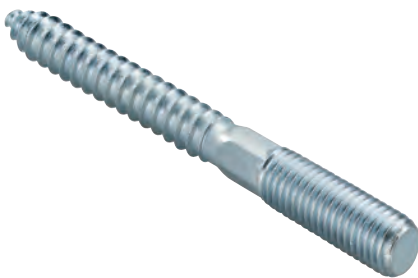
PROPERTIES

- **Material:** stainless steel A4: material no 1.4401, acc. DIN EN 10088-1
- **Plastic:** Nylon PA 6

Item	Art.-No.	Fire test report	Thread	Thickness	Sales unit
			A	S	[pcs]
FCN Clix P 8 A4	504436	–	M 8	6	100
FCN Clix P 10 A4	504437	X	M 10	8	100
FCN Clix P 12 A4	504439	X	M 12	9.5	100
FCN Clix M 8 A4	504440	–	M 8	6	100
FCN Clix M 10 A4	504447	X	M 10	8	100

Stud screw STS A2/A4

TECHNICAL DATA



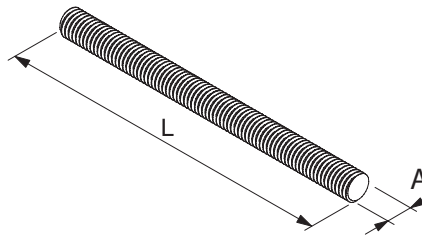
PROPERTIES

- **Material:** stainless steel A2: material no 1.4301, acc. DIN EN 10088-1
- **Material:** stainless steel A4: material no 1.4401, acc. DIN EN 10088-1

Item	Art.-No.	Thread	Length	Sales unit
		A1	L	[pcs]
STS 8 x 80 A2	065132	M 8	80	100
STS 8 x 100 A2	077643	M 8	100	100
STS 10 x 100 A2	065153	M 10	100	100
STS 8 x 100 A4	077715	M 8	100	100
STS 10 x 100 A4	077716	M 10	100	100

Threaded rod G A2/A4

TECHNICAL DATA



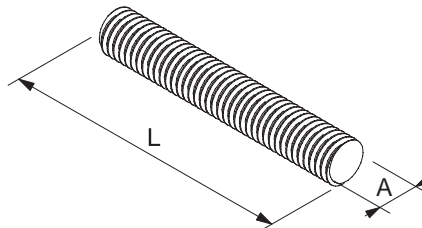
PROPERTIES

- **Material:** stainless steel A2: material-no 1.4301, acc. DIN EN 10088-1
- **Material:** stainless steel A4: material-no 1.4401, acc. DIN EN 10088-1
- **Property class:** min. 70 (A2 / A4)

Item	Art.-No.	Thread	Length	Sales unit
		A	l [mm]	[pcs]
G 8 A2	077644	M 8	1000	5
G 10 A2	065173	M 10	1000	5
G 8 A4	077645	M 8	1000	5
G 10 A4	065174	M 10	1000	5

Threaded stud GS A4

TECHNICAL DATA



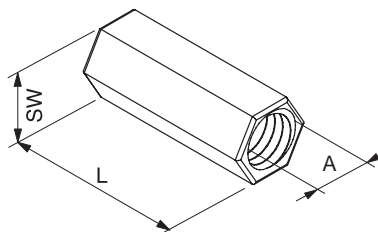
PROPERTIES

- **Material:** stainless steel A4: material-no 1.4401, acc. DIN EN 10088-1
- **Property class:** min. 70 (A2 / A4)

Item	Art.-No.	Thread	Length	Sales unit
		A	l [mm]	[pcs]
GS 8/40 A4	505536	M 8	40	100
GS 8/60 A4	505537	M 8	60	100
GS 10/40 A4	505538	M 10	40	100
GS 10/60 A4	505539	M 10	60	100

Hexagonal connector VM A4

TECHNICAL DATA



PROPERTIES

- **Material:** stainless steel A4: material-no 1.4401, acc. DIN EN 10088-1

Item	Art.-No.	Length	Thread	Width across nut	Sales unit
		l [mm]	A	○ SW [mm]	[pcs]
VM M8 A4	505540	30	M 8	11	100
VM M10 A4	505541	30	M 10	13	100

Washer U A4

TECHNICAL DATA



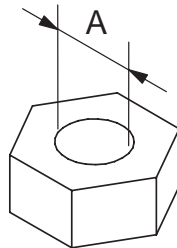
Item	Art.-No.	Thickness	External-Ø	Hole-Ø	Sales unit
		S [mm]	d [mm]	D [mm]	[pcs]
U 8 x 28 A4	505542	2	28	8.4	100
U 8 x 40 A4	505543	3	40	8.4	100
U 10 x 28 A4	505544	2	30	10.5	100
U 10 x 40 A4	505545	3	40	10.5	100
U 12 x 24 A4	505546	2	24	12.5	100

PROPERTIES

- **Material:** stainless steel A4: material-no 1.4401, alternative 1.4571 acc. DIN EN 10028-7

Hexagonal nut MU A4

TECHNICAL DATA



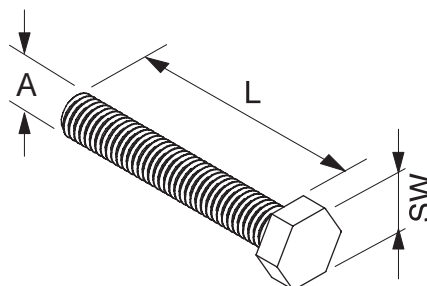
Item	Art.-No.	Thread	Width across nut	Sales unit
		A	○ SW [mm]	[pcs]
MU M 8 A4	077642	M 8	13	100
MU M 10 A4	077641	M 10	17	100

PROPERTIES

- **Material:** stainless steel A4, acc. to DIN EN ISO 3506-2
- **Property class:** min. 50, acc. to DIN EN ISO 3506-2

Hexagonal screw SKS A4

TECHNICAL DATA






Item	Art.-No.	Thread	Width across nut	Sales unit
		A	○ SW [mm]	[pcs]
SKS M 10 x 30 A4	505547	M 10	17	100
SKS M 12 x 30 A4	505548	M 12	19	100

PROPERTIES

- **Material:** stainless steel A4, material-no. 1.4401, acc. to DIN EN ISO 3506-1
- **Property class:** min. 70, acc. to DIN EN ISO 3506-1)



5 Air conditioner fixings

	Page
KIT FOR AIR CONDITIONER FIXING	
Air conditioner fixing MCE	 254
Air conditioner fixing KSU	 256
Sound absorption element PA	 257

The complete kit for air conditioner fixing on walls



Airconditioner on the outer wall

APPLICATIONS

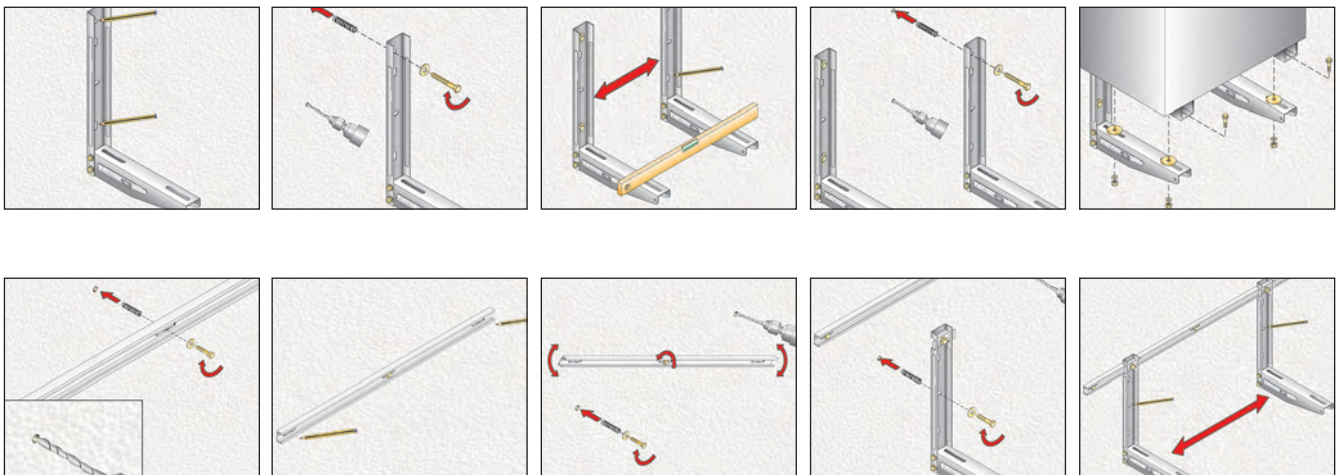
- Universal fixing for air conditioners
- MCE Klima Klik - air conditioner fixing onto walls with max. fixing distance of 760 mm on the horizontal channel
- Please consider: load bearing capacity of the wall and the quality of the substrate

ADVANTAGES/BENEFITS

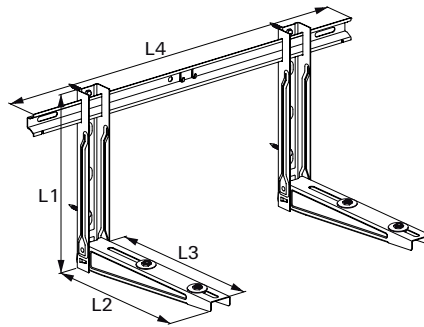
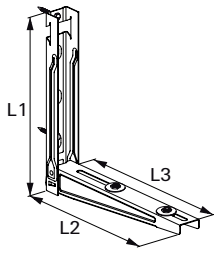
- The complete kit including anti vibration dumper, SX plug and screws offers an optimised installation security.
- The brackets with quick snap (Klik) simplify and shorten the installation.
- The horizontal channel of the MCE Klima Klik allows a flexible adjustment of the brackets and simplifies the installation additionally.
- The MCE Klima Klik horizontal channel with snap-on bubble level enables the adjustment without additional tools.

PROPERTIES

- **Material:** steel
- **Coating:** powder coating
- **Colour:** RAL 9002



TECHNICAL DATA



KLIMA EASY KLIK

KLIMA KLIK

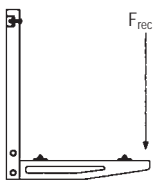
Item	Art.-No.	Length L ₁ [mm]	Length L ₂ [mm]	Length L ₃ [mm]	Length L ₄ [mm]
KLIMA EASY KLIK	521760	400	420	380	–
KLIMA KLIK 420	521761	400	420	380	780

LOADS

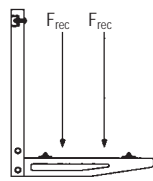
Item	Art.-No.	Max. recommended static load load case 1	Max. recommended static load load case 2
		F _{rec} [kN]	F _{rec} [kN]
KLIMA EASY KLIK	521760 ¹⁾	1.0	1.0
KLIMA KLIK 420	521761 ¹⁾	1.0	1.0

¹⁾ The loads are valid for the use in pairs (two consoles).

Load case 1



Load case 2



The complete kit for fixing of Air conditioners, pumps or ventilators on walls



5 Air conditioner fixings

APPLICATIONS

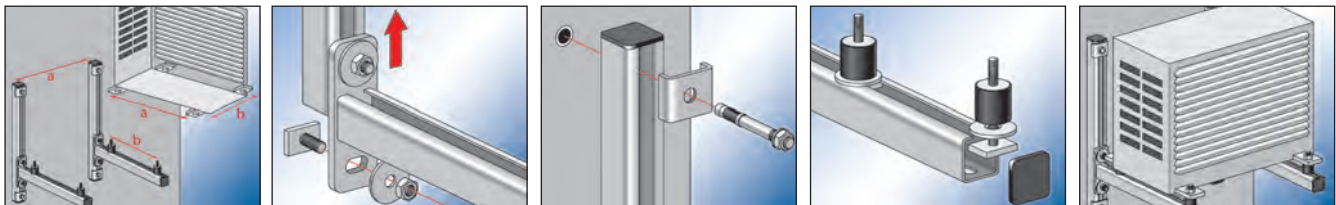
- Secure attachment of air conditioners (pumps and fans) to walls with or without sound insulation element

ADVANTAGES/BENEFITS

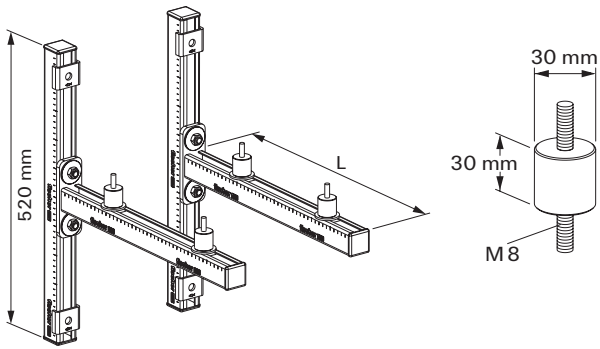
- The KSU-S complete kit includes 4 noise protection pieces, and offers an optimised noise reduction.
- The horizontal channel with different lengths and the SM sliding nut of the KSU set allow a flexible adjustment of the noise protection pieces to simplify the installation.
- The included T-head bolt for the fixing of the cantilevers offers the possibility of an easy adjustment and a time saving installation.
- The KSU set consists of finished cut channels for instant use and avoids the accumulation of single pieces.

PROPERTIES

- **Material:** steel DX51D+Z 275 MA-C (material no. 1.0226+Z) acc. to DIN EN 10327
- **Zinc plating:** sendzimir-galvanised, app. 15 µm



TECHNICAL DATA



KSU

PA 30 x 30

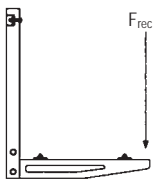
Item	Art.-No.	Length l [mm]	Construction with noise protection	Sales unit [pcs]
KSU 440	512712	440	—	1
KSU 520	512713	520	—	1
KSU 600	512714	600	—	1
KSU S 440	512709	440	yes	1
KSU S 520	512710	520	yes	1
KSU S 600	512711	600	yes	1
PA 30 x 30	512715	—	—	4

LOADS

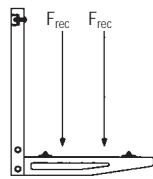
Item	Art.-No.	Max. recommended static load load case 1		Max. recommended static load load case 2	
		F_{rec} [kN]		F_{rec} [kN]	
KSU 440	512712 1)	1.5		1.5	
KSU 520	512713 1)	1.5		1.5	
KSU 600	512714 1)	1.5		1.5	
KSU S 440	512709 1)	1.5		1.5	
KSU S 520	512710 1)	1.5		1.5	
KSU S 600	512711 1)	1.5		1.5	

1) The loads are valid for the use in pairs (two consoles).

Load case 1

















Load case 2

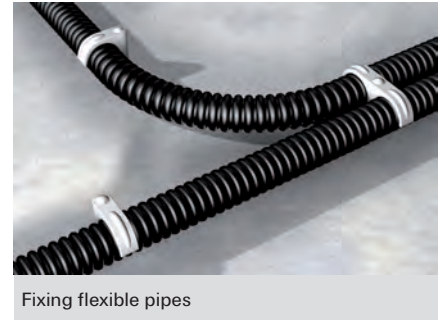




6 Electrical fixings

		Page			Page
ClipFix plus LS/ES/ZS		260	Nail clip NS/MNS		274
ClipFix plus SD		262	Nail disc NSB		276
Cable clasp KB		264	Spacer pipe clamp AM		278
Cable harness SHA		266	Conduit clip BSM		280
Pipe clip RC		268	Impact nail ED		282
Pipe clip FC		270	Cable tie BN/UBN		284
Saddle clip SCH		272	Wireclip		286

The user-friendly clip fixing for pipes and conduits



BUILDING MATERIALS

- Concrete
- Solid pumice block
- Solid sand-lime brick
- Natural stone with dense structure
- Solid brick

CHARACTERISTICS



ADVANTAGES

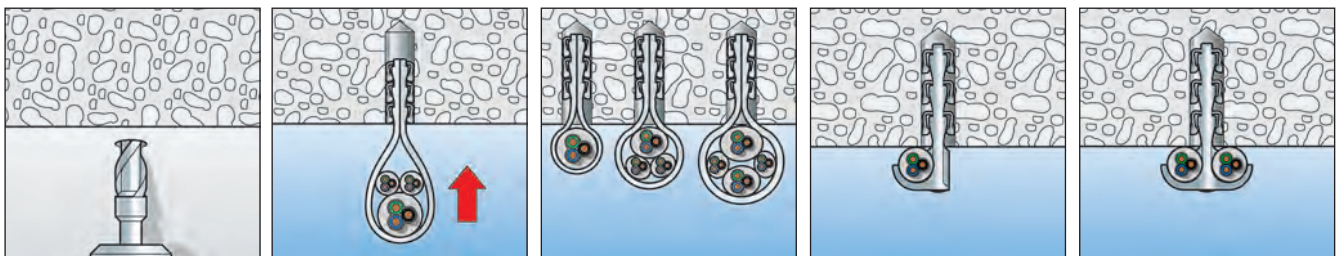
- The complete element combines anchor, screw and clamp. This saves materials, allows for one-handed installation, and reduces assembly time.
- The slimline geometry of the fixing element only protrudes slightly, thus saving space.
- The three different sizes of each of the cable strap LS, twin clamp ZS and single clamp ES cover a range of cable diameters, thus reducing storage.
- The long-lasting nylon material is flame resistant, halogen- and silicone-free, can be used all year round, including during a frost. This ensures a high level of safety.

APPLICATIONS

- For fixing of:**
- Individual electric cables
 - Cable bundles
 - Flexible pipes
 - Rigid plastic pipes

FUNCTIONING

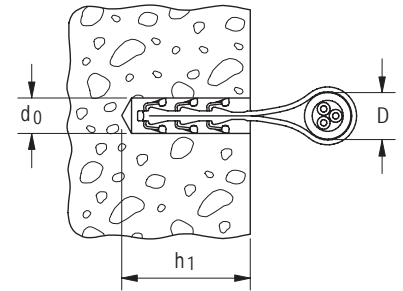
- The clip fixing is set into the drill hole without the need for any additional screws and fixes the pipe directly to the base material.
- The clamping force of the locking catch allows the ClipFix to hold itself in the drill hole.
- Place the clasp of the cable strap LS into the drill hole so that it is level and the teeth grip.
- Recommended loads (required safety factor considered): cable strap LS up to 6 kg, twin clamp ZS and single clamp ES up to 11 kg.
- Temperature resistance once installed from -20 °C to +80 °C.



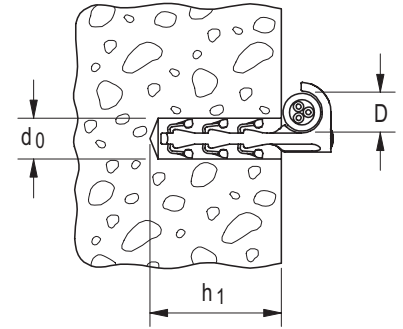
TECHNICAL DATA



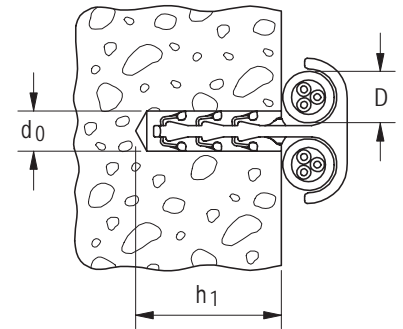
Clip fix plus cable strap **SF plus LS**



Clip fix plus single clamp **SF plus ES**



ClipFix plus twin clamp **SF plus ZS**

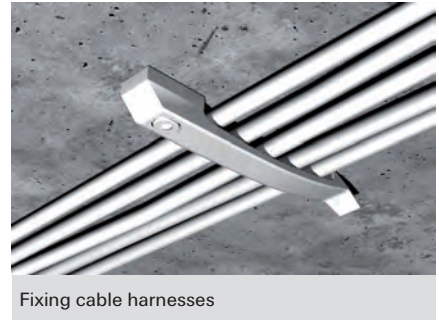


Item	Art.-No.	Drill hole	Min. drill hole depth	Clamping range	Sales unit			
		d_0 [Ø mm]	h_1 [mm]	D [mm]	[pcs]			
SF plus LS 3/13	058155	6	35	3 - 13	100			
SF plus LS 8/28	058156	6	50	8 - 28	100			
SF plus LS 20/40	058157	6	50	20 - 40	100			
SF plus ES 10	048151	6	40	3 - 12	100			
SF plus ES 18	048152	6	40	10 - 25	100			
SF plus ES 28	058183	6	40	15 - 31	100			
SF plus ZS 10	058184	6	35	3 - 12	100			
SF plus ZS 18	048161	6	40	10 - 25	100			
SF plus ZS 28	048162	6	40	15 - 31	75			

The user-friendly clip fixing for cable ducts and cable clasps



Fixing cable ducts



Fixing cable harnesses

BUILDING MATERIALS

- Concrete
- Solid pumice block
- Solid sand-lime brick
- Natural stone with dense structure
- Solid brick

CHARACTERISTICS



ADVANTAGES

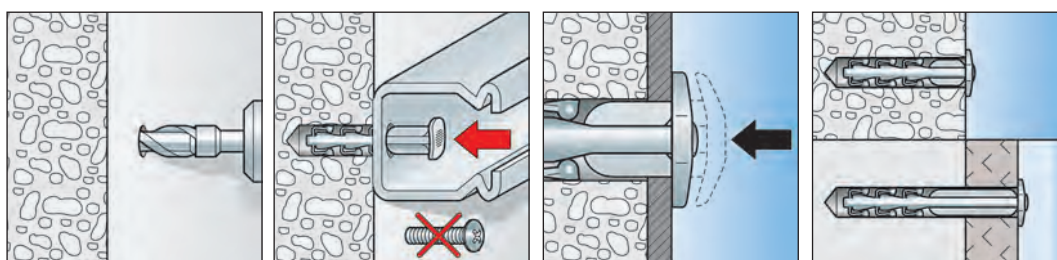
- The ClipFix plus SD combines anchor and screw. This saves on materials and makes it easier to affix cable ducts that are difficult to access without the need for additional tools.
- The simple clip fixing reduces installation time.
- The extended shank of the FS plus SD 40 allows bridging of non-bearing plaster layers, as well as the fixing of thicker attachments.
- The long-lasting nylon material is flame resistant, halogen- and silicone-free. It can be used all year round, including during a frost. This ensures a high level of safety.

APPLICATIONS

- For fixing of:**
- Cable channels
 - Cable clasps
 - Installation base cable harness
 - Flat building components

FUNCTIONING

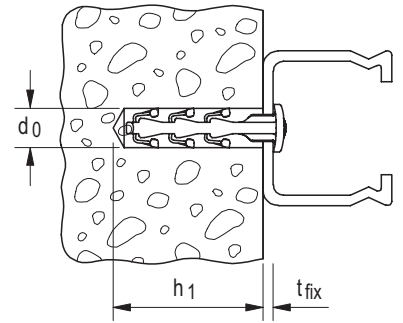
- To fix, manually place the ClipFix plus SD directly into the drill hole. No additional screws are needed.
- The clamping force of the locking catch allows the ClipFix to hold itself in the drill hole.
- Recommended loads (required safety factor considered): clip fixing SD up to 11 kg.
- Temperature resistance once installed from -20 °C to +80 °C.



TECHNICAL DATA

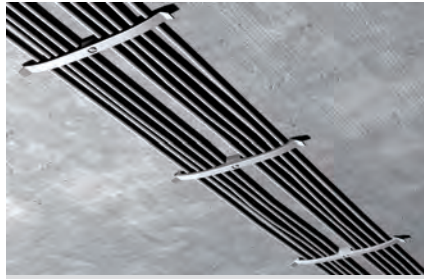


fischer ClipFix plus clip fixing **SF plus SD**

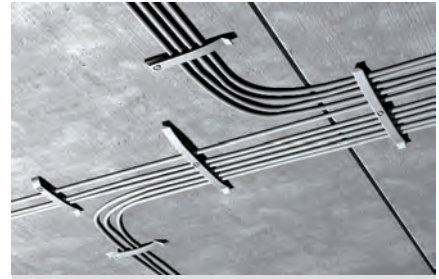


Item	Art.-No.	Drill hole d_0 [Ø mm]	Min. drill hole depth h_1 [mm]	Max. usable length t_{fix} [mm]	Sales unit [pcs]			
SF plus SD 30	058178	6	35	4	200			
SF plus SD 40	058179	6	35	15	100			

The flat cable clasp for space-saving cable fixing



Fixing cable harnesses



Fixing cable harnesses

BUILDING MATERIALS

When using ClipFix SD:

- Concrete
- Solid pumice block
- Solid sand-lime brick
- Natural stone with dense structure
- Solid brick

CHARACTERISTICS



ADVANTAGES

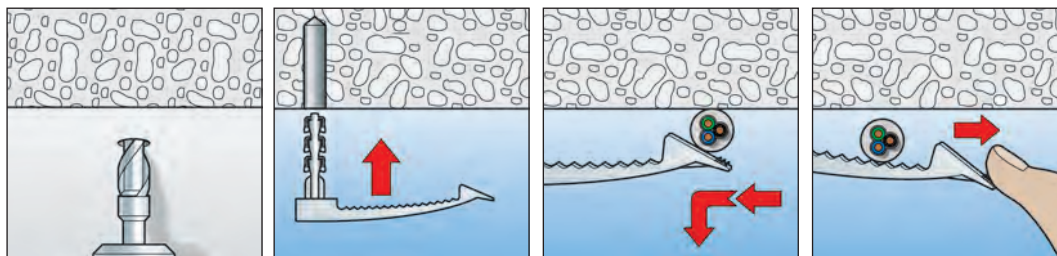
- The flat design of the KB cable clasp allows for a space-saving cable fixing, and simplifies subsequent cable-laying.
- The combination of cable clasp KB and ClipFix SD allows for one-handed installation, thus enabling a flexible and economic installation.
- The long-lasting nylon material is halogen- and silicone-free. It can be used all year round, including during a frost. This ensures a high level of safety.

APPLICATIONS

- For the fixing of several individual cables

FUNCTIONALITY

- The cable clasp KB is adapted to suit the fixture with clip fixing SD or Hammerfix N6.
- Place the ClipFix plus SD directly into the drill hole by hand. No additional screws are needed.
- The Hammerfix N is expanded when the nail is driven in, and holds by friction in the drill hole.
- After installation, the cables are pulled under the clasp. Additional cables can be easily laid after installation too.
- Temperature resistance once installed from -20 °C to +80 °C.



TECHNICAL DATA



ClipFix plus cable clasp **SF plus KB 8**



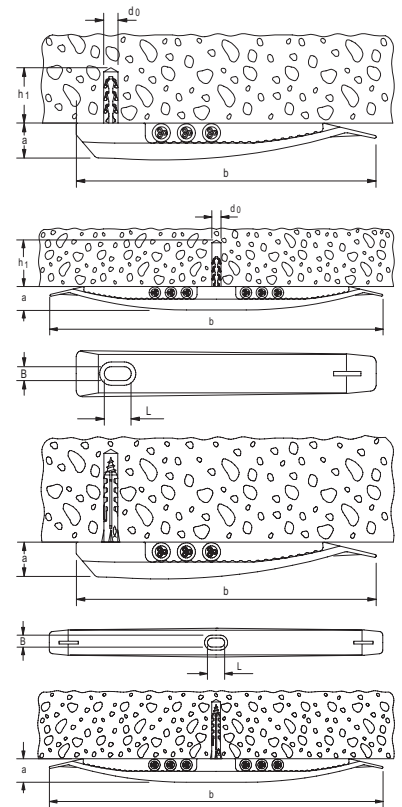
ClipFix plus cable clasp **SF plus KB 16**



Cable clasp **KB 8**

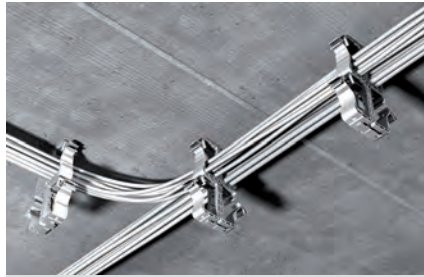


Cable clasp **KB 16**



Item	Art.-No.	Drill hole	Min. drill hole depth	Dimensions	Dimension of slot	Max. number of ducts	Sales unit
		d_0 [Ø mm]	h_1 [mm]	$a \times b$ [mm]	$B \times L$ [mm]		
SF plus KB 8	048171	6	35	15 x 133	6 x 10	8 ducts NYM 3 x 1,5	50
SF plus KB 16	048172	6	35	15 x 230	6 x 10	16 ducts NYM 3 x 1,5	25
KB 8	058135	—	—	15 x 133	6 x 10	8 ducts NYM 3 x 1,5	50
KB 16	058136	—	—	15 x 230	6 x 10	16 ducts NYM 3 x 1,5	50

The adaptable cable harness for fixing cable bundles



Fixing cable bundles



Fixing cable bundles

BUILDING MATERIALS

When using ClipFix SD:

- Concrete
- Solid pumice block
- Solid sand-lime brick
- Natural stone with dense structure
- Solid brick

CHARACTERISTICS



ADVANTAGES

- Simple bundling and economical laying of multiple electric cables.
- The seal of the cable harness SHA makes it easy to lay cables at a later date, thus ensuring high user-friendliness.
- Combining several SHA cable harnesses allows for a cost-effective fixing of cables to just one MS installation base.
- The MS installation base allows for various fixing options, and offers great flexibility for the installation.
- The long-lasting nylon material is halogen- and silicone-free, can be used all year round, including during a frost, and thus ensures a high level of safety.

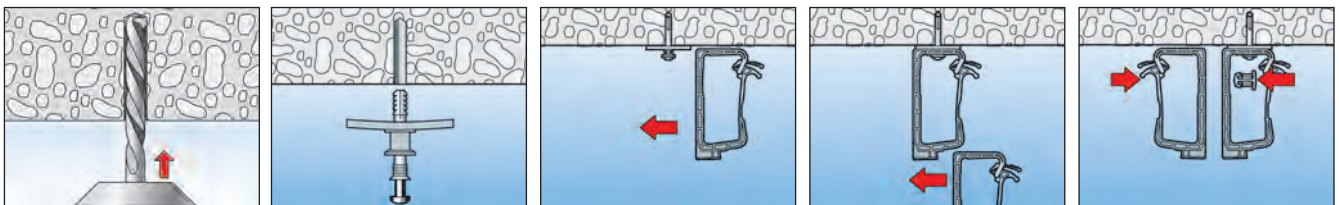
APPLICATIONS

For fixing of:

- Electric cables, loose and bundled

FUNCTIONING

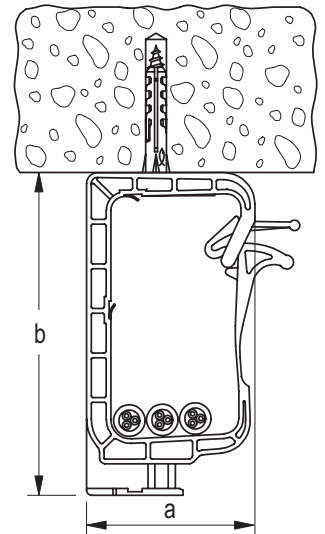
- Cable bundles can be laid in the cable harness SHA. The seal makes it easy to lay cables at a later date.
- The cable harness SHA can either be affixed with ClipFix plus, installation base MS or with plugs and screws.
- Several SHA cable harnesses can be combined below one another.
- The SHA cable harnesses can also be lined up adjacent to one another with the connection piece SHA KP.
- The maximum installation distance of 80 cm must not be exceeded.
- Temperature resistance once installed from -20 °C to +80 °C.



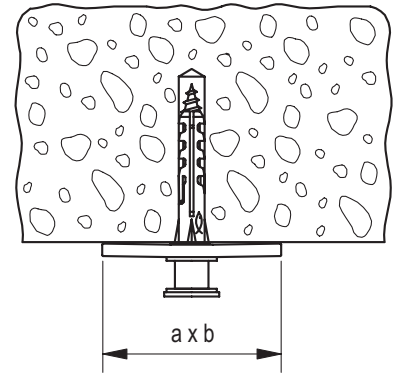
TECHNICAL DATA



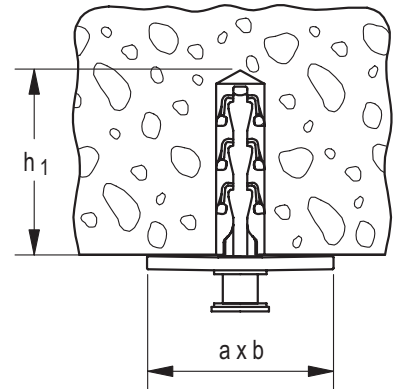
Cable harness **SHA**



Installation base **SHA MS**



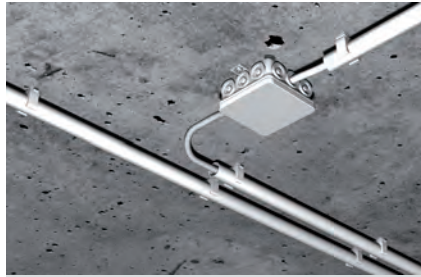
Steckfix plus installation base **SF plus MS**



Connection piece **SHA KP**

Item	Art.-No.	Drill hole d_0 [Ø mm]	Min. drill hole depth h_1 [mm]	Dimensions $a \times b$ [mm]	Max. number of ducts	Sales unit [pcs]	
SHA 15	058139	–	–	93 x 49	15 ducts NYM 3 x 1,5	50	
SHA 30	058140	–	–	128 x 59	30 ducts NYM 3 x 1,5	25	
SHA MS	058141	–	–	41 x 27	connection piece	50	
SF plus MS	048181	6	35	41 x 27	installation base with clip-plug	50	
SHA KP	058142	–	–	–	installation base	50	

The convenient pipe fixing



Fixing plastic insulating conduits



Fixing plastic insulating conduits

BUILDING MATERIALS

When using ClipFix SD:

- Concrete
- Solid pumice block
- Solid sand-lime brick
- Natural stone with dense structure
- Solid brick

CHARACTERISTICS



ADVANTAGES

- The pipe clip RC can be used with pre-installed clip fixing SD, with Hammerfix N 6 or in 11 mm C-shaped profile-rails, and thus allows for a flexible and cost-effective installation.
- The 6 mm-long hole allows for the optimal alignment of the pipe fixing and ensures a more user-friendly installation.
- Two additional pipe clips can be added to the sides of a pre-fixed pipe clip. This saves assembly time and materials.
- The long-lasting nylon material is halogen- and silicone-free. It can be used all year round, including during a frost. This ensures a high level of safety.

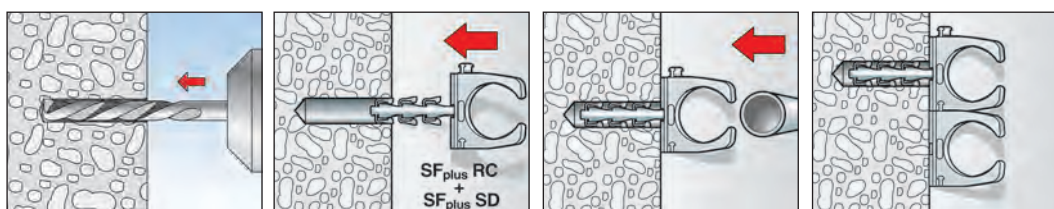
APPLICATIONS

For fixing of:

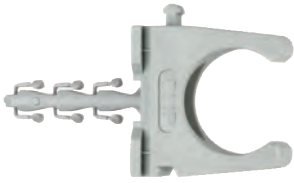
- Flexible and rigid plastic insulating pipes

FUNCTIONING

- Plastic insulation pipes are laid into the pipe clip. The pre-tensioning of the pipe clip holds the pipes securely.
- The pipe clip RC is adapted to be fixed with either clip fixing SD or Hammerfix N 6.
- Manually place the ClipFix plus SD directly into the drill hole. No additional screws are needed.
- The Hammerfix N is expanded when the nail is driven in, and holds by friction in the drill hole.
- Temperature resistance once installed from -20 °C to +80 °C.



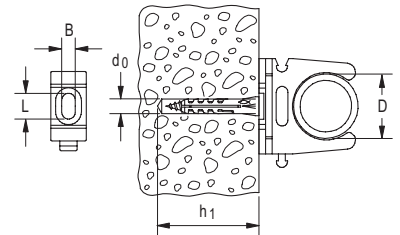
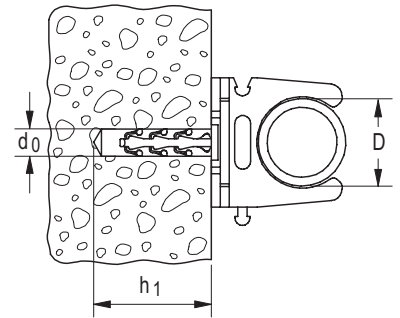
TECHNICAL DATA



Clipfix plus pipe clip **RC**



Pipe clip **RC PG**



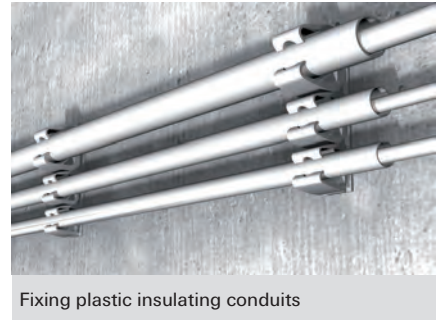
Item	Art.-No.	Drill hole	Min. drill hole depth	Suitable for IEC	Clamping range	Dimension of slot		Sales unit
		d_0 [Ø mm]	h_1 [mm]			B x L [mm]	[pcs]	
SF plus RC IEC 12	048190	6	35	12	12 - 13	6 x 7	100	
SF plus RC IEC 16	048191	6	35	16	15 - 16	6 x 8	100	
SF plus RC IEC 20	048193	6	35	20	20 - 21	6 x 10	100	
SF plus RC IEC 25	048197	6	35	25	24 - 25	6 x 10	50	
SF plus RC IEC 32	048198	6	35	32	31 - 32	6 x 10	25	
SF plus RC IEC 40	048199	6	35	40	38 - 40	6 x 10	25	
RC IEC 12	058194	–	–	12	12 - 13	6 x 7	100	
RC IEC 16	058120	–	–	16	15 - 16	6 x 8	100	
RC IEC 20	058122	–	–	20	20 - 21	6 x 10	100	
RC IEC 25	058198	–	–	25	24 - 25	6 x 10	50	
RC IEC 32	058199	–	–	32	31 - 32	6 x 10	40	
RC IEC 40	058200	–	–	40	39 - 40	6 x 10	40	
RC IEC 50	079194 ¹	–	–	50	50 - 51	6 x 10	20	
RC IEC 63	079196 ¹	–	–	63	62 - 64	6 x 10	15	

1) Does not include latching catches, therefore cannot be mounted side by side.

The flexible pipe clip for various diameters



Cable fixing



Fixing plastic insulating conduits

BUILDING MATERIALS

When using Hammerfix N:

- Concrete
- Vertically perforated brick
- Hollow blocks made from lightweight concrete
- Perforated sand-lime brick
- Solid sand-lime brick
- Building brick
- Natural stone
- Aerated concrete
- Solid panel made from gypsum
- Solid brick made from lightweight concrete

CHARACTERISTICS



6 Electrical fixings

ADVANTAGES

- The flexible pipe clip socket ensures a secure hold for various cable and pipe diameters, and reduces the number of products required.
- The pipe clip FC can be installed with both N 5 Hammerfixes and 11 mm-C-shaped profile-rails, and thus offers great flexibility.
- Two additional pipe clips can be added to the sides of a pre-fixed clip clamp. This saves assembly time and materials.
- The long-lasting nylon material is halogen-free. It can be used all year round, including during a frost. This ensures a high level of safety.

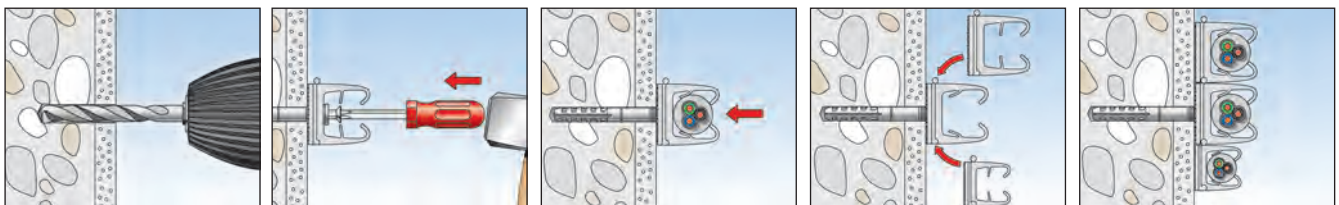
APPLICATIONS

For fixing of:

- Electric cables
- Flexible and rigid plastic insulating pipes

FUNCTIONALITY

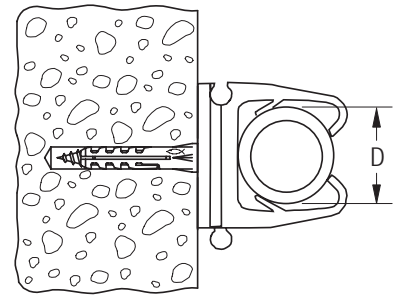
- The clip clamp FC is adapted to suit the fixture using N5 Hammerfixes.
- The Hammerfix N is expanded when the nail is driven in, and holds by friction in the drill hole.
- The cables or pipes are then laid in the clip clamp FC. The pre-tensioning of the clip clamp holds the cables or pipes securely.
- Temperature resistance once installed from -40 °C to +80 °C.



TECHNICAL DATA



Pipe clip **FC**

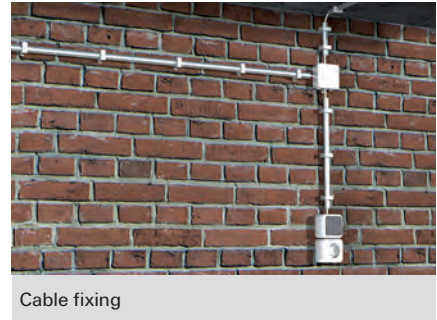


Item	Art.-No.	Clamping range	Sales unit					
		D [mm]	[pcs]					
FC 6 - 9 GR	068060	6 - 9	100					
FC 9 - 12 GR	068062	9 - 12	100					
FC 12 - 16 GR	068064	12 - 16	50					
FC 16 - 20 GR	068066	16 - 20	25					

The flexible cable clamp for various diameters



Fixing cable harnesses



Cable fixing

BUILDING MATERIALS

When using Hammerfix N:

- Concrete
- Vertically perforated brick
- Hollow blocks made from lightweight concrete
- Perforated sand-lime brick
- Solid sand-lime brick
- Building brick
- Natural stone
- Aerated concrete
- Solid panel made from gypsum
- Solid brick made from lightweight concrete

CHARACTERISTICS



ADVANTAGES

- With its elastic spring tabs, the saddle clip SCH can bear different cable diameters. This increases flexibility and reduces the number of products required.
- Additional clips can be added to the sides of a pre-fixed clip. This saves installation time and materials.
- The long-lasting nylon material is halogen- and silicone-free. It can be used all year round, including during a frost. This ensures a high level of safety.

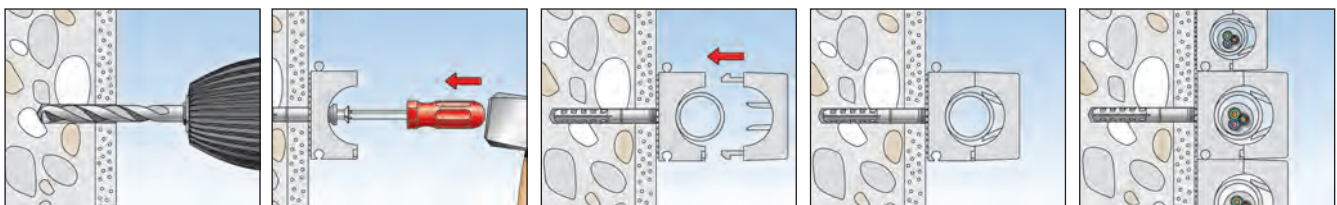
APPLICATIONS

For fixing of:

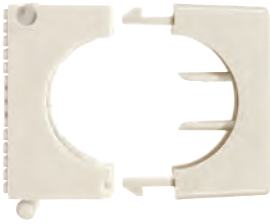
- Electric cables
- Flexible and rigid plastic insulating pipes

FUNCTIONALITY

- The clamp SCH is adapted to suit the fixture using N 5 Hammerfixes.
- The Hammerfix N is expanded when the nail is driven in, and holds by friction in the drill hole.
- The cables or pipes are then laid in the clamp SCH and fixed by inserting the locking latch.
- The internal tabs adapt to fit various cable or pipe diameters.
- Temperature resistance once installed from -40 °C to +80 °C.



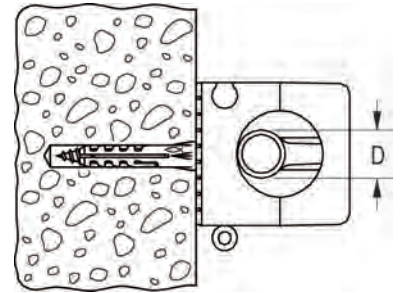
TECHNICAL DATA



Saddle **SCH**, colour: Nylon transparent



Saddle **SCH**, colour: grey RAL 7035



Item	Art.-No.		Clamping range D [mm]	Dimension of insulated pipes	Sales unit [pcs]	
	Grey RAL 7035	Nylon trans- parent				
SCH 812	068012	060012	8 - 12	6 x 1 - 8 x 1	100	
SCH 1216	068016	060016	12 - 16	10 x 1 - 12 x 1	50	
SCH 1619	068019	060019	16 - 19	—	50	
SCH 1623	068023	060023	16 - 23	15 x 1 - 18 x 1	50	
SCH 2332	068032	060032	23 - 32	22 x 1 - 22 x 1,5	25	
SCH 3242	—	060042	32 - 42	22 x 1 - 22 x 1,5	25	

The fast fixing for electric cables



BUILDING MATERIALS

- Hardboard
- Wood
- Aerated concrete
- Chipboard
- Plywood
- Solid gypsum panels and other plastered substrates

ADVANTAGES

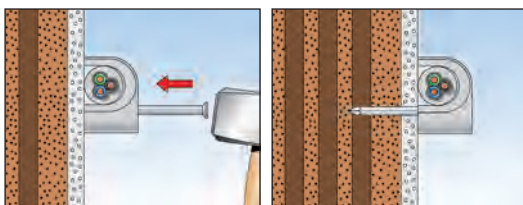
- The nail clip features a pre-assembled zinc-plated nail, allowing for a fast fixing, thus reducing assembly time.
- The small space required for fixing simplifies installation in narrow spaces.
- The nail clip MNS covers cable diameters from 4 mm to 14 mm with just 3 sizes.

APPLICATIONS

- To fix single electric cables with varying diameters

FUNCTIONING

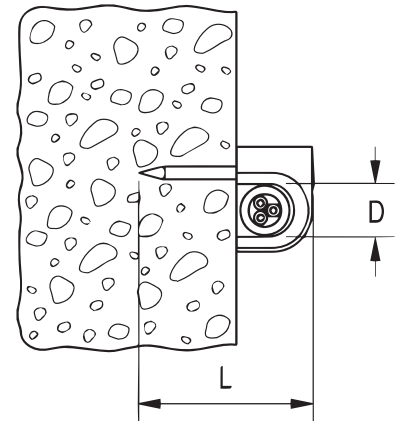
- Position the nail clip with the laid cable. Hammer in the pre-assembled nail with a hammer.



TECHNICAL DATA



Nail clip **NS**



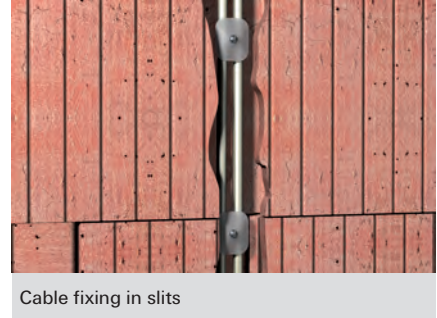
Nail clip **MNS**

Item	Art.-No.	For cable	Clamping range	Length of nail	Sales unit			
		[Ø mm]	D [mm]	L [mm]	[pcs]			
NS 7	058173	7	7	25	100			
NS 8	058174	8	8	25	100			
NS 9	058175	9	9	25	100			
NS 10	058176	10	10	30	100			
NS 12	058177	12	12	35	100			
MNS 4-7	094673	–	4 - 7	25	100			
MNS 7-11	094674	–	7 - 11	25	100			
MNS 10-14	094675	–	10 - 14	30	100			

The secure cable fixing in wall slots



Cable fixing



Cable fixing in slits

BUILDING MATERIALS

- Vertically perforated brick
- Pumice
- Lightweight aggregate concrete
- Aerated concrete
- Hardboard
- Wood
- Chipboard
- Plywood
- Solid panel made from gypsum

ADVANTAGES

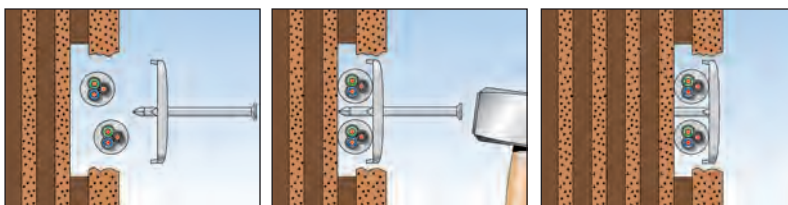
- The nail disc NSB allows for use in two slot widths.
- The vaulted structure of the nail disc ensures an optimal contact pressure and, as such, for a secure hold.
- The flat nail disc only protrudes slightly, and can thus be easily plastered over.
- The nail disc NSB is made from high-strength polypropylene. The nail is made from hardened, galvanized steel. The tried and tested material combination for in-wall installation.

APPLICATIONS

- For fixing cables in wall slots

FUNCTIONALITY

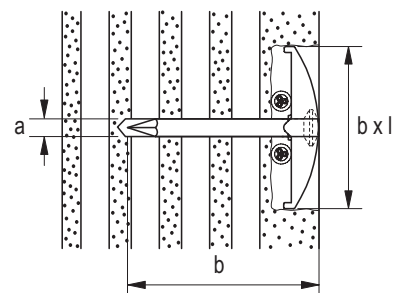
- Remove cable.
- Align the nail disc with either dimensions 27 mm or 34 mm, depending on the slot width, and hit the nail in with a hammer.
- The cables are fixed in the wall slots by the curved washer.



TECHNICAL DATA



Nail disc **NSB**



Item	Art.-No.	Dimension of nail	Dimension of disc	Sales unit				
		a x b [mm]	b x l [mm]	[pcs]				
NSB 2/40	048308	2 x 40	27 x 34	200				
NSB 2/50	048309	2 x 50	27 x 34	150				
NSB 2/60	048310	2 x 60	27 x 34	100				
NSB 3/40	048311	3 x 40	27 x 34	150				
NSB 3/50	048312	3 x 50	27 x 34	150				
NSB 3/60	048313	3 x 60	27 x 34	100				

The installation-friendly metal spacing disc for cables and pipes



Fixing steel armoured conduits



Fixing conduits

BUILDING MATERIALS

When using nail anchor FNA II:

- Concrete
- Solid sand-lime brick
- Natural stone with dense structure
- Pre-stressed concrete hollow slabs

When using Hammerfix N:

- Concrete
- Solid sand-lime brick
- Building brick
- Natural stone
- Solid brick made from lightweight concrete

ADVANTAGES

- The fast-locking latch ensures easy opening and closing without completely removing the screw, and allows for a simple and fast installation.
- The pre-fitted combination screw with conventional slotted or recessed screw head allows for the use of different screwdrivers, thus allowing for a simple installation.

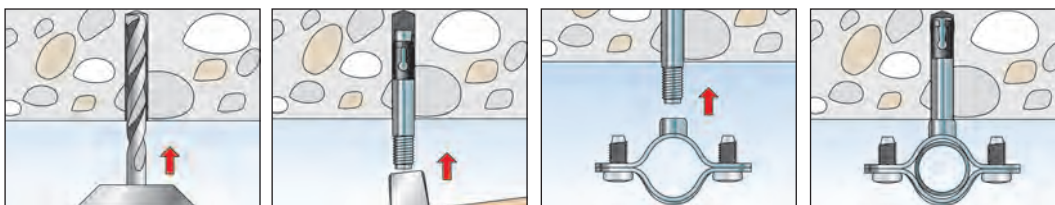
APPLICATIONS

For fixing of:

- Steel conduits
- Electric cables
- Copper and metal pipes

FUNCTIONING

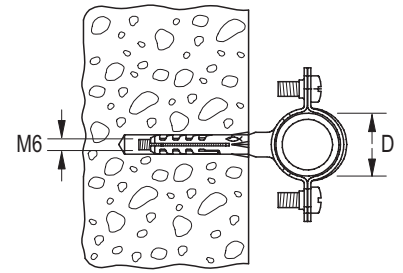
- The spacer clamp AM with M6 thread can either be affixed with fischer nail anchor FNA II 6x30 M6x43, stud screw STST 6x60 and STST 6x80 or with Hammerfix N 6x40/10 M6.



TECHNICAL DATA

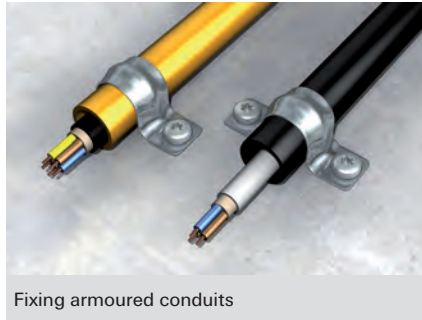


Metal two-piece pipe clamp **AM**

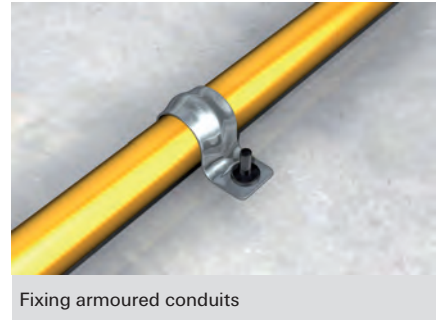


Item	Art.-No.	Dimension IEC	Clamping range D [mm]	Sales unit [pcs]				
AM 8	060185	–	8 - 10	50				
AM 10	060186	–	10 - 11	50				
AM 12	060187	12	12 - 13	50				
AM 14	060188	–	14 - 15	50				
AM 16	060189	16	15 - 17	50				
AM 18	060190	–	18 - 19	50				
AM 20	060191	20	20 - 21	50				
AM 22	060192	–	22 - 23	50				
AM 24	060193	–	24 - 25	50				
AM 26	060194	25	26 - 27	50				
AM 28	060195	–	28 - 29	50				
AM 30	060196	–	30 - 31	50				
AM 32	060209	32	32 - 33	25				
AM 34	060210	–	34 - 35	25				
AM 37	060211	37	37 - 39	20				
AM 40	090849	40	40 - 42	15				
AM 50	090850	50	50 - 52	10				
AM 63	090851	63	63 - 65	10				

The flat metal clip for cables and pipes



Fixing armoured conduits



Fixing armoured conduits

BUILDING MATERIALS

When using impact nail ED:

- Concrete

ADVANTAGES

- The open conduit clip BSM is ideal for the post-installation fixing of conduits.
- The conduit clip allows for a direct fixing with impact nails and is, therefore, quick and easy to install.
- Two conduits or pipes can be fixed with just one fixing point with the twin clamp BSMZ.

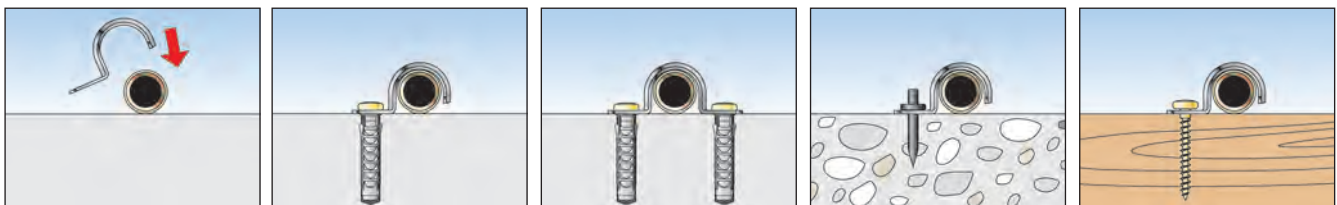
APPLICATIONS

For fixing of:

- Electrical conduits
- Flexible and rigid plastic insulating pipes
- Steel conduits

FUNCTIONING

- Depending on your requirements, use a conduit clip with 1 or 2 fixing points, or a twin clamp.
- The conduits or pipes are laid in the conduit clip. Assembling the clip fixes the conduits / pipes.
- Our recommendation for fixtures on concrete (not older than 6 months): Impact nail.



TECHNICAL DATA



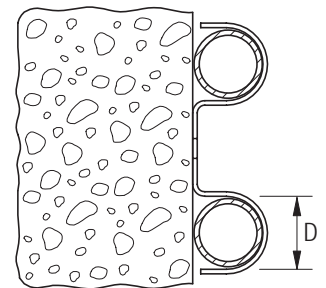
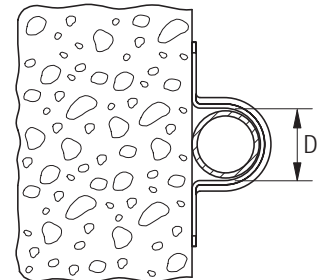
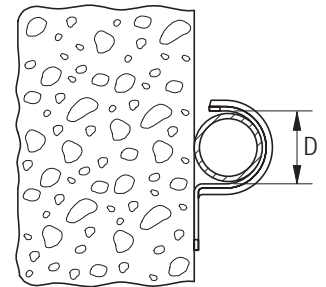
Conduit clip **BSM**



Conduit clip **BSMD**

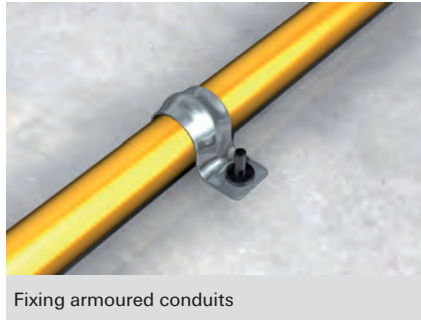


Conduit clip **BSMZ**

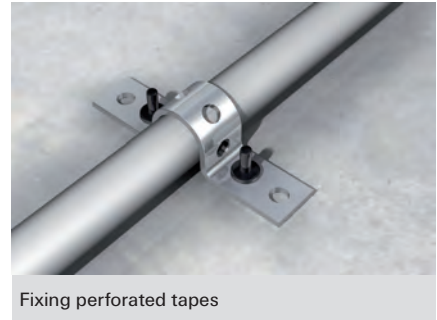


Item	Art.-No.			Dimension IEC	Clamping range D [mm]	Sales unit [pcs]	
	BSM	BSMD	BSMZ				
6	015014	—	—	—	6	100	
8	015015	—	—	—	8	100	
10	015016	—	—	—	10	100	
10	—	015068	—	—	10	50	
12	015017	015069	—	—	12	50	
14	015018	015070	—	—	14	50	
15	015093	—	—	15	15	50	
16	060149	060169	—	16	16	50	
18	060150	060170	—	—	18	50	
20	060151	060171	079535	20	20	50	
22	060152	060172	—	—	22	50	
24	060153	—	079536	—	24	50	
25	090839	090844	—	25	25	50	
26	096958	015076	—	—	26	50	
28	—	060175	—	—	28	25	
28	060155	—	079537	—	28	50	
30	015019	—	—	—	30	50	
32	090840	—	—	32	32	50	
32	—	090845	—	32	32	25	
37	060158	060178	—	—	37	25	
40	090841	090846	—	40	40	25	
42	—	015081	—	—	42	20	
42	015021	—	—	—	42	25	
47	—	015082	—	—	47	20	
50	090842	—	—	50	50	20	
50	—	090847	—	50	50	15	
63	—	090848	—	63	63	10	
63	090843	—	—	63	63	15	

Fixing in concrete without pre-drilling



Fixing armoured conduits



Fixing perforated tapes

BUILDING MATERIALS

- Fresh concrete (not older than 6 months)

ADVANTAGES

- The stable impact nail ED can be set in concrete with the impact nail setting tool SZE without pre-drilling. This allows for a fast installation.
- The setting tool SZE impact protection provides the best protection for your hand, thus ensuring a safe installation.

APPLICATIONS

For fixing of:

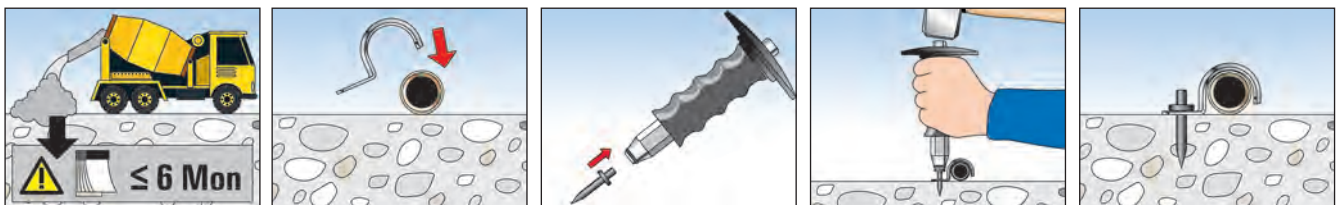
- Conduit clips such as BSM, BSMD, BSMZ
- Perforated band such as LBK, LBV

FUNCTIONALITY

- The impact nail ED is set in the setting tool SZE.
- The bracket in the setting tool holds the nail securely in place during the installation procedure.
- Pre-positioning of the element to be fixed.
- The nail can be hammered through the fixing element directly into the concrete (not older than 6 months).

6

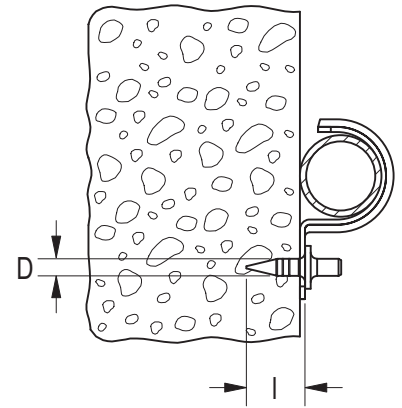
Electrical fixings



TECHNICAL DATA



Impact nail ED



Item	Art.-No.	Length	Diameter	Sales unit				
		l [mm]	d [mm]	[pcs]				
ED 15	048212	15	4.0	200				
ED 18	079815	18	4.0	200				
ED 22	014570	22	4.0	200				

TECHNICAL DATA



Impact nail setting tool SZE



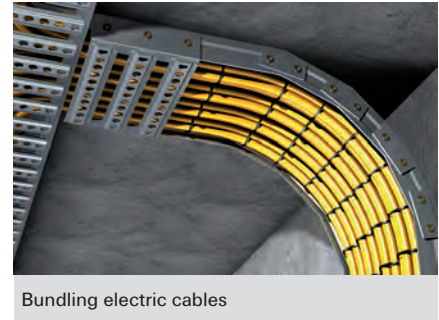
Toolset for SZE

Item	Art.-No.	Sales unit						
		[pcs]						
SZE	079820	1						
Toolset for SZE	043365	4						

For the simple bundling of cables and pipes



Cable fixing



Bundling electric cables

CHARACTERISTICS



6

ADVANTAGES

- The long-lasting nylon material is halogen- and silicone-free.
- The cable tie UBN (black) is made from UV-stabilised material.

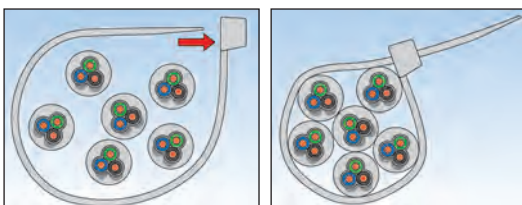
APPLICATIONS

For bundling of:

- Electric cables
- Flexible and rigid plastic insulating pipes
- Steel conduits

FUNCTIONING

- Lie the cable tie around the object to be fixed, and pull the band through the head of the cable tie. The cable tie can no longer be opened due to the latching of the tab in the teeth.
- Temperature resistance once installed from -10 °C to +85 °C.
- Recommended installation temperature from -10 °C to +85 °C.

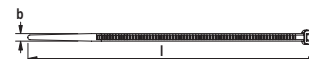


TECHNICAL DATA

 Cable tie **BN**, colour: transparent

 Cable tie **UBN**, colour: black

 Cable tie **GBN**, colour: green



Item	Art.-No.			Dimensions [mm]	Bundle diameter [mm]	Sales unit [pcs]	Outer carton [pcs]
	Colour: black	Colour: transparent	Colour: green				
BN/UBN/GBN 2,5 x 100	087488	087478	543924	2,5 x 100	max. 20	100	20000
BN/UBN 2,5 x 120	087489	087479	—	2,5 x 120	max. 27	100	15000
GBN 2,5 x 150	—	—	543925	2,5 x 150	max. 36	100	20000
BN/UBN/GBN 2,5 x 200	087490	087480	543926	2,5 x 200	max. 52	100	10000
BN/UBN 2,5 x 160	069363	037489	—	2,5 x 160	max. 39	100	20000
BN/UBN/GBN 3,6 x 150	087491	087481	543927	3,6 x 150	max. 36	100	10000
BN/UBN 3,6 x 200	037573	019802	—	3,6 x 200	max. 52	100	10000
BN/UBN 3,6 x 300	069364	037490	—	3,6 x 300	max. 84	100	7500
BN/UBN 4,6 x 160	069365	037501	—	4,6 x 160	max. 36	100	10000
BN/UBN 4,6 x 190	069366	037581	—	4,6 x 190	max. 46	100	10000
BN/UBN/GBN 4,6 x 200	087494	087484	543928	4,6 x 200	max. 49	100	7500
BN/UBN 4,8 x 250	069367	—	—	4,8 x 250	max. 65	100	5000
BN/UBN 4,8 x 250	—	037582	—	4,8 x 250	max. 65	100	5000
BN/UBN/GBN 4,8 x 280	087495	087485	543929	4,8 x 280	max. 74	100	5000
BN/UBN 4,8 x 350	069368	037653	—	4,8 x 350	max. 97	100	5000
BN/UBN 4,8 x 370	069369	037583	—	4,8 x 370	max. 103	100	5000
BN/UBN 4,8 x 430	069370	037708	—	4,8 x 430	max. 122	100	5000
BN/UBN 7,6 x 200	069372	037945	—	7,6 x 200	max. 50	100	4500
BN/UBN 7,8 x 300	069373	037949	—	7,6 x 300	max. 82	100	2500
BN/UBN 7,6 x 350	087497	087487	—	7,6 x 350	max. 98	100	2500
BN/UBN 7,6 x 450	069374	037996	—	7,6 x 450	max. 130	100	2500
BN/UBN 7,6 x 550	069375	037997	—	7,6 x 550	max. 162	100	2000
BN/UBN 8,8 x 760	069376	037998	—	8,8 x 760	max. 229	100	1000
BN/UBN 8,8 x 810	069377	038000	—	8,8 x 810	max. 245	100	1000
BN/UBN 8,8 x 1168	069379	038002	—	8,8 x 1168	max. 340	100	500

Infinitely variable fixing of wire suspensions



Suspension of signs



Suspensions for trade show exhibits

ADVANTAGES

- The simple system guarantees ease of use.
- The Wireclip's simple closing mechanism means that no tools are needed. This allows for a cost-effective installation.
- The reclosable Wireclips make it possible to adjust the length at any time. This guarantees the greatest flexibility.

APPLICATIONS

For suspension of:

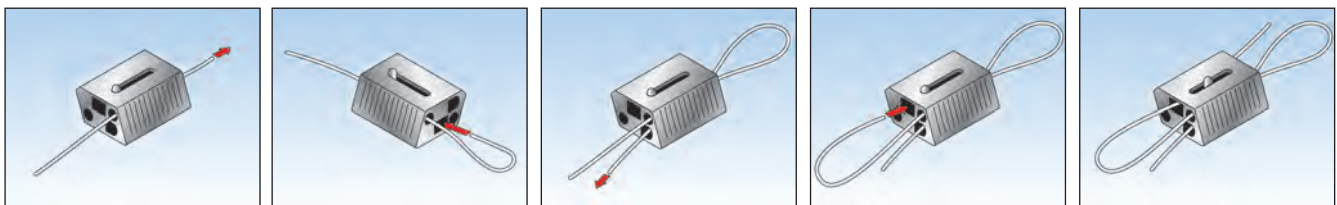
- Lighting strips
- Cable trays
- Ventilation ducts
- Pipes
- Signs
- Chilled ceilings

FUNCTIONALITY

- Loops are formed from the wire, which can be threaded through the wireclip. This allows objects to be hung. The wireclips can be adjusted at any time.
- The FNA II 6x25 OE is suitable for fixing the wire.

Note:

- Do not apply paint or any other coating.
- Do not apply lubricant.
- Do not use for lifting loads.
- Remove damaged wire ends using the wire cutter WIZ prior to introducing wires into the wire clip.



TECHNICAL DATA



WIC 2

WIC 3

WIC 4

Item	Art.-No.	Wire-Ø [mm]	Sales unit [pcs]				
WIC 2 VE20	044559	2 - 2,5	20				
WIC 3 VE20	044561	2,5 - 3,5	20				
WIC 2 VE100	044560	2 - 2,5	100				
WIC 4 VE50	044564	3 - 4	50				

TECHNICAL DATA



WIS cable set with eyelet

Wire cutter WIZ

Item	Art.-No.	Cable length [m]	Wire-Ø [mm]	Sales unit [pcs]			
WIS 2/1	045956	1	2	10			
WIS 2/2	045957	2	2	10			
WIS 2/3	045958	3	2	10			
WIS 2/5	045959	5	2	10			
WIS 2/10	045960	10	2	10			
W1 Ø 2 mm	044565 ¹⁾	200	2	1			
WIZ	044721	–	–	1			

¹⁾ on a roll

LOADS

Wireclip

Highest recommended loads¹⁾ per Wireclip




Type	Diameter of wire cable	Recommended tensile load
	[mm]	[kN]
WIS complete system	2,0	0,5
WIC 2 ²⁾	2,0	0,6
WIC 2 ²⁾	2,5	1,0
WIC 3 ²⁾	3,0	1,2
WIC 4 ²⁾	4,0	2,3

¹⁾ Required safety factors are considered.

²⁾ Only in combination with fischer wire cable.



7 Sanitary fixings

		Page
Sanitary fixings for board materials		290
Ceramic fixings		292
Wash basin and urinal fixings		294

Complete fixing sets for wash basins and urinals in board building materials and plumbing walls



BUILDING MATERIALS

- Gypsum plasterboard and gypsum fibreboards
- Chipboard

ADVANTAGES

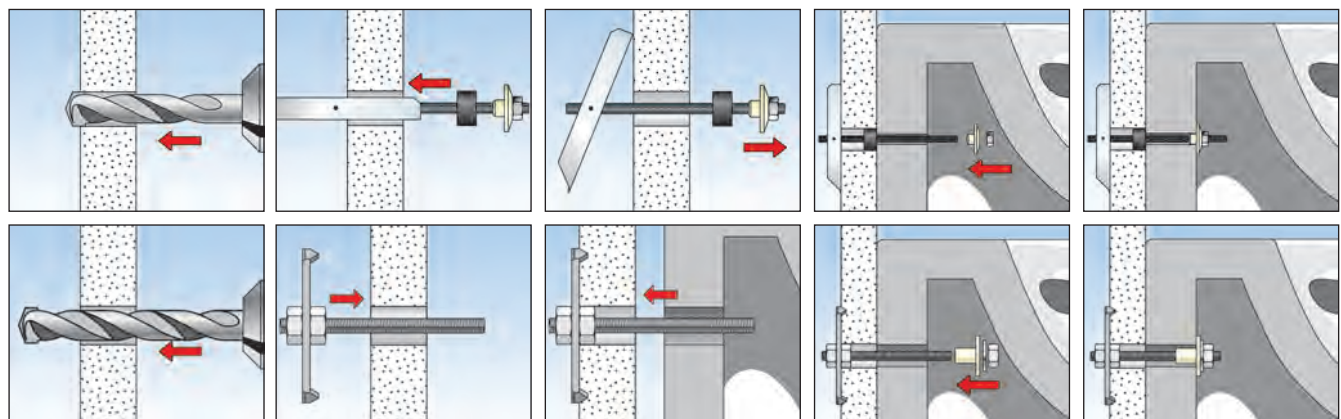
- With their special geometries, KM and WDP are the specialists for fixings in plumbing and hollow walls.
- The wide transition beams of the KM and the large base plate of the WDP ensure a good load distribution, thus allowing for a high load-bearing capacity.

APPLICATIONS

- Wash basins
- Urinals

FUNCTIONING

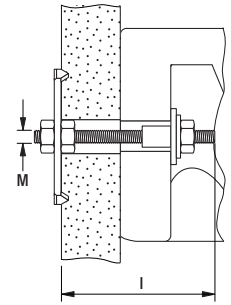
- KM is suitable for push-through installation.
- When placed in the drill hole, the wide transition beam of the KM independently swings open behind the board.
- WDP is set into the plumbing walls during wall installation.



TECHNICAL DATA

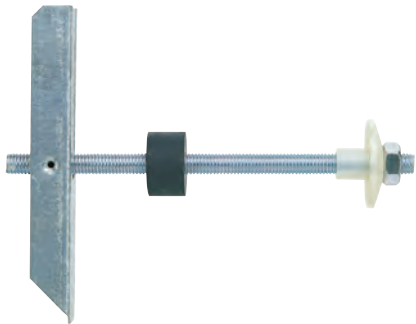


Wash basin and urinal fixing **WDP**

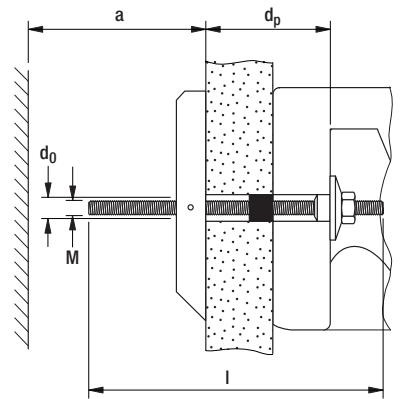


Item	Art.-No.	Contents per plastic bag	Sales unit
		[pcs]	[pcs]
WDP 10 x 170	014320	2 Threaded rods M10 x 170 with base plate 60x60x3, 2 flanged bushes BDH M10, 2 hexagon nuts M10 zinc-plated	10

TECHNICAL DATA



Gravity toggle **KM 10**

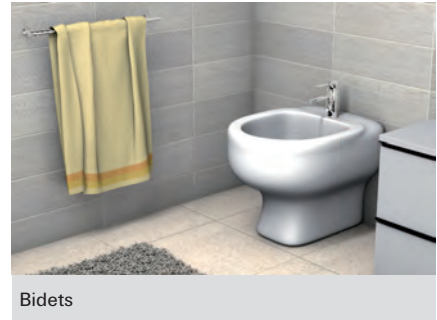


Item	Art.-No.	Drill hole diameter	Anchor length	Min. cavity depth	Max. panel thickness	Screw	Sales unit
		d_0 [mm]	l [mm]	a [mm]	d_p [mm]	$d_s \times l_s$ [mm]	[pcs]
KM 10	050326	30	180	140	90	M 10 x 180	25

Complete fixing sets for free-standing toilets and bidets



Free-standing toilets



Bidets

BUILDING MATERIALS

- Concrete
- Solid sand-lime brick
- Natural stone with dense structure
- Solid brick made from lightweight concrete
- Solid brick

CHARACTERISTICS



ADVANTAGES

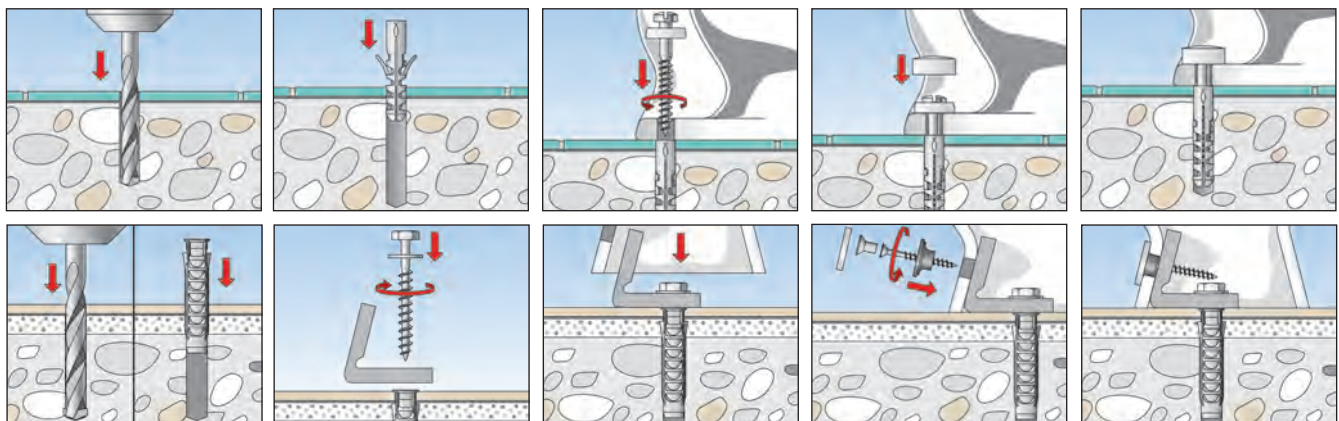
- Complete fixing sets including brass screws allow for quick and easy installation.
- A pronounced rim prevents contact between the screw and ceramics, thus ensuring nothing gets damaged during fixing.
- The WB5N's assembly bracket with pre-drilled rows of holes allows for a flexible fixing with two directions.
- The WCN is also suitable for fixing ceramic shelves and mirrors, and can thus be used for a wide range of applications.

APPLICATIONS

- Free-standing toilets
- Bidets
- Ceramic shelves
- Mirrors

FUNCTIONING

- S 8 RD is suitable for push-through installation.
- WCN and S 8 D are suitable for both pre-positioned and push-through installation.
- The WB5N's assembly bracket is flexibly positioned on the base using the long hole. The ceramics are then fixed to the bracket via the rows of holes. These counterbalance any height differences in the ceramic assembly holes.



TECHNICAL DATA



Item	Art.-No.	Contents per plastic bag [pcs]	Sales unit [pcs]
WCN 1	060561	2 wall plugs S 8, 2 brass screws 6 x 70 hex., 2 cover caps white, 2 snap-fit sleeves	50
WCN 2	060562	2 wall plugs S 8, 2 brass screws 6 x 70 hex., 2 cover caps chrome, 2 snap-fit sleeves	50

TECHNICAL DATA



Item	Art.-No.	Contents per plastic bag [pcs]	Sales unit [pcs]
S 8 D 70 WCR	060564	2 wall plugs S 8, 2 brass screws 6 x 70 hex., 2 cover caps chrome and white, 2 snap-fit sleeves	50

TECHNICAL DATA



Item	Art.-No.	Contents per plastic bag [pcs]	Sales unit [pcs]
S 8 RD 60 WCR	060570	2 wall plugs S 8 RD 60, 2 brass screws 6 x 65 hex., 2 cover caps chrome and white	50
S 8 RD 80 WCR	060568	2 wall plugs S 8 RD 80, 2 brass screws 6 x 85 hex., 2 cover caps chrome and white	50

TECHNICAL DATA



WC fixing **WB 5N**

Item	Art.-No.	Contents	Sales unit [pcs]
WB 5N	018652	2 S plugs SX 10, 2 Screws 7x65 zinc-plated, 2 Nylon angles, 2 washers 8mm, 2 screws A2 stainless steel, 2 flanged sleeves, 2 cover caps chrom	50

Complete fixing sets for wash basins, urinals and sanitary installations



Urinals



Wash basins

BUILDING MATERIALS

- Concrete
- Vertically perforated brick
- Hollow blocks made from lightweight concrete
- Perforated sand-lime brick
- Solid sand-lime brick
- Natural stone
- Aerated concrete
- Solid panel made from gypsum
- Solid brick made from lightweight concrete
- Solid brick

CHARACTERISTICS



7

ADVANTAGES

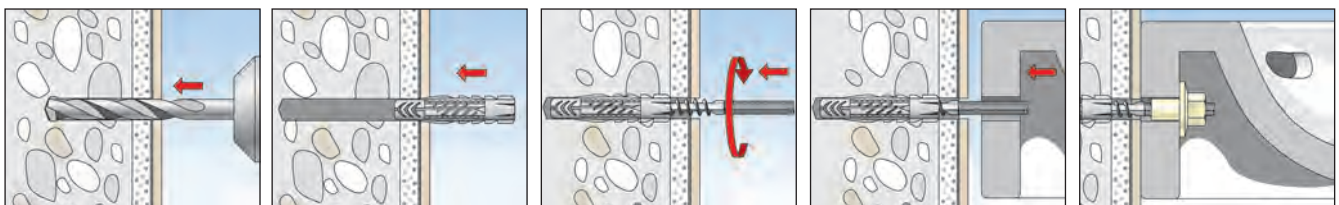
- Complete fixing sets allow for quick and easy installation.
- The universal plug UX can be used in solid and hollow materials, thus offering a high level of flexibility.
- Flanged nuts and collar sleeves made of high-strength nylon are resistant to ageing and chemicals, and guarantee a long-lasting fixing that will not damage the ceramics.
- Cover caps with a high-quality chrome finish ensure the fixture remains visually attractive for a long period of time.

APPLICATIONS

- Wash basins
- Urinals
- Built-in toilets
- Boilers
- Gas heaters
- Cisterns
- Consoles

FUNCTIONING

- The rimless UX is suitable for pre-positioned and push-through installation.
- Screwing in the screw causes the UX to expand in solid and hollow building material.
- Maximum load-bearing capacity is only achieved when the minimum screw-in depth is reached.
- Tiles and plaster are not classed as load-bearing base materials.



TECHNICAL DATA



Wash basin and urinal fixing **WD**

Item	Art.-No.	Contents per plastic bag	Sales unit
		[pcs]	[pcs]
WD 8 x 90	080659	2 wall plugs UX 10 x 60, 2 stud screws M8 x 90 zinc-plated, 2 flanged nuts BU M8	50
WD 8 x 110	080658	2 wall plugs UX 10 x 60, 2 stud screws M8 x 110 zinc-plated, 2 flanged nuts BU M8	50
WD 10 x 120	080655	2 wall plugs UX 14 x 75, 2 stud screws M10 x 120 zinc-plated, 2 flanged nuts BU M10 MH	50
WD 10 x 140	080656	2 wall plugs UX 14 x 75, 2 stud screws M10 x 140 zinc-plated, 2 flanged nuts BU M10 MH	50

TECHNICAL DATA



Boiler fixing **BO**

Item	Art.-No.	Contents per plastic bag	Sales unit
		[pcs]	[pcs]
BO 120	080654	4 wall plugs UX 14 x 75, 4 stud screws M10 x 120 zinc-plated, 4 flanged nuts BU M10	25

TECHNICAL DATA



Washbasin fixing **WST**

Item	Art.-No.	Contents per plastic bag	Sales unit
		[pcs]	[pcs]
WST 10 x 140	080660	2 wall plugs UX 14 x 75, 2 stud screws M10 x 140 zinc-plated, 2 hexagon nuts M10 zinc-plated, 2 flanged bushes BDH M10	50
WST 12 x 150	080661	2 wall plugs UX 14 x 75, 2 stud screws M12 x 150 zinc-plated, 2 hexagon nuts M12 zinc-plated, 2 flanged bushes BDH M12	50
WST 12 x 180	080662	2 wall plugs UX 14 x 75, 2 stud screws M12 x 180 zinc-plated, 2 hexagon nuts M12 zinc-plated, 2 flanged bushes BDH M12	50

TECHNICAL DATA



Urinal fixing **UST 8 x 110**



Urinal fixing **UST 10 x 120**

Item	Art.-No.	Contents per plastic bag	Sales unit
		[pcs]	[pcs]
UST 8 x 110	083578	2 wall plugs UX 10 x 60, 2 stud screws M8 x 110, 2 washers B 8.4 DIN 125, 2 plastic washer 8,4 x 16 x 1,6, 2 cap nuts FA 8, 2 cover caps chrome plated	50
UST 10 x 120	080668	2 wall plugs UX 14 x 75, 2 stud screws M10 x 120, 2 flanged nuts BU M10, 2 cover caps AKM 10 CR	10

TECHNICAL DATA



Sanitary fixing **WL**

Item	Art.-No.	Contents per plastic bag	Sales unit
		[pcs]	[pcs]
WL 7 x 60	080651	2 plugs S 10, 2 screws 7 x 65 hex. head zinc-plated, 2 washers zinc-plated	100
WL 8 x 70	080652	2 plugs S 10, 2 screws 8 x 70 hex. DIN 571 zinc-plated, 2 washers zinc-plated	100
WL 10 x 80	080650	2 plugs S 12, 2 screws 10 x 80 hex. DIN 571 zinc-plated, 2 washers zinc-plated	50

ACCESSORIES



Flanged nut **BUM**

Item	Art.-No.	Thread	Width across nut	Washer	Match	Sales unit
		M	○ SW [mm]	[mm]		[pcs]
BU M8 MH	060200	M 8	17	40	STS M8	25
BU M10 MH	060201	M 10	17	40	STS M10	25
BU M12 MH	060204	M 12	19	40	STS M12	25

ACCESSORIES



Cover cap **AKM**

Item	Art.-No.	Colour	Match	Sales unit
				[pcs]
AKM 10 W	080972	white	BU M10 MH	20
AKM 10 CR	080951	chrome	BU M10 MH	100
AKM 12 CR	080952	chrome	BU M12 MH	100

ACCESSORIES



Installation tool **HED**

Item	Art.-No.	Match	Sales unit
			[pcs]
HED	079831	M6, M8, M10, M12	1

INSTALLATION DATA

Item	Art.-No.	Drill diameter	Min. drill hole depth	Usable length (with assembled flanged nut)	Min. bolt penetration
		d_0 [mm]	h_1 [mm]	t_{fix} [mm]	$l_{E,min}$ [mm]
WD 8 x 90	080659	10	75	5	68
WD 8 x 110	080658	10	75	25	68
WD 10 x 120	080655	14	95	18	85
WD 10 x 140	080656	14	95	38	85
BO 120	080654	14	95	18	85
WST 10 x 140	080660	14	95	38	85
WST 12 x 150	080661	14	95	48	85
WST 12 x 180	080662	14	95	78	85
UST 8 x 110	083578	10	75	32	68
UST 10 x 120	080668	14	95	18	85
WL 7 x 60	080651	10	70	10	57
WL 8 x 70	080652	10	70	12	58
WL 10 x 80	080650	12	80	10	70

LOADS

Washbasin and urinal fixings

Highest recommended loads¹⁾ for a single anchor.

The given loads are valid for stud screws with the specified diameter.

Type	Screw diameter \emptyset [mm]	WD 8x90	WD 10x120	WST 10x140	WST 12x150	UST 8x110	UST 10x120	WL 7x60	WL 8x70	WL 10x80
		WD 8x110	WD 10x140	BO 120	WST 12x180					
Screw diameter	\emptyset [mm]	8	10	10	12	8	10	7	8	10
Recommended loads in the respective base material F_{rec}²⁾										
Concrete $\geq C20/25$	[kN]	0,90	0,90	0,90	1,80	0,90	0,90	1,10	1,10	1,50
Solid brick $\geq Mz 12$	[kN]	0,50	0,50	0,50	0,80	0,50	0,50	- ³⁾	- ³⁾	- ³⁾
Perforated sand-lime brick $\geq KSL 12$	[kN]	0,40	0,40	0,40	0,80	0,40	0,40	-	-	-
Vertically perforated brick $\geq Hlz 12$	[kN]	0,20	0,30	0,30	0,40	0,20	0,30	-	-	-
Aerated concrete $\geq PB 4, PP 4 (G4)$	[kN]	0,30	0,30	0,30	0,70	0,30	0,30	0,16	0,16	0,28





























¹⁾ Required safety factors are considered.

²⁾ Valid for tensile load, shear load and oblique load under any angle.







³⁾ Due to that the failure of the substrate varies too much no reproducible values can be given.



8 Plugs and anchors

	Page		Page
HIGH PERFORMANCE STEEL ANCHORS		PLASTIC FIXINGS	
Bolt anchor FAZ II	 303	Frame fixing SXR	 326
ZYKON undercut anchor FZA	 306	Frame fixing SXRL	 327
ZYKON hammerset anchor FZEA II	 307	Stand-off installation Thermax	 328
Concrete screw ULTRACUT FBS II	 307	DUOPOWER	 330
Hammerset anchor EA II	 313	Universal plug UX	 331
Nail anchor FNA II	 315	Expansion plug SX	 332
Ceiling nail FDN II	 316	FOAMS AND SEALANTS	
Aircrete anchor FPX-I	 317	Gun Foam Premium PUP 750	 333
CHEMICAL FIXINGS		2-component premium rapid foam 2K PU 400 PLUS	 333
Highbond-System FHB II	 318	Rapid installation foam Premium PU 500/750	 333
Superbond-System FSB	 321	Premium sanitary silicone DSSA	 334
Injection mortar FIS V	 322	Premium construction silicone DBSA	 334
Injection mortar FIS VL	 325	Construction sealant Premium DKM	 334
		Premium all-weather sealant DDK	 335
		Flexible power adhesive premium HTM	 335
		Zinc spray FTC-ZS	 335
		Accessories	 336

Overview of anchors and their approvals or suitability for sprinkler installations

Typ	 		 			
	ETA Concrete single	ETA Beton Concrete multiple	ETA Masonry	VdS approved	FM approved	
FAZ II	Option 1			✓	✓	
ULTRACUT FBS II	Option 1	✓ (FBS 6)		✓ (incl. FBS 6)		
FZA	Option 1			✓	✓	
FHB II	Option 1					
FZEA II	Option 1			✓	✓	
EA II	Option 7	✓		✓	✓	
FIS V/VS/VW	Option 1		✓			
FIS SB	Option 1					
FIS V	Option 1		✓			
FNA II		✓		✓		
FPX-I			✓ Aerated concrete	✓ Aerated concrete		
FDN II		✓				
SXR / SXRL		✓	✓			














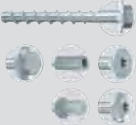
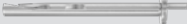


Legend:

ETA concrete option 1, single fixing = suitable for cracked and non-cracked concrete

ETA concrete option 7, single fixing = suitable for non-cracked concrete

ETA concrete for multiple fixing = suitable for cracked and non-cracked concrete

Anchor recommendation for fixing of Installation Systems products
















Installation Systems products for push-through	 Plugs recommendation for concrete substrate	 Plugs recommendation for masonry substrate
<p>FCA</p>  <p>FUS</p>  <p>VB</p> 	<p>FAZ II</p>  <p>ULTRACUT FBS II</p> 	<p>SXRL</p>  <p>FIS V with threaded rod or internal threaded socket as an alternative for pre positional installation.</p>   
<p>FLS</p>  <p>GPL</p> 	<p>ULTRACUT FBS II 6</p>  <p>FDN II</p>  <p>FNA II</p> 	<p>SXRL</p>  <p>As an alternative for pre-positioned installation!</p>

Push-through installation:

Drilling of the hole as well as the installation of the anchor takes place through the baseplate of the cantilever arm, the channel or saddle flange, ...

Note: The combination of Installation Systems products and anchors is variable.

Anchor recommendation for fixing of Installation Systems products

Installation Systems products push-through installation	 Plugs recommendation for concrete substrate	 Plugs recommendation for masonry substrate
<p>G/GS</p>  <p>Pipe clamp</p> 	<p>EA II</p>  <p>FZEA II</p>  <p>ULTRACUT FBS II 6</p>  <p>FGD</p> 	<p>FPX-I for aerated concrete</p>  <p>UX</p>  <p>FIS V with threaded rod or internal threaded socket as an alternative for pre positional installation.</p>    <p>SX</p>  <p>DUOPOWER</p> 

Pre positioned installation:

Drilling and anchor installation is done before installing (if required by screwing in) of the accessory like threaded rod or pipe clamps, ...

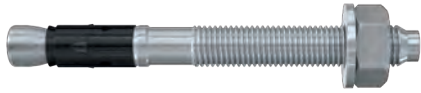
For further details as loads and dimensions please see the following pages or www.fischer.com

Note: The combination of Installation Systems products and anchors is variable.

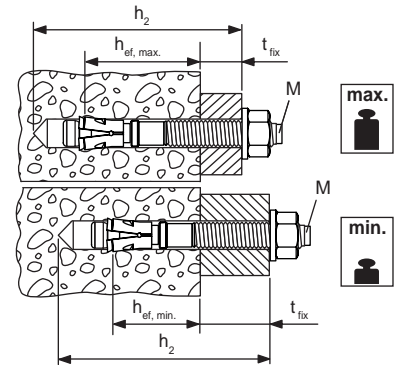
Bolt anchor FAZ II

For highest demands. Powerful and flexible.

TECHNICAL DATA



Bolt anchor FAZ II

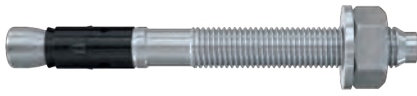


Item	Zinc-plated steel	Stainless steel	Highly corrosion resistant steel	Approval		Seismic-Approval	Drill hole diameter	Min. drill hole depth for through fixings	Anchor length	Max. usable length hef,max./hef,min.	Thread	Width across nut	Sales unit
	Art.-No.	Art.-No.	Art.-No.	ETA	ICC		d_0 [mm]	h_2 [mm]	l [mm]	t_{fix} [mm]	\emptyset x length [mm]	\circ SW [mm]	[pcs]
FAZ II 6/10	542621	542623	—	■	—	—	6	60	65	10/-	M 6 x 25	10	50
FAZ II 6/20	542622	542624	—	■	—	—	6	70	75	20/-	M 6 x 35	10	50
FAZ II 8/10	094871 1)	501396 1)	—	■	▲	C1	8	65	75	10/20	M 8 x 38	13	50
FAZ II 8/10	—	—	501428 1)	■	▲	C1	8	65	75	10/20	M 8 x 38	13	10
FAZ II 8/30	094877 1)	501399 1)	—	■	▲	C1	8	85	95	30/40	M 8 x 58	13	50
FAZ II 8/30	—	—	501429 1)	■	▲	C1	8	85	95	30/40	M 8 x 58	13	10
FAZ II 8/50	094878 1)	501401	—	■	▲	C1	8	105	115	50/60	M 8 x 78	13	50
FAZ II 8/100	094879 1)	—	—	■	▲	C1	8	155	165	100/110	M 8 x 128	13	25
FAZ II 8/160	503251 1)	—	—	■	▲	C1	8	215	225	160/170	M 8 x 100	13	20
FAZ II 10/10	094981	501403	—	■	▲	C1 / C2	10	85	95	10/30	M 10 x 53	17	50
FAZ II 10/10	—	—	501430	■	▲	C1	10	85	95	10/30	M 10 x 53	17	10
FAZ II 10/20	094982	—	—	■	▲	C1 / C2	10	95	105	20/40	M 10 x 63	17	25
FAZ II 10/20	—	501406	—	■	▲	C1 / C2	10	95	105	20/40	M 10 x 63	17	50
FAZ II 10/30	094983	—	—	■	▲	C1 / C2	10	105	115	30/50	M 10 x 73	17	25
FAZ II 10/30	—	501407	—	■	▲	C1 / C2	10	105	115	30/50	M 10 x 73	17	50
FAZ II 10/30	—	—	503185	■	▲	C1	10	105	115	30/50	M 10 x 73	17	10
FAZ II 10/50	094984	501409	—	■	▲	C1 / C2	10	125	135	50/70	M 10 x 93	17	20
FAZ II 10/70	—	501410	—	■	▲	C1 / C2	10	145	155	70/90	M 10 x 113	17	20
FAZ II 10/80	094985	—	—	■	▲	C1 / C2	10	155	165	80/100	M 10 x 123	17	20
FAZ II 10/100	—	501411	—	■	▲	C1 / C2	10	175	185	100/120	M 10 x 100	17	20
FAZ II 10/100	094986	—	—	■	▲	C1 / C2	10	175	185	100/120	M 10 x 143	17	20
FAZ II 10/160	—	501412	—	■	▲	—	10	235	245	160/180	M 10 x 100	17	20
FAZ II 10/160	503252	—	—	■	▲	—	10	235	245	160/180	M 10 x 193	17	20
FAZ II 12/10	095419	501413	—	■	▲	C1 / C2	12	100	110	10/30	M 12 x 61	19	20
FAZ II 12/10	—	—	503186	■	▲	C1	12	100	110	10/30	M 12 x 61	19	10
FAZ II 12/20	095420	501415	—	■	▲	C1 / C2	12	110	120	20/40	M 12 x 71	19	20
FAZ II 12/30	095421	501416	—	■	▲	C1 / C2	12	120	130	30/50	M 12 x 81	19	20
FAZ II 12/30	—	—	501431	■	▲	C1	12	120	130	30/50	M 12 x 81	19	10
FAZ II 12/50	095446	501419	—	■	▲	C1 / C2	12	140	150	50/70	M 12 x 101	19	20
FAZ II 12/60	—	501420	—	■	▲	C1 / C2	12	150	160	60/80	M 12 x 111	19	20
FAZ II 12/80	095454	—	—	■	▲	C1 / C2	12	170	180	80/100	M 12 x 131	19	20
FAZ II 12/100	095470	501421	—	■	▲	C1 / C2	12	190	200	100/120	M 12 x 151	19	20
FAZ II 12/160	503253	—	—	■	▲	—	12	250	260	160/180	M 12 x 186	19	10
FAZ II 12/160	—	503180	—	■	▲	—	12	250	260	160/180	M 12 x 100	19	20
FAZ II 12/200	095605	—	—	■	▲	—	12	290	300	200/220	M 12 x 186	19	10
FAZ II 16/5	522124	—	—	■	▲	C1 / C2	16	115	128	5/25	M 16 x 64	24	10
FAZ II 16/5	—	522125	—	■	▲	C1 / C2	16	115	128	5/25	M 16 x 64	24	20

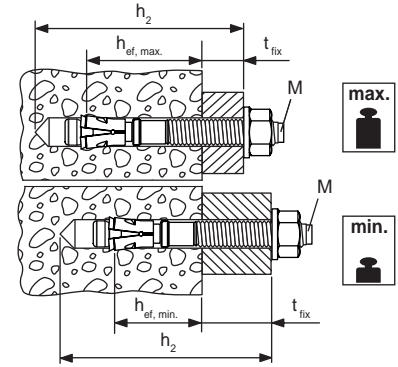
1) With minimum embedment depth only for statically indeterminate systems

Approval Seismic C1/C2 only with maximum embedment depth

TECHNICAL DATA



Bolt anchor **FAZ II**



Item	Zinc-plated steel	Stainless steel	Highly corrosion resistant steel	Approval		Seismic-Approval	Drill hole diameter	Min. drill hole depth for through fixings	Anchor length	Max. usable length hef,max./hef,min.	Thread	Width across nut	Sales unit
	Art.-No.	Art.-No.	Art.-No.	ETA	ICC		d_0 [mm]	h_2 [mm]	l [mm]	t_{fix} [mm]	$\emptyset \times$ length [mm]	\emptyset SW [mm]	[pcs]
FAZ II 16/25	—	501423	—	■	▲	C1 / C2	16	135	148	25/45	M 16 x 84	24	20
FAZ II 16/25	—	—	501432	■	▲	C1	16	135	148	25/45	M 16 x 84	24	10
FAZ II 16/25	095836	—	—	■	▲	C1 / C2	16	135	148	25/45	M 16 x 84	24	10
FAZ II 16/50	095864	—	—	■	▲	C1 / C2	16	160	173	50/70	M 16 x 109	24	10
FAZ II 16/50	—	—	503187	■	▲	C1	16	160	173	50/70	M 16 x 109	24	10
FAZ II 16/50	—	501424	—	■	▲	C1 / C2	16	160	173	50/70	M 16 x 109	24	20
FAZ II 16/100	095865	501425	—	■	▲	C1 / C2	16	210	223	100/120	M 16 x 159	24	10
FAZ II 16/160	503254	—	—	■	▲	C1 / C2	16	270	283	160/180	M 16 x 189	24	10
FAZ II 16/200	095967	—	—	■	▲	—	16	310	323	200/220	M 16 x 189	24	10
FAZ II 16/250	095968	—	—	■	▲	—	16	360	373	250/270	M 16 x 100	24	10
FAZ II 16/300	096188	—	—	■	▲	—	16	410	423	300/320	M 16 x 100	24	10
FAZ II 20/30	046632	—	—	■	▲	C1 / C2	20	155	172	30/-	M 20 x 54	30	5
FAZ II 20/30	—	501426	—	■	▲	C1 / C2	20	155	172	30/-	M 20 x 54	30	4
FAZ II 20/60	046633	—	—	■	▲	C1 / C2	20	185	202	60/-	M 20 x 84	30	5
FAZ II 20/60	—	503183	—	■	▲	C1 / C2	20	185	202	60/-	M 20 x 84	30	4
FAZ II 20/160	503255	—	—	■	▲	C1 / C2	20	285	302	160/-	M 20 x 100	30	5
FAZ II 24/30	046635	—	—	■	▲	C1	24	185	205	30/-	M 24 x 58	36	5
FAZ II 24/30	—	501427	—	■	▲	C1	24	185	205	30/-	M 24 x 58	36	4
FAZ II 24/60	046636	—	—	■	▲	C1	24	215	235	60/-	M 24 x 88	36	5
FAZ II 24/60	—	503184	—	■	▲	C1	24	215	235	60/-	M 24 x 88	36	4

1) With minimum embedment depth only for statically indeterminate systems

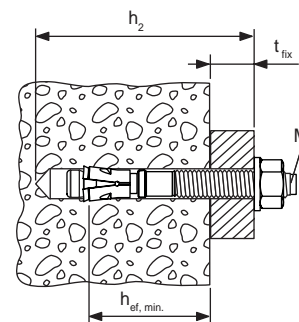
Approval Seismic C1/C2 only with maximum embedment depth

Bolt anchor FAZ II K For highest demands. Short and practible.

TECHNICAL DATA



Bolt anchor **FAZ II K**



Item	Zinc-plated steel	Stainless steel	Approval ETA	Drill hole diameter	Min. drill hole depth for through fixings	Anchor length	Usable length (hef min.)	Thread	Washer (outer diameter x thickness)	Sales unit
	Art.-No.	Art.-No.		d_0 [mm]	h_2 [mm]	l [mm]	t_{fix} [mm]	\emptyset x length [mm]	[mm]	[pcs]
	gvz	A4								
FAZ II 8/5 K	538989	538990	■	8	45	60	5	M 8 x 23	16 x 1,6	50
FAZ II 10/10 K	522108	522116	■	10	65	75	10	M 10 x 33	20 x 2	50
FAZ II 10/20 K	522110	—	■	10	75	85	20	M 10 x 43	20 x 2	25
FAZ II 10/20 K	—	522117	■	10	75	85	20	M 10 x 43	20 x 2	50
FAZ II 12/10 K	522118	522122	■	12	80	90	10	M 12 x 41	24 x 2,5	20
FAZ II 12/20 K	522119	522123	■	12	90	100	20	M 12 x 51	24 x 2,5	20
FAZ II 10/10 K GS	522115	—	■	10	65	75	10	M 10 x 33	25 x 3	50
FAZ II 12/10 K GS	522121	—	■	12	80	90	10	M 12 x 41	30 x 3	20

ACCESSORIES



fischer Anchor bolt setting tool **FABS**

Item	Art.-No.	Matching anchor type	Sales unit [pcs]
FABS	077937	FAZ II, FBZ, FBN II for diameter from M8 - M12	1

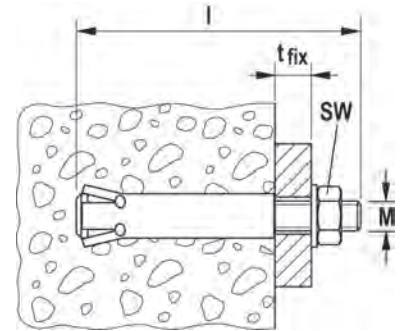
ZYKON undercut anchor FZA

The fixing system with the highest safety in cracked concrete

TECHNICAL DATA



ZYKON Bolt anchor FZA

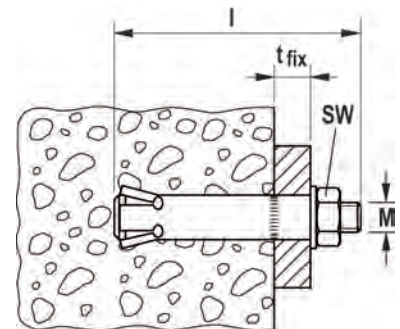


Item	Zinc-plated steel	Stainless steel	Approval ETA	Seismic-Approval	Required drill bit FZUB	Required setting tool FZE plus	Bolt length	Max. fixture thickness	Thread	Width across nut	Sales unit
	Art.-No.	Art.-No.					l [mm]	t _{fix} [mm]	M	○ SW [mm]	[pcs]
	gvz	A4									
FZA 10 x 40 M6/10	060712	060772	■	–	10 x 40	FZE 10 plus	60	10	M 6	10	25
FZA 12 x 40 M 8/15	060715	060775	■	–	12 x 40	FZE 12 plus	69	15	M 8	13	25
FZA 12 x 50 M 8/15	060716	060776	■	–	12 x 50	FZE 12 plus	79	15	M 8	13	20
FZA 12 x 50 M 8/50	–	060774	■	–	12 x 50	FZE 12 plus	114	50	M 8	13	20
FZA 14 x 40 M10/25	060718	–	■	C1	14 x 40	FZE 14 plus	79	25	M 10	17	25
FZA 14 x 40 M10/25	–	060778	■	C1	14 x 40	FZE 14 plus	79	25	M 10	17	20
FZA 14 x 60 M10/25	060719	060779	■	C1	14 x 60	FZE 14 plus	102	25	M 10	17	10
FZA 14 x 60 M10/50	–	060766	■	C1	14 x 60	FZE 14 plus	126	50	M 10	17	10
FZA 18 x 80 M12/25	060721	060781	■	C1	18 x 80	FZE 18 plus	126	25	M 12	19	10
FZA 18 x 80 M12/55	–	060767	■	C1	18 x 80	FZE 18 plus	156	55	M 12	19	10
FZA 22 x 100 M16/60	060724	060782	■	C1	22 x 100	FZE 22 plus	184	60	M 16	24	10
FZA 22 x 125 M16/60	060725	060768	■	C1	22 x 125	FZE 22 plus	209	60	M 16	24	6

TECHNICAL DATA



ZYKON Through anchor FZA-D



Item	Zinc-plated steel	Stainless steel	Approval ETA	Seismic-Approval	Required drill bit FZUB	Required setting tool FZE plus	Bolt length	Max. fixture thickness	Thread	Width across nut	Sales unit
	Art.-No.	Art.-No.					l [mm]	t _{fix} [mm]	M	○ SW [mm]	[pcs]
	gvz	A4									
FZA 12 x 50 M 8 D/10	060652	060664	■	–	12 x 50	FZE 12 plus	69	10	M 8	13	25
FZA 12 x 60 M 8 D/10	060653	060665	■	–	12 x 60	FZE 12 plus	79	10	M 8	13	25
FZA 12 x 80 M 8 D/30	060654	060666	■	–	12 x 80	FZE 12 plus	99	30	M 8	13	25
FZA 14 x 80 M10 D/20	060657	060669	■	C1	14 x 80	FZE 14 plus	102	20	M 10	17	10
FZA 14 x 100 M 8 D/30	060658	060670	■	C1	14 x 100	FZE 14 plus	126	40	M 10	17	10
FZA 18 x 100 M12 D/20	060684	060672	■	C1	18 x 100	FZE 18 plus	126	20	M 12	19	10
FZA 18 x 130 M12 D/50	060685	060673	■	C1	18 x 130	FZE 18 plus	156	50	M 12	19	10
FZA 22 x 125 M16 D/25	060663	060675	■	C1	22 x 125	FZE 22 plus	156	25	M 16	24	10

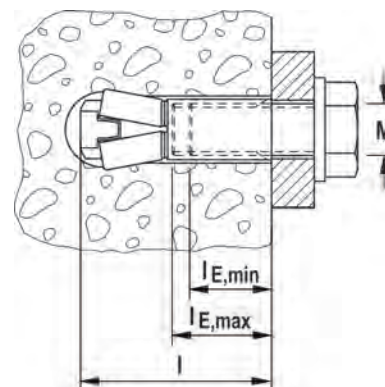
ZYKON hammerset anchor FZEA II

The internally threaded anchor with low anchoring depth for individual fixings in cracked concrete

TECHNICAL DATA



Zykron-Hammerset anchor FZEA II



	Zinc-plated steel	Stainless steel	Highly corrosion resistant steel	Approval	Required drill bit FZUB	Required setting tool FZED plus	Length	Internal thread A1	Max. bolt penetration $l_{E,max}$	Min. bolt penetration $l_{E,min}$	Sales unit
	Art.-No.	Art.-No.	Art.-No.	ETA			l [mm]		[mm]	[mm]	[pcs]
Item	gvz	A4	C								
FZEA II 10 x 40 M 8	047303	047306	047309 1)	■	10 x 40	FZED 10 plus	43	M 8	17	11	100
FZEA II 12 x 40 M10	047304	047307	047310 1)	■	12 x 40	FZED 12 plus	43	M 10	19	13	100
FZEA II 14 x 40 M12	047305	047308	—	■	14 x 40	FZED 14 plus	43	M 12	21	15	50

1) Delivery on request.

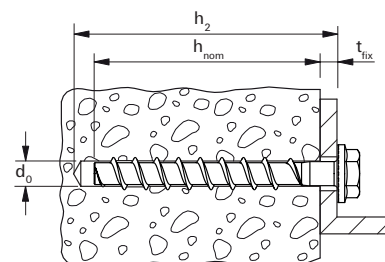
Concrete screw ULTRACUT FBS II

The high-performance concrete screw for absolute installation ease

TECHNICAL DATA

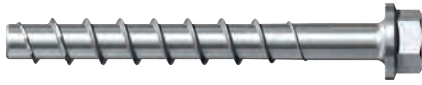


ULTRACUT FBS II US - hexagon head with integral washer

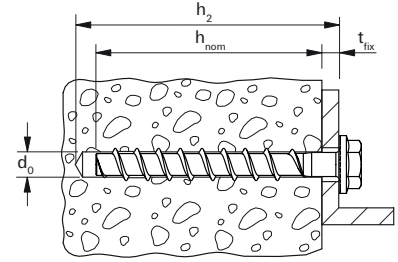


		Approval	Drill hole diameter	Min. drill hole depth for through fixings	Screw	Screw-in depth with fixture thickness	Screw-in depth with fixture thickness	Screw-in depth with fixture thickness	Drive	Sales unit
	Art.-No.	ETA	d_0 [mm]	h_2 [mm]	$d_a \times l_s$ [mm]	h_{nom1} / t_{fix} [mm]	h_{nom2} / t_{fix} [mm]	h_{nom3} / t_{fix} [mm]		[pcs]
Item	gvz									
FBS II 8x55 5/- US TX	536851	■	8	65	10 x 55	50 / 5	- / -	- / -	TX40/SW13	50
FBS II 8x70 20/5 US TX	536852	■	8	80	10 x 70	50 / 20	- / -	65 / 5	TX40/SW13	50
FBS II 8x80 30/15 US TX	536853	■	8	90	10 x 80	50 / 30	- / -	65 / 15	TX40/SW13	50
FBS II 8x90 40/25 US TX	536854	■	8	100	10 x 90	50 / 40	- / -	65 / 25	TX40/SW13	50
FBS II 8x100 50/35 US TX	536855	■	8	110	10 x 100	50 / 50	- / -	65 / 35	TX40/SW13	50
FBS II 8x110 60/45 US TX	536856	■	8	120	10 x 110	50 / 60	- / -	65 / 45	TX40/SW13	50
FBS II 8x130 80/65 US TX	536857	■	8	140	10 x 130	50 / 80	- / -	65 / 65	TX40/SW13	50
FBS II 10x60 5/-/- US	536858	■	10	70	12 x 60	55 / 5	- / -	- / -	SW 15	50
FBS II 10x70 15/5/- US	536859	■	10	80	12 x 70	55 / 15	65 / 5	- / -	SW 15	50
FBS II 10x80 25/15/- US	536860	■	10	90	12 x 80	55 / 25	65 / 15	- / -	SW 15	50

TECHNICAL DATA

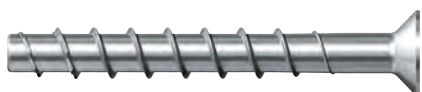


ULTRACUT FBS II US - hexagon head with integral washer

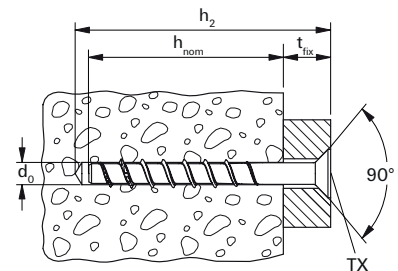


Item	Art.-No.	Approval ETA	Drill hole diameter d_0 [mm]	Min. drill hole depth for through fixings h_2 [mm]	Screw $d_a \times l_s$ [mm]	Screw-in depth with fixture thickness h_{nom1} / t_{fix} [mm]	Screw-in depth with fixture thickness h_{nom2} / t_{fix} [mm]	Screw-in depth with fixture thickness h_{nom3} / t_{fix} [mm]	Drive	Sales unit [pcs]
FBS II 10x90 35/25/5 US	536861	■	10	100	12 x 90	55 / 35	65 / 25	85 / 5	SW 15	50
FBS II 10x100 45/35/15 US	536862	■	10	110	12 x 100	55 / 45	65 / 35	85 / 15	SW 15	50
FBS II 10x120 65/55/35 US	536863	■	10	130	12 x 120	55 / 65	65 / 55	85 / 35	SW 15	50
FBS II 10x140 85/75/55 US	536864	■	10	150	12 x 140	55 / 85	65 / 75	85 / 55	SW 15	50
FBS II 10x160 105/95/75 US	536865	■	10	170	12 x 160	55 / 105	65 / 95	85 / 75	SW 15	50
FBS II 10x200 145/135/115 US	536866	■	10	210	12 x 200	55 / 145	65 / 135	85 / 115	SW 15	20
FBS II 10x230 175/165/145 US	536867	■	10	240	12 x 230	55 / 175	65 / 165	85 / 145	SW 15	20
FBS II 10x260 205/195/175 US	536868	■	10	270	12 x 260	55 / 205	65 / 195	85 / 175	SW 15	20
FBS II 12x70 10/-/- US	536869	■	12	80	14 x 70	60 / 10	- / -	- / -	SW 17	20
FBS II 12x85 25/10/- US	536870	■	12	95	14 x 85	60 / 25	75 / 10	- / -	SW 17	20
FBS II 12x110 50/35/10 US	536871	■	12	120	14 x 110	60 / 50	75 / 35	100 / 10	SW 17	20
FBS II 12x130 70/55/30 US	536872	■	12	140	14 x 130	60 / 70	75 / 55	100 / 30	SW 17	20
FBS II 12x150 90/75/50 US	536873	■	12	160	14 x 150	60 / 90	75 / 75	100 / 50	SW 17	20
FBS II 14x75 10/-/- US	536874	■	14	90	16 x 75	65 / 10	- / -	- / -	SW 21	20
FBS II 14x95 30/10/- US	536875	■	14	110	16 x 95	65 / 30	85 / 10	- / -	SW 21	20
FBS II 14x100 35/15/- US	536876	■	14	115	16 x 100	65 / 35	85 / 15	- / -	SW 21	20
FBS II 14x125 60/40/10 US	536877	■	14	140	16 x 125	65 / 60	85 / 40	115 / 10	SW 21	10
FBS II 14x150 85/65/35 US	536878	■	14	165	16 x 150	65 / 85	85 / 65	115 / 35	SW 21	10

TECHNICAL DATA



ULTRACUT FBS II SK - countersunk head



Item	Art.-No.	Approval ETA	Drill hole diameter d_0 [mm]	Min. drill hole depth for through fixings h_2 [mm]	Screw $d_a \times l_s$ [mm]	Screw-in depth with fixture thickness h_{nom1} / t_{fix} [mm]	Screw-in depth with fixture thickness h_{nom2} / t_{fix} [mm]	Screw-in depth with fixture thickness h_{nom3} / t_{fix} [mm]	Drive	Sales unit [pcs]
FBS II 8x60 10/- SK	536880	■	8	70	10 x 60	50 / 10	- / -	- / -	TX40	50
FBS II 8x80 30/15 SK	536881	■	8	90	10 x 80	50 / 30	- / -	65 / 15	TX40	50
FBS II 8x90 40/25 SK	536882	■	8	100	10 x 90	50 / 40	- / -	65 / 25	TX40	50
FBS II 10x65 10/-/- SK	536884	■	10	75	12 x 65	55 / 10	- / -	- / -	TX50	50
FBS II 10x80 25/15/- SK	536885	■	10	90	12 x 80	55 / 25	65 / 15	- / -	TX50	50
FBS II 10x95 40/30/10 SK	536886	■	10	105	12 x 95	55 / 40	65 / 30	85 / 10	TX50	50
FBS II 10x100 45/35/15 SK	536887	■	10	110	12 x 100	55 / 45	65 / 35	85 / 15	TX50	50
FBS II 10x120 65/55/35 SK	536888	■	10	130	12 x 120	55 / 65	65 / 55	85 / 35	TX50	50

ACCESSORIES



Checking gauge FUP



Nut SW



Nut TX



FMB T40 Maxx Bit



Profi-bit FPB T50 5/16"

Item	Art.-No.	Internal diameter	Drive	Match	Sales unit
		D [mm]			[pcs]
Checking gauge FUP 8	537200	9,9	–	FBS II 8	1
Checking gauge FUP 10	537201	12,0	–	FBS II 10	1
Checking gauge FUP 12	537202	13,0	–	FBS II 12	1
Checking gauge FUP 14	537203	15,0	–	FBS II 14	1
Nut SW13	538578	–	1/2" / SW13	FBS II 8	1
Nut SW15	538579	–	1/2" / SW15	FBS II 10	1
Nut SW17	538580	–	1/2" / SW17	FBS II 12	1
Nut SW21	538581	–	1/2" / SW21	FBS II 14	1
Nut TX40	538575 1)	–	1/2" - 1/4"	FBS II 8 / FBS II 8 SK	1
Nut TX50	538576 2)	–	1/2" - 5/16"	FBS II 10 / FBS II 10 SK	1
FMB T40 Maxx Bit W 5	533159	–	TX40	FBS II 8 / FBS II 8 SK	10
FPB Profi-Bit T50 5/16"	538574	–	TX50	FBS II 10 SK	1

1) Suitable for FMB T40 Maxx Bit

2) Suitable for FPB Profi-Bit T50 5/16"

ACCESSORIES



Filling washer FFD



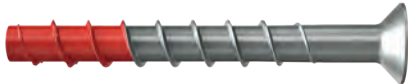
Washer U

Item	Art.-No.	Internal diameter	External-Ø	Match	Sales unit
		D [mm]	d [mm]		[pcs]
FFD 22 x 9 x 6	547515	9,0	22	FBS II 6	4
FFD 26 x 12 x 6	538458	12,0	26	FBS II 8	4
FFD 30 x 14 x 6	538459	14,2	30	FBS II 10 / FBS II 12	4
FFD 38 x 19 x 7	538460	19,2	38	FBS II 14	4
FFD 30x14x6 A4	541987	14,0	30	FBS II 10 A4 / FBS II 12 A4	4
Washer for FBS 10	520471	13,5	44	FBS II 10	50

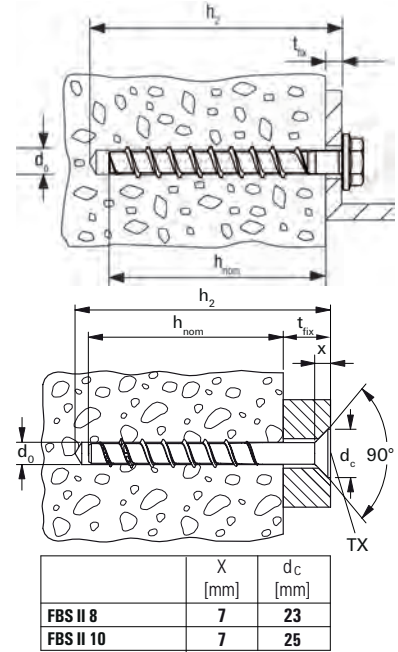
TECHNICAL DATA



ULTRACUT FBS II US A4 - hexagon head with molded washer, stainless steel A4



ULTRACUT FBS II SK A4 - countersunk head, stainless steel A4

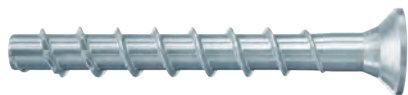


Item	Art.-No.	Approval ETA	Drill hole diameter	Min. drill hole depth for through fixings	Screw length	Screw-in depth with fixture thickness	Screw-in depth with fixture thickness	Screw-in depth with fixture thickness	Drive	Sales unit
			d ₀ [mm]	h ₂ [mm]	l _s [mm]	h _{nom1} / t _{fix} [mm]	h _{nom2} / t _{fix} [mm]	h _{nom3} / t _{fix} [mm]		
FBS II 8x60 10/- US A4	543565	■	8	70	60	50 / 10	- / -	- / -	SW 13	50
FBS II 8x70 5/- US A4	543566	■	8	80	70	50 / 20	- / -	65 / 5	SW 13	50
FBS II 8x80 15/- US A4	543567	■	8	90	80	50 / 30	- / -	65 / 15	SW 13	50
FBS II 8x90 25/- US A4	543568	■	8	100	90	50 / 40	- / -	65 / 25	SW 13	50
FBS II 10x60 5/-/- US A4	543569	■	10	70	60	55 / 5	- / -	- / -	SW 15	50
FBS II 10x70 15/5/- US A4	543570	■	10	80	70	55 / 15	65 / 5	- / -	SW 15	50
FBS II 10x80 25/15/- US A4	543571	■	10	90	80	55 / 25	65 / 15	- / -	SW 15	50
FBS II 10x90 5/- US A4	543572	■	10	100	90	55 / 35	65 / 25	85 / 5	SW 15	50
FBS II 10x100 15/- US A4	543573	■	10	110	100	55 / 45	65 / 35	85 / 15	SW 15	50
FBS II 10x120 35/- US A4	543574	■	10	130	120	55 / 65	65 / 55	85 / 35	SW 15	50
FBS II 12x70 10/-/- US A4	543575	■	12	80	70	60 / 10	- / -	- / -	SW 17	20
FBS II 12x85 25/10/- US A4	543576	■	12	95	85	60 / 25	75 / 10	- / -	SW 17	20
FBS II 12x110 10/- US A4	543577	■	12	120	110	60 / 50	75 / 35	100 / 10	SW 17	50
FBS II 12x130 30/- US A4	543578	■	12	140	130	60 / 70	75 / 55	100 / 30	SW 17	20
FBS II 8x60 10/- SK A4	543579	■	8	70	60	50 / 10	- / -	- / -	TX40	50
FBS II 8x80 15/- SK A4	543580	■	8	90	80	50 / 30	- / -	65 / 15	TX40	50
FBS II 8x90 25/- SK A4	543581	■	8	100	90	50 / 40	- / -	65 / 25	TX40	50
FBS II 10x65 10/-/- SK A4	543582	■	10	75	65	55 / 10	- / -	- / -	TX50	50
FBS II 10x80 25/15/- SK A4	543583	■	10	90	80	55 / 25	65 / 15	- / -	TX50	50
FBS II 10x95 10/- SK A4	543584	■	10	105	95	55 / 40	65 / 30	85 / 10	TX50	50
FBS II 10x100 15/- SK A4	543585	■	10	110	100	55 / 45	65 / 35	85 / 15	TX50	50
FBS II 10x120 35/- SK A4	543586	■	10	130	120	55 / 65	65 / 55	85 / 35	TX50	50

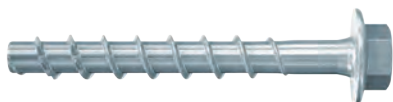
TECHNICAL DATA



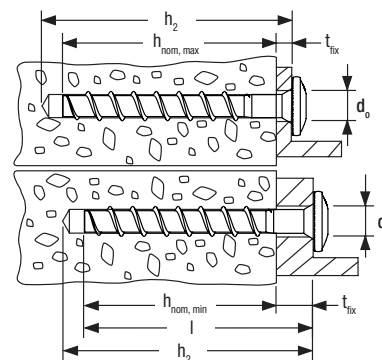
ULTRACUT FBS II 6 P - panhead



ULTRACUT FBS II 6 SK - panhead



ULTRACUT FBS II 6 US - hexagon head with molded washer

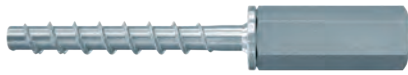


Item	Art.-No.	Approval ETA	Drill hole diameter	Min. drill hole depth for through fixings	Screw length	Head-Ø	Screw-in depth	Usable length	Drive	Sales unit [pcs]
			d_0 [mm]	h_2 [mm]	l_s [mm]	d_K [mm]	$h_{nom,min}$ - $h_{nom,max}$ [mm]	$t_{fix,min}$ - $t_{fix,max}$ [mm]		
FBS II 6 x 30/5 P	546377	■	6	40	30	14.4	25	Screw length - h_{nom}	T30	100
FBS II 6 x 40/5 P	546378	■	6	50	40	14.4	25 - 35	Screw length - h_{nom}	T30	100
FBS II 6 x 40/5 LP	546379	■	6	50	40	17.5	25 - 35	Screw length - h_{nom}	T30	100
FBS II 6 x 60/5 P	546380	■	6	70	60	14.4	25 - 55	Screw length - h_{nom}	T30	100
FBS II 6 x 80/25 P	546381	■	6	90	80	14.4	25 - 55	Screw length - h_{nom}	T30	100
FBS II 6 x 30/5 SK	546382	■	6	40	30	13.5	25	Screw length - h_{nom}	T30	100
FBS II 6 x 40/5 SK	546383	■	6	50	40	13.5	25 - 35	Screw length - h_{nom}	T30	100
FBS II 6 x 60/5 SK	546384	■	6	70	60	13.5	25 - 55	Screw length - h_{nom}	T30	100
FBS II 6 x 80/25 SK	546385	■	6	90	80	13.5	25 - 55	Screw length - h_{nom}	T30	100
FBS II 6 x 100/45 SK	546386	■	6	110	100	13.5	25 - 55	Screw length - h_{nom}	T30	100
FBS II 6 x 120/65 SK	546387	■	6	130	120	13.5	25 - 55	Screw length - h_{nom}	T30	100
FBS II 6 x 140/85 SK	546388	■	6	150	140	13.5	25 - 55	Screw length - h_{nom}	T30	100
FBS II 6 x 160/105 SK	546389	■	6	170	160	13.5	25 - 55	Screw length - h_{nom}	T30	100
FBS II 6 x 40/5 US	546390	■	6	50	40	17	25 - 35	Screw length - h_{nom}	SW 10	100
FBS II 6 x 60/5 US	546391	■	6	70	60	17	25 - 55	Screw length - h_{nom}	SW 10	100
FBS II 6 x 80/25 US	546392	■	6	90	80	17	25 - 55	Screw length - h_{nom}	SW 10	100
FBS II 6 x 100/45 US	546393	■	6	110	100	17	25 - 55	Screw length - h_{nom}	SW 10	100
FBS II 6 x 120/65 US	546394	■	6	130	120	17	25 - 55	Screw length - h_{nom}	SW 10	100

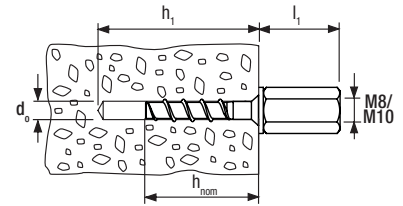
TECHNICAL DATA



ULTRACUT FBS II M8/M10 - outside diameter



ULTRACUT FBS II M8/M10 I - internal thread M8/M10



Item	Art.-No. gvz	Approval ETA	Drill hole diameter	Min. drill hole depth for pre-positioned installation	Projection length	Screw-in depth	Drive	Sales unit	
			d_0 [mm]	h_1 [mm]	l_1 [mm]	h_{nom} [mm]		[pcs]	
FBS II 6 x 25 M8/19	546395	■	6	35	19	25	SW 10	100	
FBS II 6 x 35 M8/19	546396	■	6	45	19	35	SW 10	100	
FBS II 6 x 55 M8/19	546397	■	6	65	19	55	SW 10	100	
FBS II 6 x 35 M10/21	546398	■	6	45	21	35	SW 13	100	
FBS II 6 x 55 M10/21	546399	■	6	65	21	55	SW 13	100	
FBS II 6 x 35 M8/M10 I	546400	■	6	45	37	35	SW 13	100	
FBS II 6 x 55 M8/M10 I	546401	■	6	65	37	55	SW 13	100	

Hammerset anchor EA II

The internally threaded anchor with rim for simple hammerset installation

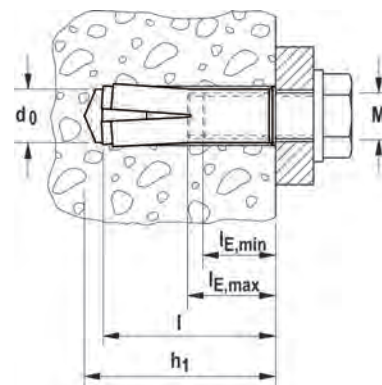
TECHNICAL DATA



Hammerset anchor **EA II**, with reduced anchorage depth h_{ef} 25 mm and a black fixing point which prevents the anchor from falling out of the drill hole.



Hammerset anchor **EA II**. Not suitable for diamond drilling appliances and diamond saws.



	Zinc-plated steel	Stainless steel	Approval	Drill hole diameter	Min. drill hole depth for pre-positioned installation	Anchor length	Internal thread	Min. bolt penetration	Max. bolt penetration	Sales unit
	Art.-No.	Art.-No.	ETA	d_0 [mm]	h_1 [mm]	l [mm]	M	$l_{E,min}$ [mm]	$l_{E,max}$ [mm]	[pcs]
Item	gvz	A4								
EA II M 6 x 25	532230	—	■	8	27	25	M 6	6	14	100
EA II M 6 x 30	048264	048410	■	8	32	30	M 6	6	14	100
EA II M 8 x 25	532231	—	■	10	27	25	M 8	8	14	100
EA II M 8 x 30	048284	048411	■	10	33	30	M 8	8	14	100
EA II M 8 x 40	048323	048412	■	10	43	40	M 8	8	14	50
EA II M 10 x 25	532232	—	■	12	27	25	M 10	10	14	50
EA II M 10 x 30	048332	—	■	12	33	30	M 10	10	14	50
EA II M 10 x 40	048339	048414	■	12	43	40	M 10	10	17	50
EA II M 12 x 25	532233	—	■	15	27	25	M 12	12	14	25
EA II M 12 x 50	048406	048415	■	15	54	50	M 12	12	22	25
EA II M 16 x 65	048408	048416	■	20	70	65	M 16	16	28	20
EA II M 20 x 80	048409	048417	■	25	85	80	M 20	20	34	10

Associated setting tool for manual installation (EHS Plus), for installation with hammer drill (EMS)

ACCESSORIES



Stop drill **EBB**

Item	Art.-No.	Tool holder	Drill hole diameter	Drill hole depth	Match	Sales unit
			[mm]	[mm]		[pcs]
EBB 8 x 25	532607	SDS plus	8	27	EA II M 6 x 25	1
EBB 10 x 25	532608	SDS plus	10	27	EA II M 8 x 25	1
EBB 12 x 25	532609	SDS plus	12	27	EA II M 10 x 25	1
EBB 15 x 25	532610	SDS plus	15	27	EA II M 12 x 25	1

ACCESSORIES



Machine setting tool **EMS**

Item	Art.-No.	Tool holder	Match	Sales unit [pcs]
EMS M 6 x 25/30	048065	SDS plus	EA II M 6 x 25, EA II M 6 x 30	1
EMS M 8 x 25/30	048066	SDS plus	EA II M 8 x 25, EA II M 8 x 30	1
EMS M 8 x 40	048067	SDS plus	EA II M 8 x 40	1
EMS M 10 x 25/30	048068 ¹⁾	SDS plus	EA II M 10 x 25, EA II M 10 x 30	1
EMS M 10 x 40	048070	SDS plus	EA II M 10 x 40	1
EMS M 12 x 50	048071	SDS plus	EA II M 12 x 50 D, EA II M 12 x 50, EA M 12 x 50 N D	1
EMS M 16 x 65	048072 ¹⁾	SDS max	EA II M 16 x 65	1
EMS M 20 x 80	048073 ¹⁾	SDS max	EA II M 20 x 80	1

¹⁾ Delivery time on request.

ACCESSORIES



Setting tool **EHS Plus** with hand impact protection for your safety and embossing tool.

Item	Art.-No.	Match	Sales unit [pcs]
EHS M 6 x 25/30 Plus	044630	EA II M 6 x 25, EA II M 6 x 30	1
EHS M 8 x 25/30 Plus	044631	EA II M 8 x 25, EA II M 8 x 30	1
EHS M 8 x 40 Plus	044632	EA II M 8 x 40	1
EHS M 10 x 25/30 Plus	048487	EA II M 10 x 25, EA II M 10 x 30	1
EHS M 12 x 25 Plus	532568	EA II M 12 x 25	1
EHS M 10 x 40 Plus	044633	EA II M 10 x 40	1
EHS M 12 x 50 Plus	044634	EA II M 12 x 50, EA II M 12 x 50 D	1
EHS M 16 x 65 Plus	044635	EA II M 16 x 65	1
EHS M 20 x 80 Plus	044636	EA II M 20 x 80	1

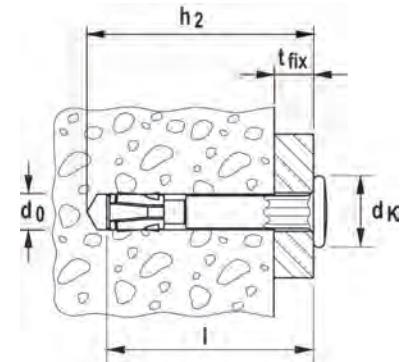
Nail anchor FNA II

The installation-friendly hammer-set anchor for multiple fixings

TECHNICAL DATA



Nail anchor **FNA II** with nail head



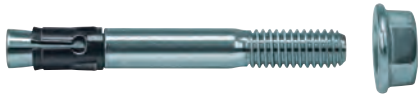
	Zinc-plated steel	Stainless steel	Highly corrosion resistant steel	Approval	Drill hole diameter	Min. drill hole depth for through fixings	Anchor length	Max. fixture thickness	Head-Ø	Sales unit	
	Art.-No.	Art.-No.	Art.-No.	ETA	d ₀ [mm]	h ₂ [mm]	l [mm]	t _{fix} [mm]	d _k [mm]	[pcs]	
Item	gvz	A4	C								
FNA II 6 x 25/5	044121 ¹⁾	—	—	■	6	40	35	5	13.0	100	
FNA II 6 x 30/5	044115 ¹⁾	044122	—	■	6	45	40	5	13.0	100	
FNA II 6 x 30/5	—	—	044124	■	6	45	40	5	13.0	25	
FNA II 6 x 30/30	044116	044123	—	■	6	70	65	30	13.0	50	
FNA II 6 x 30/30	—	—	044125	■	6	70	65	30	13.0	25	
FNA II 6 x 30/50	044117	046024	500569	■	6	90	85	50	13.0	50	
FNA II 6 x 30/75	044118	—	500573 ²⁾	■	6	115	110	75	13.0	50	
FNA II 6 x 30/100	044119	—	500574 ³⁾	■	6	140	135	100	13.0	50	
FNA II 6 x 30/120	044120	—	500575 ³⁾	■	6	160	155	120	13.0	50	

¹⁾ with hexagon below the nail head for anti-rotation lock of hole and wire hangers (for example) and centring for optional setting tool FNA-S

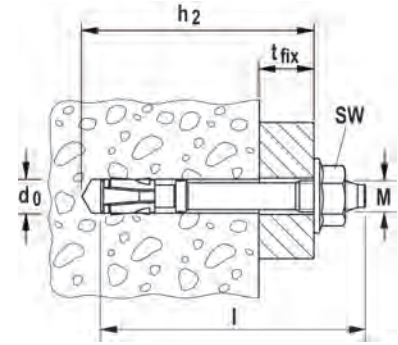
²⁾ On request.

³⁾ Delivery time on request.

TECHNICAL DATA



Nail anchor **FNA II M6**
with thread and flange nut



Item	Zinc-plated steel	Stainless steel	Highly corrosion resistant steel	Approval ETA	Drill hole diameter	Min. drill hole depth for through fixings	Anchor length	Max. fixture thickness	Thread	Width across nut	Sales unit
	Art.-No.	Art.-No.	Art.-No.		d_0 [mm]	h_2 [mm]	l [mm]	t_{fix} [mm]	M	\varnothing SW [mm]	[pcs]
	gvz	A4	C								
FNA II 6 x 25 M6/5	044111	—	—	■	6	40	45	5	M 6	10	100
FNA II 6 x 30 M6/5	044109	—	—	■	6	45	50	5	M 6	10	100
FNA II 6 x 30 M6/5	—	044112 2)	—	■	6	45	50	5	M 6	10	50
FNA II 6 x 30 M6/5	—	—	044113 2)	■	6	45	50	5	M 6	10	25
FNA II 6 x 30 M6 x 41	044110 1)	—	—	■	6	40	41	—	M 6	10	100
FNA II 6 x 30 M6/10	046022	—	—	■	6	45	55	10	M 6	10	100
FNA II 6 x 30 M8/5	044114	—	—	■	6	45	51	5	M 8	13	50

1) without nut; e.g. for fixing of pipe clamps

2) with nut and washer (no flange nut)

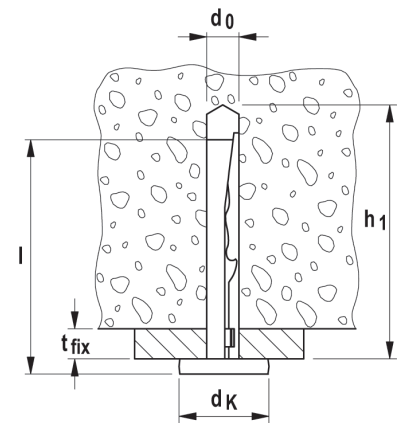
Ceiling nail FDN II

The installation-friendly push-through anchor for multiple fixings

TECHNICAL DATA



Ceiling nail **FDN II**



Item	Art.-No.	Approval ETA	Drill diameter	Anchor length	Max. fixture thickness	Min. drill hole depth without cleaning	Min. drill hole depth with cleaning	Head- \varnothing	Sales unit
			d_0 [mm]	l [mm]	t_{fix} [mm]	h_1 [mm]	h_1 [mm]	d_K [mm]	[pcs]
	gvz								
FDN II 6/5	545636	■	6	40	5	47	42	15	100
FDN II 6/35	545637	■	6	70	35	77	72	15	100
FDN II 6/5 K	545638	■	6	33	5	40	35	15	100
FDN II 6/35 K	545639	■	6	64	35	70	65	15	100

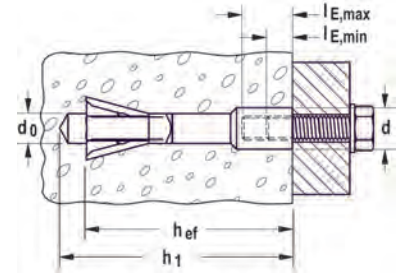
Aircrete anchor FPX-I

The strong internally threaded anchor with unique 4-way expansion for fixings in aerated concrete

TECHNICAL DATA



Aircrete anchor FPX-I



Item	Art.-No.	Approval ETA	Drill diameter	Min. drill hole depth for pre-positioned installation	Anchor length	Effect. anchorage depth	Min. bolt pene- tration	Max. bolt pene- tration	Sales unit
			d_0 [mm]	h_1 [mm]	l [mm]	h_{ef} [mm]	$l_{E,min}$ [mm]	$l_{E,max}$ [mm]	[pcs]
Item	gvz								
FPX M6-I	519021	■	10	95	75	70	10	15	25
FPX M8-I	519022	■	10	95	75	70	8	15	25
FPX M10-I	519023	■	10	95	75	70	10	15	25
FPX M12-I	519024	■	10	95	75	70	12	15	25

ACCESSORIES



Setting tool FPX M6 I



Setting tool FPX M8-M12 I

Item	Art.-No.	Matching anchor type	Sales unit [pcs]
Setting tool FPX M6 I	522517	FPX M6-I	10
Setting tool FPX M8-M12 I	522518	FPX M8-I - FPX M12-I	10

Injection mortar FIS HB The best performance in cracked concrete

TECHNICAL DATA



Injection mortar **FIS HB 345 S**
+ static mixer **FIS MR Plus**



Injection mortar **FIS HB 150 C**

Item	Art.-No.	Approval ETA	Languages on the cartridge	Scale unit	Contents	Sales unit [pcs]
FIS HB 345 S	033211	■	DE, EN, FR, ES, NL, CS	180	1 cartridge 360 ml, 2 x FIS MR Plus	6
FIS HB 150 C	519665	■	DE, FR, NL	70	1 cartridge 145 ml, 2 x FIS MR Plus	6
FIS MR Plus	545853	—	—	—	10 static mixer FIS MR Plus	10

Highbond-Resin Capsule FHB II-P / FHB II-PF The best performance in cracked concrete

TECHNICAL DATA



Resin capsule **FHB II-P** (standard)

Item	Art.-No.	Approval ETA	Drill hole diameter d_0 [mm]	Drill hole depth h_0 [mm]	Anchorage depth h_{ef} [mm]	Match	Sales unit [pcs]
FHB II-P 8 x 60	096824	■	10	75	60	FHB II-A L M 8 x 60	10
FHB II-P 10 x 60	096847	■	10	75	60	FHB II-S M 10 x 60	10
FHB II-P 10 x 75	508016	■	10	90	75	FHB II-A S M 10 x 75	10
FHB II-P 10 x 95	096843	■	12	110	95	FHB II-A L M 10 x 95	10
FHB II-P 12 x 75	096848	■	12	90	75	FHB II-A S M 12 x 75	10
FHB II-P 12 x 100	507922	■	14	115	100	FHB II-A L M 12 x 100	10
FHB II-P 12 x 120	096844	■	14	135	120	FHB II-A L M 12 x 120	10
FHB II-P 16 x 95	096849	■	16	110	95	FHB II-A S M 16 x 95	10
FHB II-P 16 x 125	507923	■	18	145	125	FHB II-A L M 16 x 125	10
FHB II-P 16 x 145	507924	■	18	165	145	FHB II-A L M 16 x 145	10
FHB II-P 16 x 160	096845	■	18	175	160	FHB II-A L M 16 x 160	10
FHB II-P 20 x 170	507925	■	25	190	170	FHB II-A S M 20 x 170	4
FHB II-P 20 x 210	096846	■	25	235	210	FHB II-A L M 20 x 210	4
FHB II-P 24 x 170	096851	■	25	190	170	FHB II-A S M 24 x 170	4
FHB II-P 24 x 210	507926	■	25	235	210	FHB II-A L M 24 x 210	4

TECHNICAL DATA



Resin capsule **FHB II-PF HIGH SPEED**
(quick version)

Item	Art.-No.	Approval ETA	Drill hole diameter d_0 [mm]	Drill hole depth h_0 [mm]	Anchorage depth h_{ef} [mm]	Match	Sales unit [pcs]
FHB II-PF 8 x 60	500542	■	10	75	60	FHB II-A L M 8 x 60	10
FHB II-PF 10 x 60	500547	■	10	75	60	FHB II-S M 10 x 60	10
FHB II-PF 10 x 75	507999	■	10	90	75	FHB II-A S M 10 x 75	10
FHB II-PF 10 x 95	500543	■	12	110	95	FHB II-A L M 10 x 95	10
FHB II-PF 12 x 75	500548	■	12	90	75	FHB II-A S M 12 x 75	10
FHB II-PF 12 x 100	508000	■	14	115	100	FHB II-A L M 12 x 100	10
FHB II-PF 12 x 120	500544	■	14	135	120	FHB II-A L M 12 x 120	10

TECHNICAL DATA



Resin capsule **FHB II-PF HIGH SPEED**
(quick version)

Item	Art.-No.	Approval ETA	Drill hole diameter d_0 [mm]	Drill hole depth h_0 [mm]	Anchorage depth h_{ef} [mm]	Match	Sales unit [pcs]
FHB II-PF 16 x 95	500549	■	16	110	95	FHB II-A S M 16 x 95	10
FHB II-PF 16 x 125	508001	■	18	145	125	FHB II-A L M 16 x 125	10
FHB II-PF 16 x 145	508002	■	18	165	145	FHB II-A L M 16 x 145	10
FHB II-PF 16 x 160	500545	■	18	175	160	FHB II-A L M 16 x 160	10
FHB II-PF 20 x 170	508003	■	25	190	170	FHB II-A S M 20 x 170	4
FHB II-PF 20 x 210	500546	■	25	235	210	FHB II-A L M 20 x 210	4
FHB II-PF 24 x 170	500550	■	25	190	170	FHB II-A S M 24 x 170	4
FHB II-PF 24 x 210	508004	■	25	235	210	FHB II-A L M 24 x 210	4

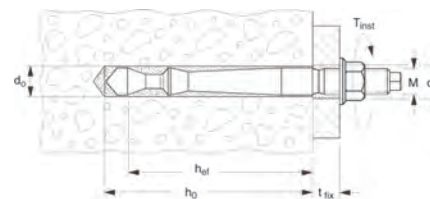
Highbond anchor FHB II-A S / FHB II A-L

The best performance in cracked concrete with the least installation effort

TECHNICAL DATA



Highbond anchor **FHB II-A S** (short version)



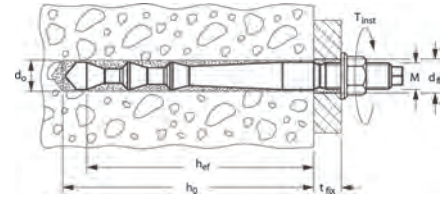
Item	Zinc-plated steel	Stainless steel	Highly cor- rosion resistant steel	Approval	Drill hole diameter d_0 [mm]	Drill hole depth h_0 [mm]	Anchorage depth h_{ef} [mm]	Usable length t_{fix} [mm]	Thread M	Width across nut ○ SW [mm]	Sales unit [pcs]
	Art.-No.	Art.-No.	Art.-No.	ETA							
	gvz	A4	C								
FHB II-A S M10 x 60/10	097072	097630	097704 1)	■	10	75	60	10	M 10	17	10
FHB II-A S M10 x 60/20	097073	097631	—	■	10	75	60	20	M 10	17	10
FHB II-A S M10 x 60/40	—	097632	—	■	10	75	60	40	M 10	17	10
FHB II-A S M10 x 60/60	097074	097633	—	■	10	75	60	60	M 10	17	10
FHB II-A S M10 x 60/100	097206	097634	—	■	10	75	60	100	M 10	17	10
FHB II-A S M10 x 75/10	506884	506888	—	■	10	90	75	10	M 10	17	10
FHB II-A S M10 x 75/20	506885	506889	—	■	10	90	75	20	M 10	17	10
FHB II-A S M10 x 75/40	—	506890	—	■	10	90	75	40	M 10	17	10
FHB II-A S M10 x 75/60	506886	506891	—	■	10	90	75	60	M 10	17	10
FHB II-A S M10 x 75/100	506887	506892	—	■	10	90	75	100	M 10	17	10
FHB II-A S M12 x 75/10	097257	097635	—	■	12	90	75	10	M 12	19	10
FHB II-A S M12 x 75/25	097268	097636	097706 1)	■	12	90	75	25	M 12	19	10
FHB II-A S M12 x 75/40	—	097637	—	■	12	90	75	40	M 12	19	10
FHB II-A S M12 x 75/60	097274	097638	—	■	12	90	75	60	M 12	19	10
FHB II-A S M12 x 75/100	097275	097639	—	■	12	90	75	100	M 12	19	10
FHB II-A S M12 x 75/165	097280	097640	—	■	12	90	75	165	M 12	19	10
FHB II-A S M16 x 95/30	097281	097641	097708 1)	■	16	110	95	30	M 16	24	10
FHB II-A S M16 x 95/60	097286	097642	—	■	16	110	95	60	M 16	24	10
FHB II-A S M16 x 95/100	097295	097643	—	■	16	110	95	100	M 16	24	10
FHB II-A S M16 x 95/165	097296	097644	—	■	16	110	95	165	M 16	24	10
FHB II-A S M20 x 170/50	506917	506919	—	■	25	190	170	50	M 20	30	4
FHB II-A S M24 x 170/50	097297	097645	—	■	25	190	170	50	M 24	36	4

1) Delivery time on request.

TECHNICAL DATA



Highbond anchor **FHB II-A L** (long version)



Item	Zinc-plated steel	Stainless steel	Highly corrosion resistant steel	Approval ETA	Drill hole diameter	Drill hole depth	Anchorage depth	Usable length	Thread	Width across nut	Sales unit
	Art.-No.	Art.-No.	Art.-No.		d_0 [mm]	h_0 [mm]	h_{ef} [mm]	t_{fix} [mm]	M	○ SW [mm]	[pcs]
	gvz	A4	C								
FHB II-A L M8 x 60/10	097032	097298	097696 1)	■	10	75	60	10	M 8	13	10
FHB II-A L M8 x 60/30	097033	097299	—	■	10	75	60	30	M 8	13	10
FHB II-A L M8 x 60/50	097034	097440	—	■	10	75	60	50	M 8	13	10
FHB II-A L M10 x 95/10	096907	097616	—	■	12	110	95	10	M 10	17	10
FHB II-A L M10 x 95/20	096940	097617	097699 1)	■	12	110	95	20	M 10	17	10
FHB II-A L M10 x 95/40	—	097618	—	■	12	110	95	40	M 10	17	10
FHB II-A L M10 x 95/60	096941	097619	—	■	12	110	95	60	M 10	17	10
FHB II-A L M10 x 95/100	096942	097620	—	■	12	110	95	100	M 10	17	10
FHB II-A L M12 x 100/10	506893	506897	—	■	14	115	100	10	M 12	19	10
FHB II-A L M12 x 100/25	506894	506898	—	■	14	115	100	25	M 12	19	10
FHB II-A L M12 x 100/40	—	506899	—	■	14	115	100	40	M 12	19	10
FHB II-A L M12 x 100/50 GS A4	—	537065	—	■	14	115	100	50	M 12	19	10
FHB II-A L M12 x 100/60	506895	506901	—	■	14	115	100	60	M 12	19	10
FHB II-A L M12 x 100/100	506896	506902	—	■	14	115	100	100	M 12	19	10
FHB II-A L M12 x 120/10	096943	097621	—	■	14	135	120	10	M 12	19	10
FHB II-A L M12 x 120/25	096944	097622	097700 1)	■	14	135	120	25	M 12	19	10
FHB II-A L M12 x 120/40	—	097623	—	■	14	135	120	40	M 12	19	10
FHB II-A L M12 x 120/60	097014	097624	—	■	14	135	120	60	M 12	19	10
FHB II-A L M12 x 120/100	097031	097625	—	■	14	135	120	100	M 12	19	10
FHB II-A L M16 x 125/30	506903	506906	—	■	18	140	125	30	M 16	24	10
FHB II-A L M16 x 125/60	506904	506909	—	■	18	140	125	60	M 16	24	10
FHB II-A L M16 x 125/100	506905	506910	—	■	18	140	125	100	M 16	24	10
FHB II-A L M16 x 145/30	506911	506914	—	■	18	160	145	30	M 16	24	10
FHB II-A L M16 x 145/60	506912	506915	—	■	18	160	145	60	M 16	24	10
FHB II-A L M16 x 145/100	506913	506916	—	■	18	160	145	100	M 16	24	10
FHB II-A L M16 x 160/30	097035	097626	097702 1)	■	18	175	160	30	M 16	24	10
FHB II-A L M16 x 160/60	097038	097627	—	■	18	175	160	60	M 16	24	10
FHB II-A L M16 x 160/100	097070	097628	—	■	18	175	160	100	M 16	24	10
FHB II-A L M20 x 210/50	097071	097629	097703 1)	■	25	235	210	50	M 20	30	4
FHB II-A L M20 x 210/150	052370	—	—	■	25	235	210	150	M 20	30	8
FHB II-A L M24 x 210/50	506920	506921	—	■	25	235	210	50	M 24	36	4

1) Delivery time on request.

Superbond mortar FIS SB The concrete-allrounder

TECHNICAL DATA



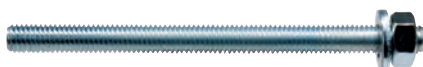
Superbond mortar **FIS SB 390 S**



Static mixer **FIS MR Plus**

Item	Art.-No.	Approval ETA	Languages on the cartridge	Scale unit	Contents	Sales unit [pcs]
FIS SB 390 S	519451	■	DE, FR, NL	180	1 cartridge 390 ml, 2 x FIS MR Plus	6
FIS SB 390 S	520557	■	DE, SL, SR, BG	180	1 cartridge 390 ml, 2 x FIS MR Plus	6
FIS SB 390 S	518831	■	EN, ES, PT	180	1 cartridge 390 ml, 2 x FIS MR Plus	6
FIS SB 390 S	519450	■	IT, EN, DE	180	1 cartridge 390 ml, 2 x FIS MR Plus	6
FIS SB 390 S	520559	■	DA, SV, NO, FI	180	1 cartridge 390 ml, 2 x FIS MR Plus	6
FIS SB 390 S	520555	■	CS, SK, RO	180	1 cartridge 390 ml, 2 x FIS MR Plus	6
FIS SB 390 S	520595	■	PL, RU, HU	180	1 cartridge 390 ml, 2 x FIS MR Plus	6
FIS SB 585 S	519452	■	EN, ES, PT	270	1 cartridge 585 ml + 2 x FIS UMR	6
FIS SB 585 S	520526	■	IT, EN, DE	270	1 cartridge 585 ml + 2 x FIS UMR	6
FIS SB HIGH SPEED 390 S	523303	■	PL, RU, HU	180	1 cartridge 390 ml, 2 x FIS MR Plus	6
FIS MR Plus	545853	—	—	—	10 static mixer FIS MR Plus	10
FIS UMR	520593	—	—	—	10 static mixer FIS UMR for 585 ml and 1500 ml cartridges	10

TECHNICAL DATA

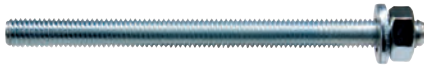


Threaded rod **FIS A**

Item	Zinc plated, steel grade 5.8	Zinc plated, steel grade 8.8	Stainless steel	Approval		Drill hole diameter d ₀ [mm]	Min. / max. anchorage depth [mm]	Min. / max. usable length [mm]	Min. / max. filling quantity FIS SB [scale units]	Sales unit [pcs]
	Art.-No. g vz	Art.-No. g vz	Art.-No. A4	ETA	ICC					
FIS A M 8 x 90	090274	519390	090440	■	▲	10	60 / 78	1 / 19	2 / 3	10
FIS A M 8 x 110	090275	519391	090441	■	▲	10	60 / 98	1 / 39	2 / 3	10
FIS A M 8 x 130	090276	519392	090442	■	▲	10	60 / 118	1 / 59	2 / 4	10
FIS A M 8 x 175	090277	519393	090443	■	▲	10	60 / 160	4 / 104	2 / 5	10
FIS A M 8 x 1000	509214 ¹⁾	—	509230 ¹⁾	■	▲	10	60 / 160	—	2 / 5	10
FIS A M 10 x 110	090278	—	090444	■	▲	12	60 / 96	1 / 37	3 / 4	10
FIS A M 10 x 130	090279	524170	090447	■	▲	12	60 / 116	1 / 57	3 / 5	10
FIS A M 10 x 150	090281	517935	090448	■	▲	12	60 / 136	1 / 77	3 / 5	10
FIS A M 10 x 170	044969	519395	044973	■	▲	12	60 / 156	1 / 97	3 / 6	10
FIS A M 10 x 190	—	517936	—	■	▲	12	60 / 176	1 / 117	3 / 7	10
FIS A M 10 x 200	090282	519396	090449	■	▲	12	60 / 186	1 / 127	3 / 7	10
FIS A M 10 x 1000	509215 ¹⁾	509223 ¹⁾	509231 ¹⁾	■	▲	12	60 / 200	—	3 / 7	10
FIS A M 12 x 120	044971	519397	044974	■	▲	14	70 / 103	1 / 34	3 / 5	10
FIS A M 12 x 140	090283	519398	090450	■	▲	14	70 / 123	1 / 54	3 / 6	10
FIS A M 12 x 160	090284	517937	090451	■	▲	14	70 / 143	1 / 74	3 / 7	10
FIS A M 12 x 180	090285	519399	090452	■	▲	14	70 / 163	1 / 94	3 / 7	10
FIS A M 12 x 200	—	517938	519421	■	▲	14	70 / 183	1 / 114	3 / 8	10
FIS A M 12 x 210	090286	—	090453	■	▲	14	70 / 193	1 / 124	3 / 9	10
FIS A M 12 x 260	090287	—	090454	■	▲	14	70 / 240	4 / 174	3 / 10	10
FIS A M 12 x 1000	509216 ¹⁾	509224 ¹⁾	509232 ¹⁾	■	▲	14	70 / 240	—	3 / 10	10
FIS A M 16 x 130	044972	519400	044975	■	▲	18	80 / 109	1 / 30	5 / 7	10
FIS A M 16 x 175	090288	519401	090455	■	▲	18	80 / 154	1 / 75	5 / 10	10
FIS A M 16 x 200	090289	517939	090456	■	▲	18	80 / 179	1 / 100	5 / 11	10
FIS A M 16 x 250	090290	517940	090457	■	▲	18	80 / 229	1 / 150	5 / 14	10

1) Order washer and nut separately.

TECHNICAL DATA



Threaded rod FIS A

Item	Zinc plated, steel grade 5.8	Zinc plated, steel grade 8.8	Stainless steel	Approval		Drill hole diameter d_0 [mm]	Min. / max. anchorage depth [mm]	Min. / max. usable length [mm]	Min. / max. filling quantity FIS SB [scale units]	Sales unit [pcs]
	Art.-No.	Art.-No.	Art.-No.	ETA	ICC					
	gvz	gvz	A4							
FIS A M 16 x 300	090291	519402	090458	■	▲	18	80 / 279	1 / 200	5 / 17	10
FIS A M 16 x 1000	509217 ¹⁾	509225 ¹⁾	509233 ¹⁾	■	▲	18	80 / 320	–	5 / 19	10
FIS A M 20 x 245	090292	519404	090459	■	▲	24	90 / 220	1 / 131	11 / 28	10
FIS A M 20 x 290	090293	519406	090460	■	▲	24	90 / 265	1 / 176	11 / 32	10
FIS A M 20 x 1000	–	519410 ¹⁾	519427 ¹⁾	■	▲	24	90 / 400	–	11 / 48	10
FIS A M 24 x 290	090294	–	090461	■	▲	28	96 / 260	1 / 165	15 / 39	5
FIS A M 24 x 380	090295	–	090462	■	▲	28	96 / 350	1 / 255	15 / 52	5
FIS A M 24 x 1000	533881	–	–	■	▲	28	96 / 480	–	15 / 69	10
FIS A M 30 x 430	090297	–	090464	■	▲	35	120 / 394	1 / 275	27 / 88	5

¹⁾ Order washer and nut separately.

Injection mortar FIS V

The versatile injection mortar for anchorings in cracked concrete and masonry

TECHNICAL DATA



Injection mortar FIS V 300 T



Injection mortar FIS V 360 S



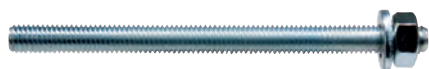
Injection mortar FIS V 410 C



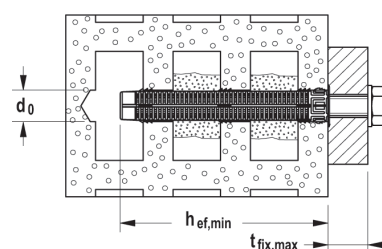
Static mixer FIS MR Plus

Item	Art.-No.	Approval			Languages on the cartridge	Scale unit	Contents	Sales unit [pcs]
		DIBt	ETA	ICC				
FIS V 300 T	531573	●	■	▲	USA, RA, BR, MEX	150	1 cartridge 300 ml, 2 x FIS MR Plus	12
FIS V 360 S	094404	●	■	▲	DE, FR, NL, TR, HU, AR	180	1 cartridge 360 ml, 2 x FIS MR Plus	6
FIS V 360 S	094405	●	■	▲	EN, IT, PT, ES, ZH, JA	180	1 cartridge 360 ml, 2 x FIS MR Plus	6
FIS V 360 S	068435	●	■	▲	DA, SV, NO, FI, PL, EL	180	1 cartridge 360 ml, 2 x FIS MR Plus	6
FIS V 360 S	502283	●	■	▲	LT, LV, ET, UK, RU, KK	180	1 cartridge 360 ml, 2 x FIS MR Plus	6
FIS V 360 S	043994	●	■	▲	CS, SK, PL, HU, RO, RU	180	1 cartridge 360 ml, 2 x FIS MR Plus	6
FIS V 410 C	521431	●	■	▲	IT, EN, DE	200	1 cartridge 410 ml, 2 x FIS MR Plus	16
FIS V 410 C	534880	●	■	▲	PL, LT, LV, ET, RU	200	1 cartridge 410 ml, 2 x FIS MR Plus	12
FIS V 410 C	538131	●	■	▲	USA, RA, BR, MEX	200	1 cartridge 410 ml, 2 x FIS MR Plus	12
FIS MR Plus	545853	–	–	–	–	–	10 static mixer FIS MR Plus	10

TECHNICAL DATA IN PERFORATED BRICK MASONRY



Threaded rod FIS A

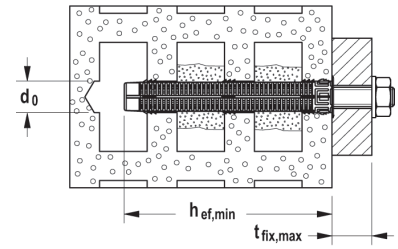


Item	Zinc plated, steel grade 5.8 Art.-No.	Zinc plated, steel grade 8.8 Art.-No.	Stainless steel Art.-No.	Approval ETA	Drill hole diameter in perforated brick masonry d_0 [mm]	Min. anchorage depth in perforated brick masonry $h_{ef,min}$ [mm]	Max. useful length in perforated brick masonry $t_{fix,max}$ [mm]	Suitable injection anchor sleeve	Sales unit [pcs]
	gvz	gvz	A4						
FIS A M 6 x 70	046204	—	—	■	12	50	11	FIS H 12 x 50 K	10
FIS A M 6 x 75	090243	—	090437	■	12	50	16	FIS H 12 x 50 K	20
FIS A M 6 x 85	090272	—	—	■	12	50	26	FIS H 12 x 50 K	20
FIS A M 6 x 110	090273	—	090439	■	12	50 85	52 17	FIS H 12 x 50 K FIS H 12 x 85 K	20
FIS A M 8 x 90	090274	519390	090440	■	12	50	29	FIS H 12 x 50 K	10
FIS A M 8 x 110	090275	519391	090441	■	12 12 16	50 85 85	49 14 14	FIS H 12 x 50 K FIS H 12 x 85 K FIS H 16 x 85 K	10
FIS A M 8 x 130	090276	519392	090442	■	12/16	50 85 85	69 34 34	FIS H 12 x 50 K FIS H 12 x 85 K FIS H 16 x 85 K	10
FIS A M 8 x 175	090277	519393	090443	■	12 12 16	50 85 85 130	114 79 79 34	FIS H 12 x 50 K FIS H 12 x 85 K FIS H 16 x 85 K FIS H 16 x 130 K	10
FIS A M 10 x 110	090278	—	090444	■	16	85	12	FIS H 16 x 85 K	10
FIS A M 10 x 130	090279	524170	090447	■	16	85	32	FIS H 16 x 85 K	10
FIS A M 10 x 150	090281	517935	090448	■	16	85 130	52 7	FIS H 16 x 85 K FIS H 16 x 130 K	10
FIS A M 10 x 170	044969	519395	044973	■	16	85 130	72 27	FIS H 16 x 85 K FIS H 16 x 130 K	10
FIS A M 10 x 190	—	517936	—	■	16	85 130	92 47	FIS H 16 x 85 K FIS H 16 x 130 K	10
FIS A M 10 x 200	090282	519396	090449	■	16	85 130	102 57	FIS H 16 x 85 K FIS H 16 x 130 K	10
FIS A M 12 x 120	044971	519397	044974	■	20	85	19	FIS H 20 x 85 K	10
FIS A M 12 x 140	090283	519398	090450	■	20	85	39	FIS H 20 x 85 K	10
FIS A M 12 x 160	090284	517937	090451	■	20	85 130	59 14	FIS H 20 x 85 K FIS H 20 x 130 K	10
FIS A M 12 x 180	090285	519399	090452	■	20	85 130	79 34	FIS H 20 x 85 K FIS H 20 x 130 K	10
FIS A M 12 x 200	—	517938	—	■	20	85 130	99 54	FIS H 20 x 85 K FIS H 20 x 130 K	10
FIS A M 12 x 210	090286	—	090453	■	20	85 130	109 64	FIS H 20 x 85 K FIS H 20 x 130 K	10
FIS A M 12 x 260	090287	—	090454	■	20	85 130 200	169 114 44	FIS H 20 x 85 K FIS H 20 x 130 K FIS H 20 x 200 K	10
FIS A M 16 x 130	044972	519400	044975	■	20	85	25	FIS H 20 x 85 K	10
FIS A M 16 x 175	090288	519401	090455	■	20	85 130	70 25	FIS H 20 x 85 K FIS H 20 x 130 K	10
FIS A M 16 x 200	090289	517939	090456	■	20	85 130	95 50	FIS H 20 x 85 K FIS H 20 x 130 K	10
FIS A M 16 x 250	090290	517940	090457	■	20	85 130 200	145 100 30	FIS H 20 x 85 K FIS H 20 x 130 K FIS H 20 x 200 K	10

TECHNICAL DATA IN PERFORATED BRICK MASONRY



Threaded rod **FIS A**



	Zinc plated, steel grade 5.8	Zinc plated, steel grade 8.8	Stainless steel	Approval	Drill hole diameter in perforated brick masonry d_0 [mm]	Min. anchorage depth in perforated brick masonry $h_{ef, min}$ [mm]	Max. useful length in perforated brick masonry $t_{fix, max}$ [mm]	Suitable injection anchor sleeve	Sales unit [pcs]
Item	Art.-No.	Art.-No.	Art.-No.	ETA					
	gvz	gvz	A4						
FIS A M 16 x 300	090291	519402	090458	■	20	85 130 200	195 150 80	FIS H 20 x 85 K FIS H 20 x 130 K FIS H 20 x 200 K	10

TECHNICAL DATA



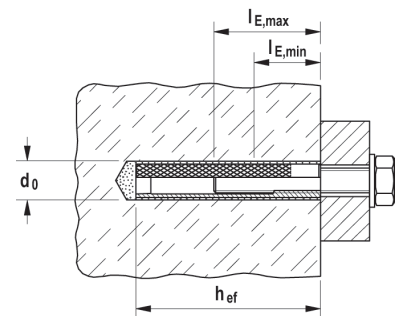
Injection anchor sleeve **FIS H K**

	Art.-No.	Approval	Drill hole diameter d_0 [mm]	Drill hole depth acc. ETA [mm]	Effect. anchorage depth h_{ef} [mm]	Match	Fill quantity per sleeve [scale units]	Sales unit [pcs]
Item		ETA						
FIS H 12 x 50 K	041900	■	12	55	50	FIS A M6-M8	5	50
FIS H 12 x 85 K	041901	■	12	90	85	FIS A M6-M8	10	50
FIS H 16 x 85 K	041902	■	16	90	85	FIS A M8-M10, FIS E M6-M8	12	50
FIS H 16 x 130 K	041903	■	16	135	110	FIS A M8-M10	15	20
FIS H 20 x 85 K	041904	■	20	90	85	FIS A M12-M16, FIS E M10-M12	15	20
FIS H 20 x 130 K	046703	■	20	135	110	FIS A M12-M16	25	20
FIS H 20 x 200 K	046704	■	20	205	180	FIS A M12-M16	40	20

TECHNICAL DATA IN SOLID BRICK MASONRY



Internal threaded sockets **FIS E**



	Zinc-plated steel	Approval	Drill hole diameter	Effect. anchorage depth	Min. bolt penetration	Max. bolt penetration	Fill quantity for effect. anchorage depth in solid brick masonry [scale units]	Sales unit [pcs]
Item	Art.-No.	ETA	d_0 [mm]	h_{ef} [mm]	$l_{E, min}$ [mm]	$l_{E, max}$ [mm]		
FIS E 11 x 85 M6	043631	■	14	85	6	60	4	10
FIS E 11 x 85 M8	043632	■	14	85	8	60	4	10
FIS E 15 x 85 M10	043633	■	18	85	10	60	5	10
FIS E 15 x 85 M12	043634	■	18	85	12	60	5	10

TECHNICAL DATA



FIS VL 300 T



FIS VL 410 C



FIS VL 410 C in bucket



Static mixer FIS MR Plus

Item	Art.-No.	Approval ETA	Languages on the cartridge	Scale unit	Contents	Sales unit [pcs]
FIS VL 300 T with clip	537149	■	PT, ES, EN	150	1 cartridge 300 ml, 2 x FIS MR Plus	12
FIS VL 300 T with clip	538583	■	CS, SK	150	1 cartridge 300 ml, 2 x FIS MR Plus	10
FIS VL 300 T HIGH SPEED with clip	538585	■	CS, SK	150	1 cartridge 380 ml, 2 x FIS MR Plus	10
FIS VL 300 T	539461	■	EN, FR, ES, PT, RO, AR	150	1 cartridge 300 ml, 2 x FIS MR Plus	12
FIS VL 300 T in bucket	539462	■	EN, FR, ES, PT, RO, AR	150	20 cartridges 300 ml, 40 x FIS MR Plus	1
FIS VL 300 T HWK big	538589	■	CS, SK	150	20 cartridges 300 ml, 40 x FIS MR Plus	1
FIS VL 410 C	539463	■	EN, FR, ES, PT, RO, AR	200	1 cartridge 410 ml, 2 x FIS MR Plus	12
FIS VL 410 C	538584	■	CS, SK	200	1 cartridge 410 ml, 2 x FIS MR Plus	12
FIS VL 410 C HIGH SPEED	538586	■	CS, SK	200	1 cartridges 410 ml, 1 x FIS MR Plus	12
FIS VL 410 C in bucket	538549	■	DE, FR, NL, EN, TR	200	16 cartridges 410 ml, 32 x FIS MR Plus	1
FIS VL 410 C in bucket	539464	■	EN, FR, ES, PT, RO, AR	200	16 cartridges 410 ml, 32 x FIS MR Plus	1
FIS VL 410 C HWK big	538590	■	CS, SK	200	16 cartridges 410 ml, 32 x FIS MR Plus	1
FIS MR Plus	545853	—	—	—	10 static mixer FIS MR Plus	10

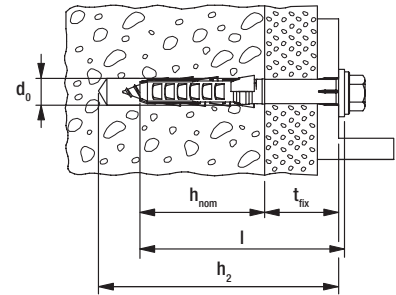
Frame fixing SXR

The efficient with short expansion element

TECHNICAL DATA



SXR-FUS - with fischer hexagon head safety screw, moulded washer and integrated T40 bit recess



	Zinc-plated steel	Stainless steel	Hot-dip galvanised steel	Approval	Drill hole diameter	Min. drill hole depth for through fixings	Min. anchorage depth	Anchor length	Max. fixture thickness	Drive	Sales unit
	Art.-No.	Art.-No.	Art.-No.	ETA	d_0 [mm]	h_2 [mm]	h_{nom} [mm]	l [mm]	t_{fix} [mm]		[pcs]
Item	gvz	A4	hdg								
SXR 10 x 52 FUS	502456 ¹⁾	—	—	■	10	62	50	52	2	T40/SW13	50
SXR 10 x 60 FUS	046329	046339	—	■	10	70	50	60	10	T40/SW13	50
SXR 10 x 60 FUS	—	—	509537	—	10	70	50	60	10	T40/SW13	50
SXR 10 x 80 FUS	046330	046340	—	■	10	90	50	80	30	T40/SW13	50
SXR 10 x 80 FUS	—	—	509538	—	10	90	50	80	30	T40/SW13	50
SXR 10 x 100 FUS	046331	046342	—	■	10	110	50	100	50	T40/SW13	50
SXR 10 x 100 FUS	—	—	509539	—	10	110	50	100	50	T40/SW13	50
SXR 10 x 120 FUS	046332	046343	—	■	10	130	50	120	70	T40/SW13	50
SXR 10 x 140 FUS	046333	046344	—	■	10	150	50	140	90	T40/SW13	50
SXR 10 x 140 FUS	—	—	509540	—	10	150	50	140	90	T40/SW13	50
SXR 10 x 160 FUS	046334	046345	—	■	10	170	50	160	110	T40/SW13	50
SXR 10 x 180 FUS	046335	046361	—	■	10	190	50	180	130	T40/SW13	50
SXR 10 x 200 FUS	046336	046362	—	■	10	210	50	200	150	T40/SW13	50
SXR 10 x 230 FUS	046337	046363	—	■	10	240	50	230	180	T40/SW13	50
SXR 10 x 260 FUS	046338	046364	—	■	10	270	50	260	210	T40/SW13	50

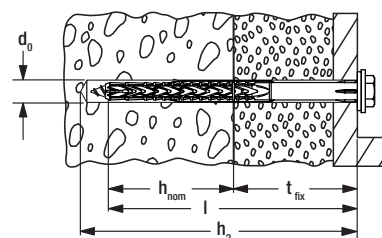
1) not pre-assembled

Frame fixing SXRL The versatile with multiple anchorage depth

TECHNICAL DATA



SXRL-FUS - with fischer hexagon head safety screw, moulded washer and integrated bit recess



Item	Zinc-plated steel	Stainless steel	Approval		Drill diameter	Min. drill hole depth for through fixings	Usable length at anchorage depth 50mm	Usable length at anchorage depth 70mm	Usable length at anchorage depth 90mm	Anchor length	Drive	Sales unit
	Art.-No.	Art.-No.	ETA	DIBt	d_0 [mm]	h_2 [mm]	t_{fix} [mm]	t_{fix} [mm]	t_{fix} [mm]	l [mm]		[pcs]
	gvz	A4										
SXRL 10 x 60 FUS	546506	546507	■	—	10	70	10	—	—	60	T40/SW13	50
SXRL 10 x 80 FUS	522719	522730	■	●	10	90	30	10	—	80	T40/SW13	50
SXRL 10 x 100 FUS	522720	522731	■	●	10	110	50	30	10	100	T40/SW13	50
SXRL 10 x 120 FUS	522721	522732	■	●	10	130	70	50	30	120	T40/SW13	50
SXRL 10 x 140 FUS	522723	522733	■	●	10	150	90	70	50	140	T40/SW13	50
SXRL 10 x 160 FUS	522724	522734	■	●	10	170	110	90	70	160	T40/SW13	50
SXRL 10 x 180 FUS	522725	522735	■	●	10	190	130	110	90	180	T40/SW13	50
SXRL 10 x 200 FUS	522726	522736	■	●	10	210	150	130	110	200	T40/SW13	50
SXRL 10 x 230 FUS	522727	522737	■	●	10	240	180	160	140	230	T40/SW13	50
SXRL 10 x 260 FUS	522728 ¹⁾	522738 ¹⁾	■	●	10	270	210	190	170	260	T40/SW13	50
SXRL 10 x 290 FUS	522729 ¹⁾	522739 ¹⁾	■	●	10	300	240	220	200	290	T40/SW13	50
SXRL 14 x 80 FUS	530946	530955	■	●	14	95	—	10	—	80	T50/SW17	50
SXRL 14 x 100 FUS	530947	530956	■	●	14	115	—	30	10	100	T50/SW17	50
SXRL 14 x 120 FUS	530948	530957	■	●	14	135	—	50	30	120	T50/SW17	50
SXRL 14 x 140 FUS	530949	530958	■	●	14	155	—	70	50	140	T50/SW17	50
SXRL 14 x 160 FUS	530950	530959	■	●	14	175	—	90	70	160	T50/SW17	50
SXRL 14 x 180 FUS	530951	530960	■	●	14	195	—	110	90	180	T50/SW17	50
SXRL 14 x 200 FUS	530952	530961	■	●	14	215	—	130	110	200	T50/SW17	50
SXRL 14 x 230 FUS	530953	530962	■	●	14	245	—	160	140	230	T50/SW17	50
SXRL 14 x 260 FUS	530954	530963	■	●	14	275	—	190	170	260	T50/SW17	50

1) not pre-assembled

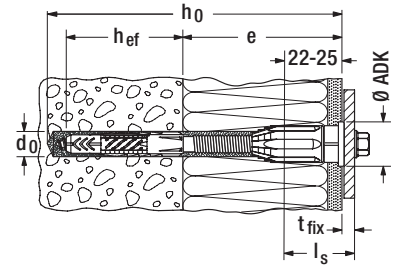
Stand-off installation Thermax 8/10

The thermally separated stand-off installation in external thermal insulation composite systems (ETICS)

TECHNICAL DATA



Thermax 8 and 10



Item	Art.-No.	Drill hole diameter d_0 [mm]	Drill hole depth h_0 [mm]	Usable length e [mm]	Anchorage depth h_{ef} [mm]	Cover cap- \varnothing ADK [mm]	Width across nut $\varnothing SW$ [mm]	Chipboard / metric / sheet metal screw	Sales unit [pcs]
Thermax 8/60 M6	045685 1) 2)	10	120	45 - 60	60	18	10	4,5 - 6,0 / M6 / 6,3	20
Thermax 8/80 M6	045686 1) 2)	10	140	60 - 80	60	18	10	4,5 - 6,0 / M6 / 6,3	20
Thermax 8/100 M6	045687 1) 2)	10	160	80 - 100	60	18	10	4,5 - 6,0 / M6 / 6,3	20
Thermax 8/120 M6	045688 1) 2)	10	180	100 - 120	60	18	10	4,5 - 6,0 / M6 / 6,3	20
Thermax 8/140 M6	045689 1) 2)	10	200	120 - 140	60	18	10	4,5 - 6,0 / M6 / 6,3	20
Thermax 8/160 M6	045690 1) 2)	10	220	140 - 160	60	18	10	4,5 - 6,0 / M6 / 6,3	20
Thermax 8/180 M6	045691 1) 2)	10	240	160 - 180	60	18	10	4,5 - 6,0 / M6 / 6,3	20
Thermax 10/100 M6	045692 1) 2)	12	160	80 - 100	70	22	13	4,5 - 6,0 / M6 / 6,3	20
Thermax 10/120 M6	045693 1) 2)	12	180	100 - 120	70	22	13	4,5 - 6,0 / M6 / 6,3	20
Thermax 10/140 M6	045694 1) 2)	12	200	120 - 140	70	22	13	4,5 - 6,0 / M6 / 6,3	20
Thermax 10/160 M6	045695 1) 2)	12	220	140 - 160	70	22	13	4,5 - 6,0 / M6 / 6,3	20
Thermax 10/180 M6	045696 1) 2)	12	240	160 - 180	70	22	13	4,5 - 6,0 / M6 / 6,3	20
Thermax 10/200 M6	512605 1) 2)	12	260	180 - 200	70	22	13	4,5 - 6,0 / M6 / 6,3	20
Thermax 10/220 M6	514250 1) 2)	12	280	200 - 220	70	22	13	4,5 - 6,0 / M6 / 6,3	20
Thermax 10/240 M6	514251 1) 2)	12	300	220 - 240	70	22	13	4,5 - 6,0 / M6 / 6,3	20
Thermax 10/100 M8	045697 2)	12	160	80 - 100	70	22	13	M8	20
Thermax 10/120 M8	045698 2)	12	180	100 - 120	70	22	13	M8	20
Thermax 10/140 M8	045699 2)	12	200	120 - 140	70	22	13	M8	20
Thermax 10/160 M8	045700 2)	12	220	140 - 160	70	22	13	M8	20
Thermax 10/180 M8	514252 2)	12	240	160 - 180	70	22	13	M8	20
Thermax 10/200 M8	514253 2)	12	260	180 - 200	70	22	13	M8	20
Thermax 10/220 M8	514254 2)	12	280	200 - 220	70	22	13	M8	20
Thermax 10/240 M8	514255 2)	12	300	220 - 240	70	22	13	M8	20
Thermax 10/100 M10	045702 2)	12	160	80 - 100	70	22	13	M10	20
Thermax 10/120 M10	045703 2)	12	180	100 - 120	70	22	13	M10	20
Thermax 10/140 M10	045704 2)	12	200	120 - 140	70	22	13	M10	20
Thermax 10/160 M10	045705 2)	12	220	140 - 160	70	22	13	M10	20
Thermax 10/180 M10	514256 2)	12	240	160 - 180	70	22	13	M10	20
Thermax 10/200 M10	514257 2)	12	260	180 - 200	70	22	13	M10	20
Thermax 10/220 M10	514258 2)	12	280	200 - 220	70	22	13	M10	20
Thermax 10/240 M10	514259 2)	12	300	220 - 240	70	22	13	M10	20

1) including SX 5

2) Min. screw length $l_s = 22\text{mm} + \text{thickness of mounting member } e$; for use in wood without universal plug UX, consider drill hole diameter in footnote under load table.

Stand-off installation Thermax 12/16

The approved stand-off installation with thermal barrier in external thermal insulation composite systems (ETICS)

TECHNICAL DATA



Thermax 12/110 M12



Thermax 16/170 M12

Item	Zinc-plated steel	Stainless steel	Approval DIBt	Contents	Sales unit [pcs]
	Art.-No. gvz	Art.-No. A4			
Thermax 12/110 M12	051291	—	●	20 Thermax M12, 20 perforated sleeves 20 x 130, 5 bits, 5 cutting blades, 5 user manuals	20
Thermax 12/110 M12	—	051537	●	10 Thermax M12 A4, 10 perforated sleeves 20 x 130, 3 bits, 3 cutting blades, 3 user manuals	10
Thermax 12/110 M12 B	051290	—	●	2 Thermax M12, 2 perforated sleeves 20 x 130, 1 bit, 1 cutting blade, 1 user manual	1
Thermax 16/170 M12	051293	—	●	20 Thermax M16, 20 perforated sleeves 20 x 200, 5 bits, 5 cutting blades, 5 applicator tip extension hoses, 5 user manuals	20
Thermax 16/170 M12	—	051543	●	10 Thermax M16 A4, 10 perforated sleeves 20 x 200, 3 bits, 3 cutting blades, 3 applicator tip extension hoses, 3 user manuals	10
Thermax 16/170 M12 B	051292	—	●	2 Thermax M16, 2 perforated sleeves 20 x 200, 1 bit, 1 cutting blade, 1 applicator tip extension hose, 1 user manual	1

DUOPOWER

The duo of power and intelligence

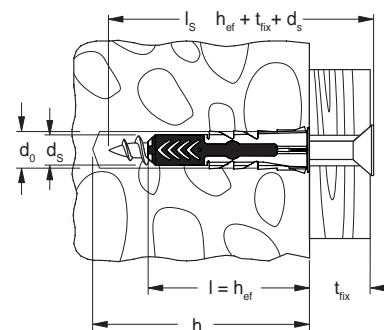
TECHNICAL DATA



DUOPOWER



DUOPOWER with greater anchorage depth



Item	Art.-No. without screw	Art.-No. with screw	Drill hole diameter	Min. drill hole depth	Min. panel thickness	Min. bolt penetra- tion	Anchor length	Wood and chipboard screws	Drive	Max. fixture thickness	Sales unit
			d_0 [mm]	h_1 [mm]	d_p [mm]	$l_{E,min}$ [mm]	l [mm]	$d_s / d_s \times l_s$ [mm]	t_{fix} [mm]	[pcs]	
DUOPOWER 5 x 25	555005	—	5	35	12,5	29	25	3 - 4	—	—	100
DUOPOWER 6 x 30	555006	—	6	40	12,5	35	30	4 - 5	—	—	100
DUOPOWER 6 x 50	538240	—	6	60	12,5	55	50	4 - 5	—	—	100
DUOPOWER 8 x 40	555008	—	8	50	12,5	46	40	4,5 - 6	—	—	100
DUOPOWER 8 x 65	538241	—	8	75	2 x 12,5	71	65	4,5 - 6	—	—	50
DUOPOWER 10 x 50	555010	—	10	70	12,5	58	50	6 - 8	—	—	50
DUOPOWER 10 x 80	538242	—	10	100	—	88	80	6 - 8	—	—	25
DUOPOWER 12 x 60	538243	—	12	80	—	70	60	8 - 10	—	—	25
DUOPOWER 14 x 70	538244	—	14	90	—	82	70	10 - 12	—	—	20
DUOPOWER 5 x 25 S	—	555105	5	40	12,5	29	25	4 x 35	PZ2	6	50
DUOPOWER 6 x 30 S	—	555106	6	45	12,5	35	30	4,5 x 40	PZ2	5	50
DUOPOWER 6 x 50 S	—	538245	6	75	12,5	55	50	4,5 x 70	PZ2	15	50
DUOPOWER 8 x 40 S	—	555108	8	65	12,5	45	40	5 x 60	PZ2	15	50
DUOPOWER 8 x 65 S	—	538246	8	85	2 x 12,5	70	65	5 x 80	PZ2	10	25
DUOPOWER 10 x 50 S	—	555110	10	74	12,5	57	50	7 x 69	SW 13 / TX 40	13	25
DUOPOWER 10 x 80 S	—	538247	10	112	—	87	80	7 x 107	SW 13	20	10
DUOPOWER 12 x 60 S	—	538248	12	85	—	68	60	8 x 80	SW 13	12	10
DUOPOWER 14 x 70 S	—	538249	14	100	—	80	70	10 x 95	SW 17	15	8

Universal plug UX The nylon plug for all building materials

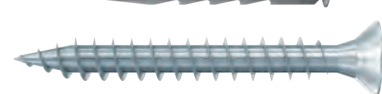
TECHNICAL DATA



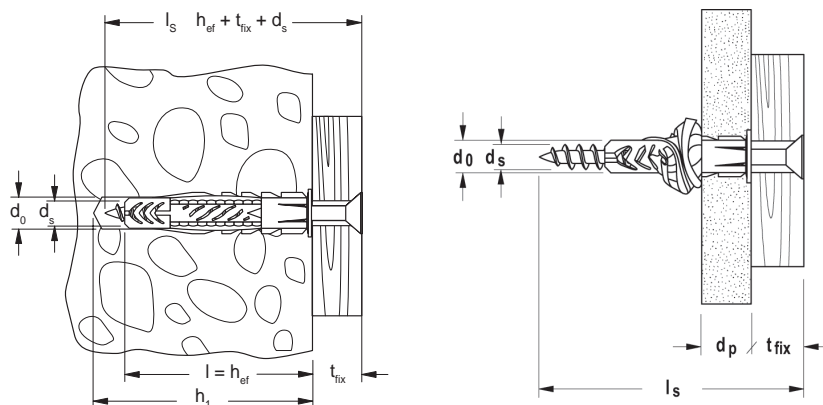
UX - without rim



UX R - with rim



UX R S - with rim and screw



	Without rim	With rim	With rim and screw	Drill hole diameter d_0 [mm]	Min. drill hole depth h_1 [mm]	Min. panel thickness d_p [mm]	Anchor length l [mm]	Wood and chip-board screws $d_s / d_s \times l_s$ [mm]	Max. fixture thickness t_{fix} [mm]	Sales unit [pcs]
Item	UX	UX R	UX R S							
UX 5 x 30	094721	094722	—	5	40	9,5	30	3 - 4	—	100
UX 6 x 35	062754	062756	—	6	45	9,5	35	4 - 5	—	100
UX 6 x 35	—	—	094758	6	65	9,5	35	4,5 x 60	20	25
UX 6 x 50	072094	072095	—	6	60	9,5	50	4 - 5	—	100
UX 6 x 50	—	—	094759	6	80	9,5	50	4,5 x 75	20	25
UX 8 x 40	—	505483	—	8	50	9,5	40	4,5 - 6	—	100
UX 8 x 50	077869	077870	—	8	60	9,5	50	4,5 - 6	—	100
UX 8 x 50	—	—	094762	8	75	9,5	50	5 x 70	15	25
UX 8 x 50	—	—	094760	8	85	9,5	50	5 x 80	25	25
UX 10 x 60	077871	077872	—	10	75	12,5	60	6 - 8	—	50
UX 10 x 60	094761 ¹⁾	—	—	10	90	12,5	60	6 x 85	20	10
UX 12 x 70	062758	—	—	12	85	—	70	8 - 10	—	25
UX 14 x 75	062757	—	—	14	95	—	75	10 - 12	—	20

1) with screw

Expansion plug SX

The powerful nylon plug with 4-way expansion

TECHNICAL DATA



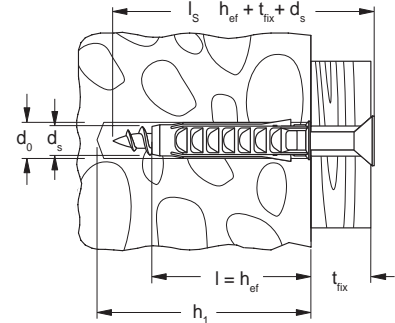
Plug **SX** with rim



Plug **SX** - with greater anchorage depth, without rim



Plug **SX S** with rim and screw



	With rim	With greater anchorage depth, without rim	With rim and screw	Drill hole diameter	Min. drill hole depth	Anchor length	Wood and chip-board screws	Max. fixture thickness	Sales unit
	Art.-No.	Art.-No.	Art.-No.	d_0 [mm]	h_1 [mm]	l [mm]	$d_s / d_s \times l_s$ [mm]	t_{fix} [mm]	[pcs]
Item	SX	SX	SX S						
SX 4 x 20	070004	—	—	4	25	20	2 - 3	—	200
SX 5 x 25	070005	—	—	5	35	25	3 - 4	—	100
SX 6 x 30	070006	—	—	6	40	30	4 - 5	—	100
SX 6 x 30	—	—	070021	6	45	30	4,5 x 40	5	50
SX 6 x 50	078185	024827	—	6	60	50	4 - 5	—	100
SX 8 x 40	070008	—	—	8	50	40	4,5 - 6	—	100
SX 8 x 40	—	—	070022	8	65	40	5 x 60	15	50
SX 8 x 65	—	024828	—	8	75	65	4,5 - 6	—	50
SX 10 x 50	070010	—	—	10	70	50	6 - 8	—	50
SX 10 x 80	—	024829	—	10	95	80	6 - 8	—	25
SX 12 x 60	070012	—	—	12	80	60	8 - 10	—	25
SX 14 x 70	070014	—	—	14	90	70	10 - 12	—	20
SX 16 x 80	070016	—	—	16	100	80	12 (1/2")	—	10

One-component gun foam

The gun foam with proven joint sound insulation

TECHNICAL DATA



Item	Art.-No.	Content per can		Max. foam yield (free foaming)	Colour	Sales unit
		[ml]	[l]			
PUP 750 B3 (EN)	058501	750	41		beige	12
PUP 750 B3 GunGrade (EN/FR)	098012	750	41		beige	12

2-component premium rapid foam

The high-quality 2-component rapid foam for fast and secure fixation with optimized activation system

TECHNICAL DATA



Item	Art.-No.	Content per can		Max. foam yield (free foaming)	Sales unit
		[ml]	[l]		
2K PU 400 PLUS	546322	400	10		12

1-component fast bonding foam

The high-quality rapid installation foam with resistance of water pressure for professionals

TECHNICAL DATA



Item	Art.-No.	Content per can		Max. foam yield (free foaming)	Colour	Sales unit
		[ml]	[l]			
PU 1/750 B3 HandHeld (EN/FR)	098011	750	41		beige	12
PU 750 B3 (EN/FR/AR)	050427	750	41		beige	12

Premium sanitary silicone DSSA

The high-quality premium sanitary silicone

TECHNICAL DATA



Item		Colour	Contents [ml]	Sales unit [pcs]
DSSA TP (DE/EN)	053100	transparent	310	12
DSSA W (DE/EN)	053101	white	310	12
DSSA GR (DE/EN)	053102	grey	310	12
DSSA BG (DE/EN)	053103	bahama beige	310	12
DSSA DG (DE/EN)	053105	dark grey	310	12
DSSA SW (DE/EN)	053120	black	310	12
DSSA SG (DE/EN)	058530	silver grey	310	12
DSSA FUG (DE/EN)	512208	joint grey	310	12
DSSA SAG (DE/EN)	512209	sanitary grey	310	12
DSSA MA (DE/EN)	512210	manhattan	310	12
DSSA AN (DE/EN)	512211	anthracite	310	12

Premium construction silicone DBSA

The low-odour premium construction silicone with high adhesive spectrum for metal processors

TECHNICAL DATA



Item		Colour	Contents [ml]	Sales unit [pcs]
DBSA TP (DE/EN)	053090	transparent	310	12
DBSA W (DE/EN)	053091	white	310	12
DBSA GR (DE/EN)	053092	concrete grey	310	12
DBSA SW (DE/EN)	053094	black	310	12
DBSA ANG (DE/EN)	540084	anthracite	310	12

Construction sealant Premium DKM

The universal hybrid sealant/adhesive for indoor and outdoor use and HVAC systems

TECHNICAL DATA



Item		Colour	Contents [ml]	Sales unit [pcs]
DKM-290 ML white (DE/EN)	517598	white	290	12
DKM-290 ML grey (DE/EN)	517599	grey	290	12
DKM-290 ML black (DE/EN)	517600	black	290	12
DKM-290 ML transparent (DE/EN)	533830	crystal clear	290	12

Premium all-weather sealant DDK

The permanently elastic joint sealant with a strong hold on all substrates

TECHNICAL DATA



Item	Art.-No.	Colour	Contents [ml]	Sales unit [pcs]
DDK TR (DE/EN)	049103	transparent	310	12

Flexible power adhesive premium HTM

Flexible high-performance adhesive with really high initial adhesion to many absorbent and non-absorbent substrates

TECHNICAL DATA



Item	Art.-No.	Contents [ml]	Type of packaging	Colour	Sales unit [pcs]
HTM WH 290 (DE/EN)	541712	290	Cartridge	white	12

Zinc Spray FTC-ZS / Zinc Spray bright grade FTC-ZA

Fast-drying surface and corrosion protection with outstanding long-term effect for metals. FTC-ZA is ideal for repairing damaged zinc coatings with colour-matched corrosion protection (RAL 9006).

TECHNICAL DATA



FTC-ZS



FTC-ZA

Item	Art.-No.	Contents [ml]	Sales unit [pcs]
FTC-ZS (EN/FR/ES/PT)	509242	400	12
FTC-ZA (EN/FR/ES/PT)	509241	400	12

Accessories

TECHNICAL DATA



PUPM 3



PUPM 4 BLACK

Item	Art.-No.	Sales unit [pcs]
PUP M3	033208	1
PUP M4 BLACK	513429	1

TECHNICAL DATA



Item	Art.-No.	Contents [ml]	Sales unit [pcs]
PUR 500 (DE/EN)	053085	500	12

TECHNICAL DATA



Skeleton dispenser KP M1



Dispenser KP M3



Dispenser FIS DM S

Item	Art.-No.	Sales unit [pcs]
KP M1	053115	1
KP M3	541441	1
FIS DM S	511118	1

TECHNICAL DATA



Pneumatic dispenser FIS DP S-XL



Dispenser FIS DM S-L



Dispenser FIS AC

Item	Art.-No.	Sales unit [pcs]
FIS DP S-XL	512401	1
FIS DM S-L	510992	1
FIS AC	096497	1

TECHNICAL DATA



Blow-out pump **AB G**

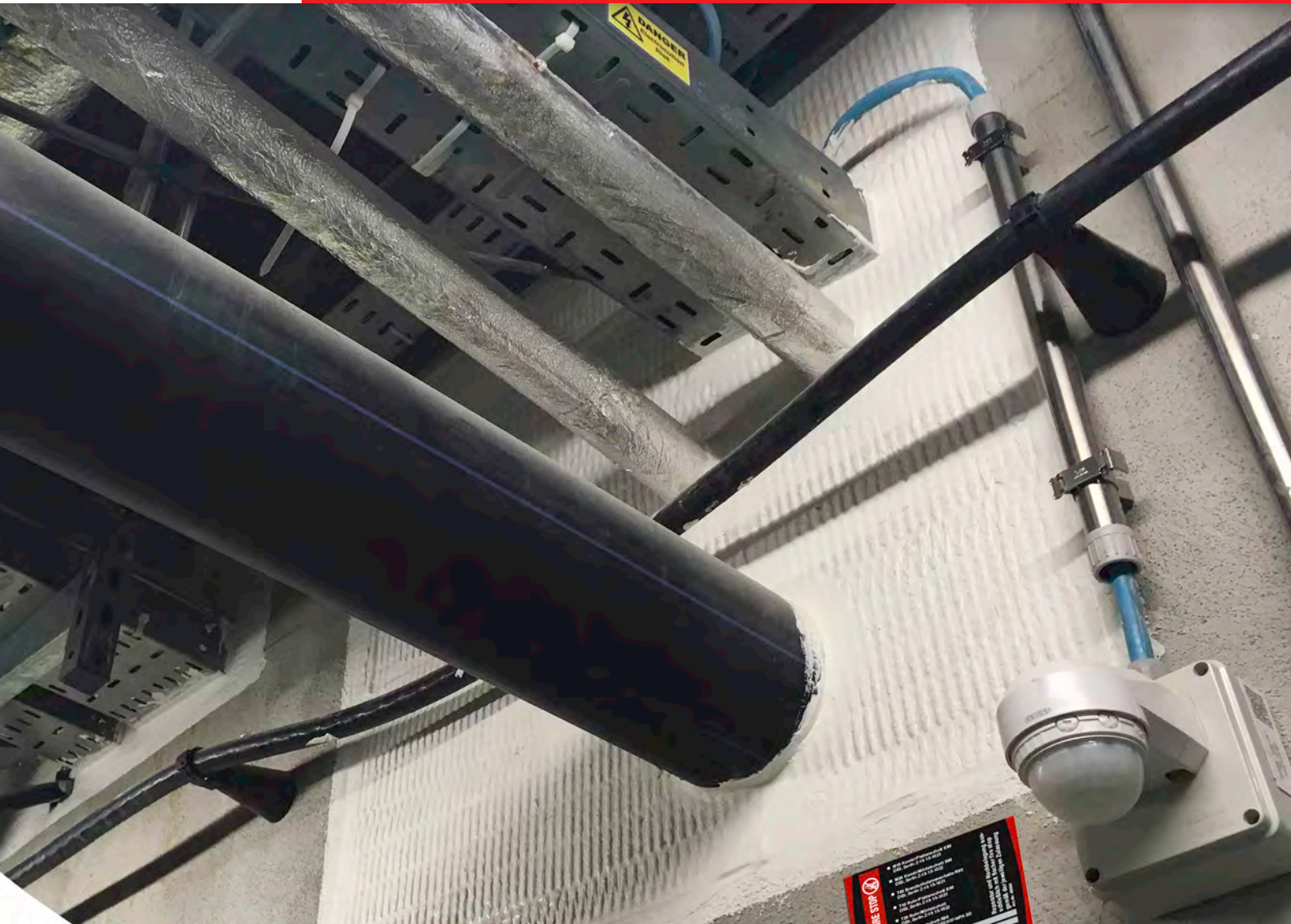
Item	Art.-No.		Sales unit [pcs]
Blow-out pump AB G	089300		1

ACCESSORIES DRILL HOLE CLEANING



Cleaning brush **BS**

Item	Art.-No.	Brush diameter [mm]	For drill diameter [mm]	Sales unit [pcs]
BS ø 8	078177	9	8	1
BS ø 10	078178	11	10	1
BS ø 12	078179	13	12	1
BS ø 14	078180	16	14	1
BS ø 16/18	078181	20	16/18	1
BS ø 24	078182	26	24	1
BS ø 28	078183	30	28	1
BS ø 35	078184	40	30/32/35	1



9 Fire protection systems FireStop

	Page
Intumescent acoustic mastic FiAM	340
Fire collar FFC	342
Cable coating FCC	344
Foam barrier system PLUS	346



Flexible fire resistant acoustic mastic



Construction joints



Non combustible services

BUILDING MATERIALS

- Flexible wall constructions
- Rigid floor and wall constructions
- Masonry
- Concrete
- Timber
- Steel
- FCPS System

ASSESSMENT/APPROVAL



British Standard

BS 476 - 20

BS EN ISO 10140-3:1995

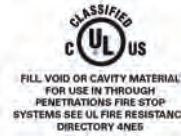
BS EN 1026

BS EN 1366-4

BS EN 1366-3



Approved CF 5034



ADVANTAGES

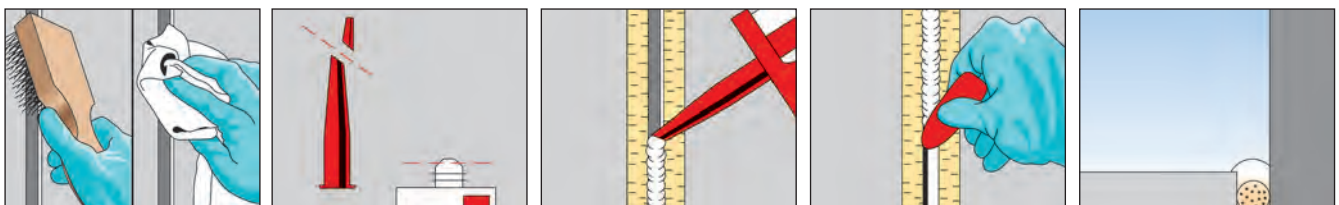
- Water based
- Low VOC
- Movement capability $\pm 25\%$
- Excellent acoustic properties
- Approved for infinite linear gap length
- Halogen and solvent free
- Paintable and excellent slump characteristics

APPLICATIONS

- Metallic pipes: 6" (159 mm)
- Cable trays: 18" x 2" (450 x 50 mm)
- Cable bunches: 3" (80 mm)
- Linear joints: flexible and rigid construction elements
- Joints between FCPS coated panel system

FUNCTIONING

- FiAM is a one-part water-based acrylic emulsion.
- It has a fire resistance of up to 5 hours when used in construction joints and services in both vertical and horizontal applications.
- When exposed to fire, it reacts to form a highly insulative char that slows down heat transfer and provides a barrier to fire seal.
- It is suitably compatible in a variety of materials, and is utilised within the FCPS which is designed to seal large openings in fire rated floors and walls.



INSTALLATION

1. Clean all surfaces free from loose debris and contaminants and install required backing material.
2. Apply FiAM to required parameters as per approved system, making sure that it is in contact with all surfaces to provide maximum adhesion.
3. Tool sealant to a defect-free finish using a wetted trowel or putty knife.

SPECIFICATIONS

Item	Art.-No.	Languages on the cartridge	Contents [ml]	Suitable for use with	Sales unit [pcs]
FiAM 310 (DE,FR,EN,NL)	053011	DE, FR, EN, NL	310	–	25
FiAM 310 (DK,FI,SE,NO)	538152	DK, FI, SE, NO	310	–	25
FiAM 310 (TR,PT,ES,IT)	538150	TR, PT, ES, IT	310	–	25
FiAM 310 (PL,SK,CZ,HU)	538151	PL, SK, CZ, HU	310	–	25
FiAM 600	056006	–	600	–	25
KP M2	053117	–	–	FiAM 310, FFRS 310, UFS 310, FiGM 310	1
Applicator gun 600 ml	097967	–	–	FiAM 600	1

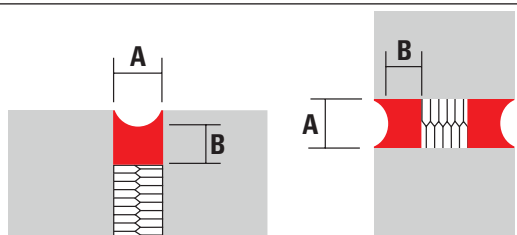
All items are available in grey and are subject to minimum order requirement.

TECHNICAL DATA

Chemical base	Water-based acrylic
Relative gravity	Approx 1.6 g/cm ³
Skin-forming time	Approx 10 minutes at 23 °C RH
Curing rate	Approx 1.5 mm per 24 hours*
Storage temperature	+5 °C to +25 °C
Movement capability	± 25 %
Slump	Nil up to 30 mm
Shelf-life	18 months (under recommended conditions)
pH Value	08.09.2005
Sound transmission class	63 dB
Yield per l/m	1.55 yield per linear metre
Colour	White, grey
European Technical Approval	ETA 14-0378, ETA 14-0379
CE marking	1121-CPR-JA5044

* Curing rate is dependent on substrate, air humidity and weather conditions.

APPLICATION DATA

	Joint width A [mm]	Joint depth B [mm]	Yield per linear metres
	30	20	0.5
20	15	1	
15	8	1.25	
10	10	3	
6	6	4.25	

Substrate	Max. joint width [mm]	Fire ratings	
		Integrity rating [minutes]	Insulation rating [minutes]
Concrete/concrete	60	240	240
Brick/concrete	25	240	30
Steel/blockwork	50	300	90
Hardwood/blockwork	50	60	60
Softwood/blockwork	25	30	30
Drywall/concrete/head detail	20	120	120

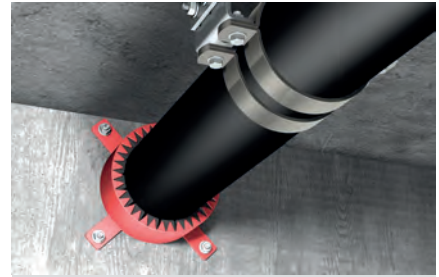
Service type size		Fire ratings	
		Integrity rating [minutes]	Insulation rating [minutes]
Copper/steel/metal pipes	14 - 159 mm diam.	Up to 120	Up to 90
Loaded cable tray	450 x 50 (tray) cables to 21 mm	Up to 120	Up to 90
Single/bunched cables	30 - 80 mm diam. cables	Up to 90	Up to 90

* Copper, steel and metal pipes with an insulation rating of up to 90 minutes are in conjunction with the Thermal Defense Wrap (TDW).

Collar for sealing a wide range of combustibile pipes where passing through fire rated walls and floors



Floor application



Wall applications

BUILDING MATERIALS

- Flexible and rigid wall constructions
- Solid concrete floors
- Hollow precast floors

ASSESSMENT/APPROVAL



British Standard

BS 476 - 20

BS EN 1366-3



ADVANTAGES

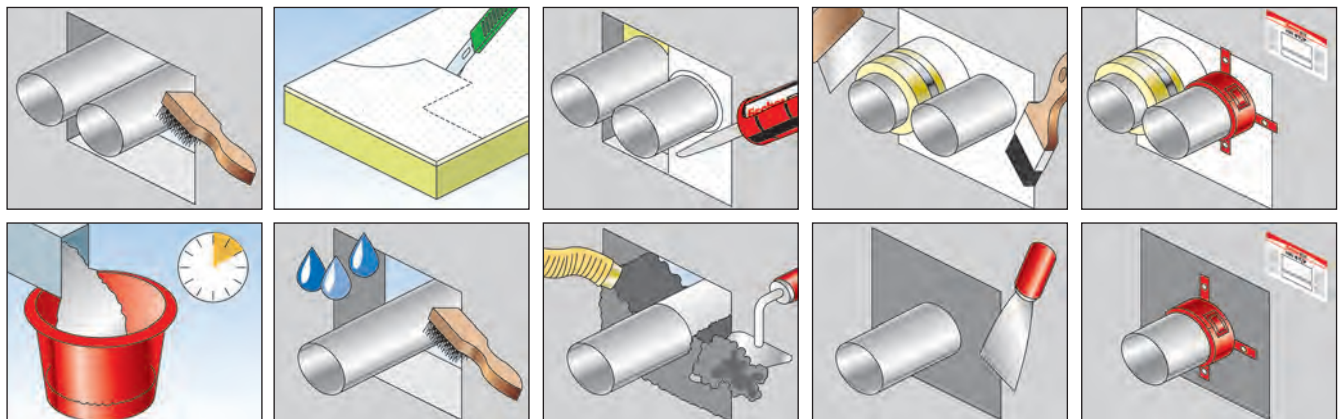
- Easy retrofit at any time
- Water resistant
- No minimum annular service required
- Pre-fixed attachment lugs
- Fold back tag for secure fixture around pipe

APPLICATIONS

- Non-metallic pipes: like PVC, HDPE, MDPE, ABS of various sizes through fire rated walls and floor assemblies

FUNCTIONING

- FFC is a powder coated cylindrical steel sleeve, which contains a heat reactive graphite-based intumescent material that expands during fire.
- Designed to be securely fitted around the pipe and held in position with a retaining bolt.
- Any gaps up to 10 mm around FFC should be backfilled with FiAM or larger annular space should be closed with FCPS or FFSC.



INSTALLATION

1. Clean all contact surfaces so they are free from loose debris and contaminants.
2. Ensure services are sufficiently supported as per approved system or local building codes.
3. Close the annular space as per requirement with FiAM, FCPS or FFSC and choose the correct size of FFC in accordance with the pipe diameter.
4. Open the toggle clip, place FFC around the pipe with its fixing lugs pointing towards the building element.
5. Lock the toggle clip and push it tightly against the surface of building element.
6. Attach the collar to the building element through the mounting lugs with a minimum anchoring depth of 32 mm and minimum 8 mm diameter fixing (please refer to fischer fire rated fixing section for correct anchor).
7. For vertical applications, repeat installation on both sides as per the instruction in the approved system.

SPECIFICATIONS

Item	Art.-No.	Dimensions [mm / inch]	Sales unit [pcs]
FFC 2/30-32	052456	30 - 32	32
FFC 2/38-40	052480	38 - 40	32
FFC 2/55	052481	55	100
FFC 2/63	052482	63	50
FFC 2/75	052483	75	50
FFC 2/82	052486	82	50
FFC 2/90	052487	90	40
FFC 2/110	052488	110	40
FFC 2/125	052489	125	25
FFC 2/160	052500	160	10
FFC 2/200	052501	200	10

Details on larger sizes up to 400 mm and 4 hours fire rated collars are available on request.
Smaller sales units available on request.

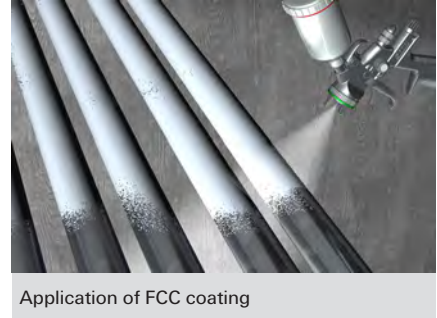
TECHNICAL DATA

State	Solid
Colour	Red sleeve with black inner component
Odour	Odourless
Fire rating	Up to 4 hours
Available sizes	> 30 mm and max up to 200 mm
Significant expansion occurs at temperature	> 180 °C
Storage temperature	N/a
Shelf life	N/a

Ablative firestop coating design to prevent the propagation of fire along internal and external electrical cable



Cable assignment through wall



Application of FCC coating

BUILDING MATERIALS

- Drywall
- Concrete
- Masonry

ASSESSMENT/APPROVAL



IEC 60331-21: 1999

EN 60332-3-22: 2010

EN 60332-1-2: 2004

ADVANTAGES

- Water based, odorless and solvent free
- Suitable for internal and external applications
- Quick curing
- Spray or brush applied
- Halogen, fibres and asbestos free
- High yield

APPLICATIONS

- Power plants (IEC 332 Pt3)
- Telecommunication
- Industrial plants
- Petrochemical plants
- Factories and production facilities

FUNCTIONING

- Can be sprayed, painted, or brush applied.
- Multiple layers and overhead application possible due to its thixotropic consistency.
- Base surface should be clean, dry and suitably prepared.
- Thickness of application: see approval or test.
- When exposed to fire, it reacts to form a highly isolative char that slows down heat transfer, and provides a protective fire barrier.

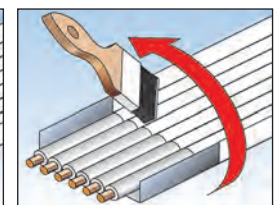
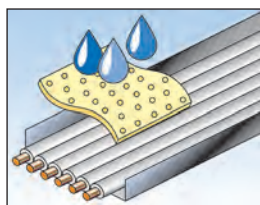
When spray applied:

Min. 170 bar

Nozzle spray angle 40°

Flow rate 0,78 mm

Liters/minute 3,5



SPECIFICATIONS

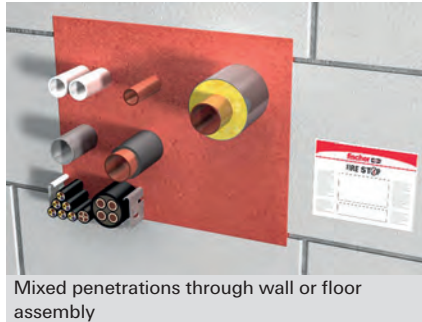
Item	Art.-No.	Contents [l]	Sales unit [pcs]
FCC	539609	12,5	1

TECHNICAL DATA

Chemical base	Water-based
Density	1,55 g/cm ³
Application temperature	+ 5 °C to + 40 °C
Storage temperature	+5 °C to +30 °C to be protected from frost and direct sunlight
Odour	slight
Water resistant	yes
Shelf life	1 year
pH Value	approx. 8
Coating thickness	0.5 - 0.8 mm (IEC 60332-3)
(Dry film)	1.6 mm (Factory Mutual)
Colour	White
Curing time at room temperature	1 - 3 days*

* Depending on humidity, air and ambient temperature.

FireStop Foam and FireStop Block for use in a System. Or individually. ETA approved and UL listed applications.



BUILDING MATERIALS

- Concrete (wall and floors)
- Masonry
- Flexible wall

ASSESSMENT/APPROVAL



EN 1366-3: 2004

American Standard

EN 13501-1

ASTM E 814
(UL 1479)

ASTM E 84
(UL 723)

ADVANTAGES

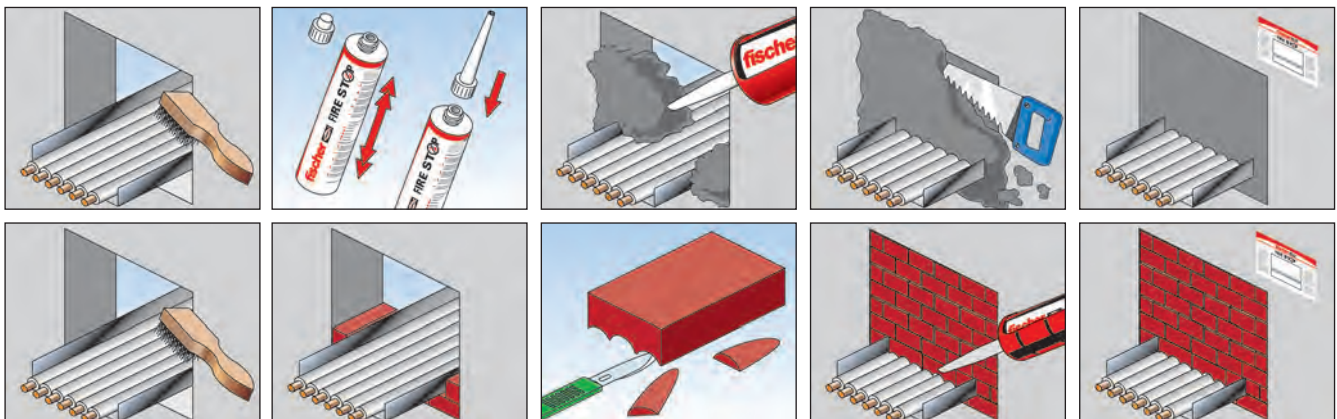
- Easy access for difficult to reach openings
- Low VOC
- Various applications with two products only
- Age resistant
- Smoke resistant
- Resistant to damp
- Re-enterable and repairable
- Excellent adhesion
- No backing material required
- F-rating / E-rating up to 2 hours
- T-rating / I-rating up to 2 hours

APPLICATIONS

- Metallic pipes up to 8 in. (203 mm)
- Insulated metallic pipes
- Conduits
- Cable and cable bunches
- Cable trays
- Mixed multiple penetrations

FUNCTIONING

- **FBS** is a two component polyurethane expanding sound, smoke and firestopping seal for hard to reach locations which expands to up to 5 times of its volume.
- **FBB** are highly elastic mouldable blocks.
- **FIB** is a glass fiber reinforced intumescent wrap to enhance the insulation value of ETA applications.
- Tested in accordance with ASTM E 814 (UL 1479), ASTM E84 (UL 723) as well as EN 1366-3, EN 13501 the Barrier System PLUS allows an easy application which saves time and costs on site.



INSTALLATION

1. Clean all contact surfaces so they are free from loose debris and contaminants.
2. Install the required backing material as per the detailed instruction or approved system.
3. Unscrew cap from cartridge and insert into the dispensing gun.
4. Discard non-uniform initial material.
5. Fill the opening from back to front. Build up the foam from bottom to top.
6. After 2 minutes, tool foam to a defect-free finish using a suitable knife.
7. Cables or pipes that will be installed retroactively can be routed through the existing foam. Refill gaps due to removed cables or pipes with FBS foam.

SPECIFICATIONS

Item	Art.-No.	Contents [ml]	Dimensions [mm]	Sales unit [pcs]
FBS-UL	544079	380	–	6
FBB-UL FireStop Block	544083	–	200 mm x 130 mm x 60 mm	12
FBS-EN (DE, FR, EN, IT)	544084	380	–	6
FBS-EN (DK, FI, SE, NO)	544085	380	–	6
FBS-EN (PL, SK, CZ, HU)	544086	380	–	6
FBS-EN (TR, PT, ES, NL)	544087	380	–	6
FBB-EN FireStop Block	544088	–	200 mm x 144 mm x 60 mm	4
FIB Insulating Bandage	544089	–	5000 mm x 150 mm	1
FFBD Foam Barrier Dispenser	544090	–	–	1

TECHNICAL DATA

Criteria	FBS-UL	FBS-EN	FBB-UL	FBB-EN
Density		≥ 215 kg/m ³		240 kg/m ³ to 300 kg/m ³
Temperature resistance	≤ 80 °C	≤ 80 °C	≤ 80 °C	≤ 80 °C
Construction material class		B2 - as per DIN 4102		B2 - as per DIN 4102
Cartridge content	380 ml	380 ml		
Yield	≤ 1.9 l	≤ 2.1 l		
Cure time	Approx. 90 s	Approx. 90 s		
Colour	Red-brown	Red-brown	Red-brown	Red-brown
Pack size	Boxed in 6	Boxed in 6	Boxed in 4	Boxed in 18
Shelf life	12 months from date of manufacturing	12 months from date of manufacturing		
Storage Temperature	+5 °C to +30 °C	+5 °C to +30 °C		
Sound Transmission Class		43.5 dB - 66 dB		45.5 dB - 68 dB
Application Temp Range	+15 °C to +30 °C	+15 °C to +30 °C		

APPLICATION DATA - UL

	Blank Opening	Metallic Pipes and Conduits	Cables / Cable Trays	Insulated Metal Pipes	Mixed Penetrations
Max. possible sizes of penetrants	Max 32 in. x 32 in. (813 x 813 mm)	Max 8 in. (203 mm) diameter	Max 24 in. (610 mm) wide by max 6 in. (152 mm) deep cable tray	Max 8 in. (203 mm) diameter with 1 in. (25 mm) insulation	See listed system
Barrier System PLUS UL	C-AJ-0158, W-L-0052	C-AJ-1669	C-AJ-3341; C-AJ-4110; W-L-4091	C-AJ-5383	C-AJ-8260; C-AJ-8261

APPLICATION DATA - ETA

		Seal thickness 144 mm	Seal thickness 200 mm
Cable / Cable Trays and Ladders	Sheathed electrical cables up to 80 mm	Wall: E120 / EI60 - Floor: EI60	Wall / Floor: E120 / EI90
	Tied cable bundles up to 100mm		
	Non-sheathed electrical cables	Wall: E120 / EI45 - Floor: E60 / EI30	Wall / Floor E120 / EI60
Conduits	Conduits / pipes of plastic up to a max. diameter of 40 mm	Wall: E120 / EI60 - Floor: E60 / EI30	Wall / Floor EI120
Pipes	Insulated metal pipes with max. diameter of 54 mm	Wall: E120 / EI90 - Floor: EI60	Wall / Floor E120 / EI90
	Non-insulated metal pipes with max. diameter of 28 mm	Wall: E120 / EI60 - Floor: EI60	Wall / Floor E120 / EI90
	Insulated metal pipes with AF/Armaflex insulation up to 88.9 mm diameter	Wall: E120 / EI90 - Floor: EI60	Wall / Floor EI120
	Combustible pipes with max. 50 mm diameter	Wall: EI120 - Floor: EI60	Wall / Floor EI120

For detailed information please refer to ETA 17/0845. Remaining space around penetrants can be filled with FBB FireStop Block.



Contents

Maintenance groups for mounting pipe installations	350
Product solutions with examples	350
Elongation	352
Soundproofing	353
Corrosion protection	354
Fire protection	356
Mounting sprinkler systems	359
Mounting gas pipe	360
Seismic and dynamic	361
Dimension and weights of pipes	362
Important dimensions, variables and units	366
Approvals, markings and their importance	368

Maintenance groups and applications for mounting pipe installations

The mounting of pipe installations, distribution systems and devices in various types of buildings, as well as industrial plants and processes are combined under the umbrella term, installation systems. fischer Installation Systems is a complete range including the relevant supplementary products, in particular plugs and anchors.

The following belong to the maintenance groups which install pipes:

- Heating, ventilation and cooling systems
- Plumbing
- Sprinklers - extinguishing systems
- Electrical installations (medium and low voltage)
- Water and waste water treatment
- Energy and water supply

Through these maintenance groups, different pipe installations, which are offered by the Installation Systems product range, are created:

- Heating and cooling pipes
- Steam pipes
- Ventilation ducts and ventilation pipes
- Drinking water and service water pipes
- Waste water and drainage water pipes
- Sprinkler pipes
- Gas and compressed air pipes
- Medical gas supply
- Process pipes for gases and liquids
- Water and waste water treatment
- Energy and water supply

10

Basic knowledge

Product solutions with examples



Installation shaft with FUS channel system

Through the distinctive interlocking of the channels for the channel nuts FCN Clix P or PFCN, the FUS channel system provides a secure grip for handling high shear loads.

Also the first choice for pipe line routes due to the greater stability.



Cantilevers for different load ranges

With centred load (load case 1), the load range of the brackets is between 0.33 kN (33 kg) and 7.5 kN (750 kg).

Lightweight cantilevers in the FLS system: ALK
Medium cantilevers in the FUS system: FCA
Massive cantilevers in the FUS system: FCAM

Product solutions with examples



Pre-assembled construction element

The pre-assembled construction elements MW Clix 90° und SF Clix 31 guarantee for a time saving installation.

The time saving in comparison to usual U-profile file system is around 70%.



Fix points and sliding components

Sound insulation requirements for fix points: FSFP anchor point
For all standard cases: FFPS fix point with FFPK Fixing ensures controlled movement in one direction: Sliding elements (see instructions on this under Elongation).

See chapter on anchors and sliding elements.



Refrigerant pipe clamp with integrated steel bracket

Different requirements for insulating layer thicknesses and the prevention of condensation are the basic requirements for a refrigerant pipe clamp.

The KFT refrigerant pipe clamp allows neat bonding for insulating layer thicknesses of up to 30 mm, 40 mm or 60 mm.



Sprinkler loop with VdS and FM approval

Sprinkler systems are created according to the requirements of property insurers. The association of property insurers, VdS and FM global, testing products and give approvals for installation in water extinguishing systems. The FRSL and FRSP sprinkler clamp are approved sprinkler loops.

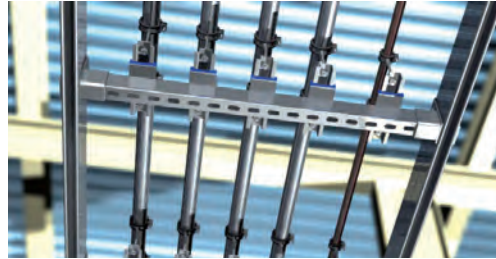
See also Mounting sprinkler installations.



Channel connection - which loads are relevant?

In the design of supports or similar components for mounting pipe installations, the load of the connecting element, such as a hammer-head screw (e.g. FHS Clix S) or channel nut (e.g. FCN Clix P) is decisive for the connection with a angle bracket, for example. The load information is shown for one element, but can be doubled when using two elements. (see example left side).

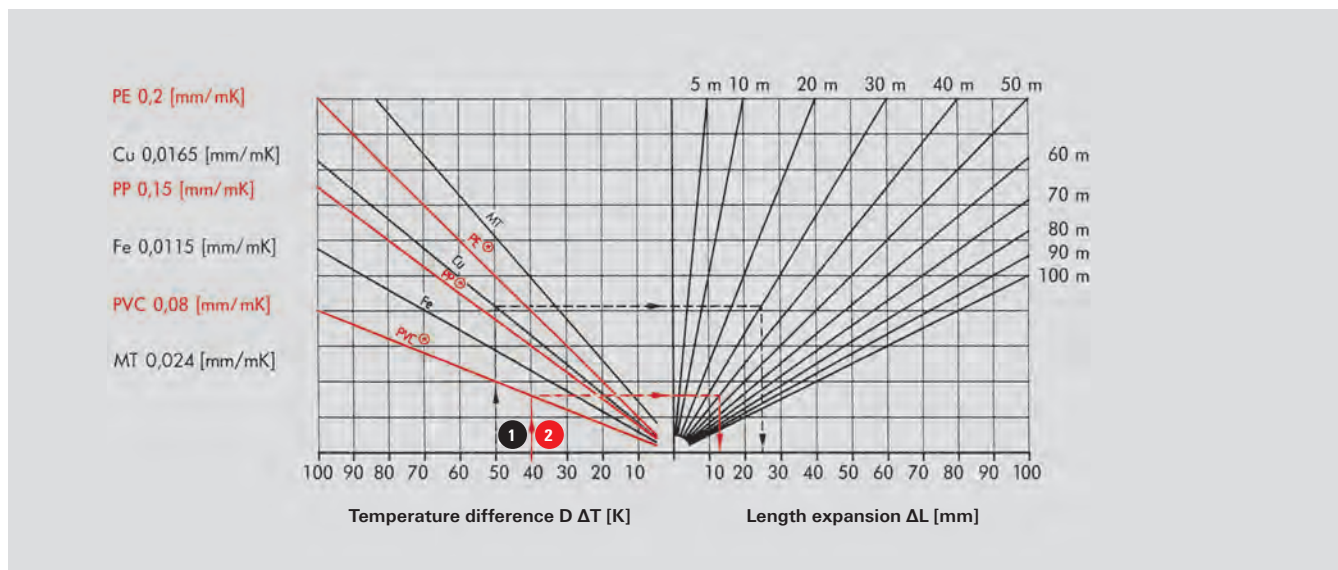
Elongation



Materials expand with heat. For long components, the change in length is mainly considered. So it is not always a matter of expansion. Shrinkage upon cooling is to also be included in the calculation. This is important when installing pipes. Within piping, the change in length is to be specifically steered. Not doing this during installation results not only in pipe defects, but also in serious damage to components. It is therefore essential to determine how great the change in the length of a pipe can be.

For this purpose, the pipe length and the expansion coefficient of

the pipe material, as well as the expected temperature difference, must be known. This is to be determined such that not only the normal operating temperatures, but also the maximum temperatures that can arise in a case of malfunction, are taken into account. The range is therefore from around 10 °C assembly temperature up to 95°C service temperature for water filled systems.



NOTE: For plastic pipes (PE, PP, PVC), the length expansion read from the diagram is to be multiplied by a factor of 10.

Example:

- 1 Copper pipe, Cu – Length of pipe span 30 m
Temperature difference $\Delta T = 50$ K
Length expansion $\Delta L = 24,75$ mm
- 2 PVC pipe – Length of pipe span $L = 40$ m
Temperature difference $\Delta T = 40$ K
Length expansion $\Delta L = 128$ mm (table value x10)

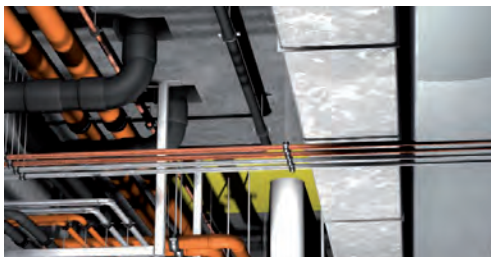
Length expansion calculation formula

$$\Delta L = L \times \Delta T \times \alpha$$

[mm] [m] [K] [mm/m K]

- ΔL = Change in length
- L = Length of the pipe span/section
- ΔT = Temperature difference
- α = Length expansion coefficient

Soundproofing



As defined in the appropriate standards, the goal of soundproofing is to reduce the transmission to other apartments or usage areas to a given noise range. The upper limits for permissible residual noise levels are defined in the standards.

Soundproofing - VDI 4100

In principle, the VDI 4100 values are, among other things, protection against noise from building systems that are mounted in the neighbouring area. According to VDI 4100, living areas are rooms that are in need of protection; in apartments, these are all rooms with a floor space of > 8m². This includes kitchens, bathrooms, toilets, hallways and ancillary rooms. VDI 4100 further recommends agreeing with the contracted companies the sound insulation values SSt EB I = 35 dB or SSt EB II = 30 dB for noise emerging from one's own area. Exceptions to this are all sounds that are influenced by the residents, i.e. self-installed air conditioners in the apartment or noises from flushing toilets, etc.

Soundproofing - DIN 4109

The DIN 4109 from 2016-07 still supplemented by A1 (2001-01), in which the permissible sound pressure level in living and sleeping areas for noise from building installations was reduced from 35 to 30 dB(A). The standard is not applicable to the protection against noise from building installations in one's own living area, but only to sounds coming from "external" areas as defined in VDI4100. For increased sound insulation, DIN 4109 Addendum 2 (from 1989) specifies a reduction in the permissible values by 5 dB(A) (to 25 dB(A)) as effective for noises from building installations.

Soundproofing - important influential factors for pipe mounting

Sound propagates in vibrations. These sound waves can propagate in solid, liquid and gaseous media, where the speed of this sound propagation differs greatly in the various media. So the sound in pipe installations is primarily forwarded through the pipeline itself and not through the carried medium. Transmission over the metal pipe is faster than in water, for example. In welded heating systems, for example, the individual sounds of striking a pipe can propagate throughout the entire building. The sound waves are transmitted in a medium in that the molecules constantly jolt one another, thereby transmitting the wave. Steel pipes or metallic mounting elements have an ordered metallic lattice, wherein forwarding is faster and with less loss than in amorphous materials, such as rubber (general elastomers). It can thus be determined that an inversely proportional relationship exists between the speed of sound [symbol: c] and the insulating behaviour of materials. That is, materials with a low sound speed always have better insulating properties than materials with a high sound speed (steel $c = 5\,100\text{ m/s}$). Rubber ($c \sim 40\text{ m/s}$) is therefore eminently suitable for sound insulation.

In rubber, the sound waves stop dead, so to speak, wherein the energy is converted into heat.

Therefore, the sound isolation must in principle occur between the pipes and the structure. Here, we recommend the installation of a sound insulating element as close to the sound source as possible; in the simplest case, with an insulating insert in the pipe clamp itself. Sound tested pipe clamps by fischer FRS Plus pipe clamp, FRS pipe clamp and FRS-L Universal pipe clamp.

Corrosion protection



In most cases, pipes and supply lines are installed in dry rooms. Therefore, in addition to corrosion resistant materials, such as plastics or stainless steel and copper, the steel products used for installation systems are galvanised. A zinc coating thickness of 5-8 μm by means of electrolytic process (galvanising) is standard.

For mounting rails, Sendzimir galvanised material is mainly used. Sendzimir galvanising is a method in which the material is drawn through a molten zinc bath, thereby achieving a zinc layer thickness of 12-20 μm . This method is used when there is no more welding for the subsequent processing. This is the case for mounting rails because they are cold-formed after galvanising.

By cutting and stamping the holes, the surface in this area is not completely covered by a protective layer. Punched mounting rails are therefore only recommended for the dry interior rooms.

For cantilever brackets, non-galvanised channel pieces are used which are welded to the base plate. Following completion, the entire component is galvanised, creating a zinc coating thickness of 5-8 μm .

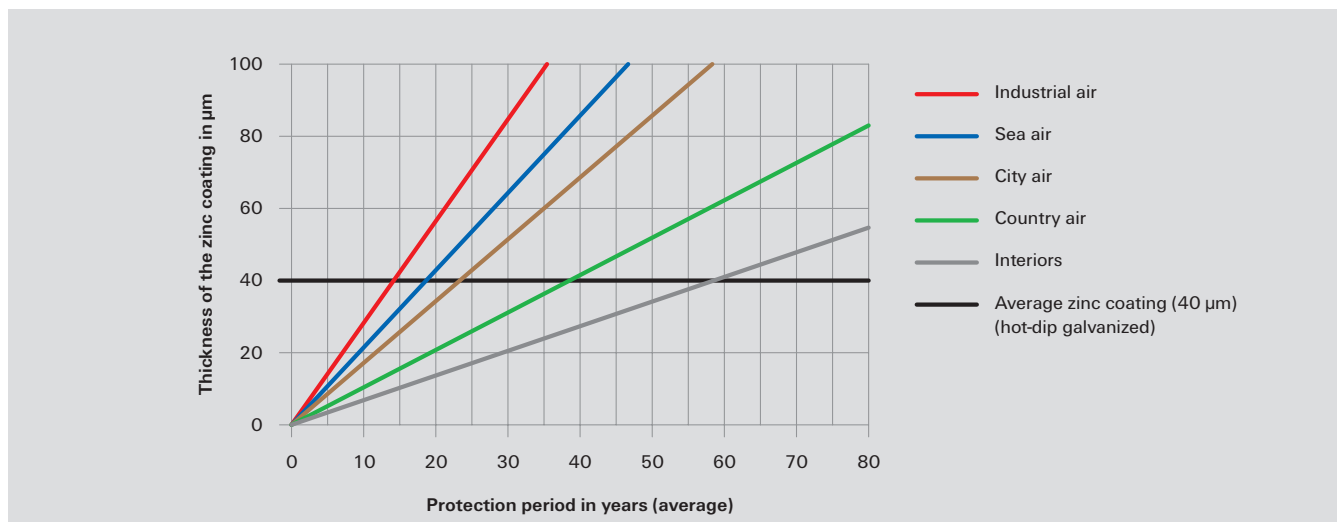
Threaded parts are either galvanised or made of stainless steel. Hot dip galvanising is less suitable for this because the large zinc layer thickness of 40-150 μm severely impairs the thread engagement.

If installation systems are installed outdoors or in wet interior rooms, they must be made of either hot dip galvanised steel or stainless steel.

Hot dip galvanising is very well suited to the protection of steel. The corrosion process is thus 10 times slower than with galvanising. The zinc loss depends on the surrounding atmosphere and humidity. An annual zinc reduction of 1 - 10 μm can, however, be assumed. The layer thickness is therefore crucial to the durability of the material.

Crucial here are the environmental influences under which the systems are installed. An overview of the expected impact on the protective action can be seen in the following diagram and tables.

Hot-dip galvanized steel



Stainless steel

Steel Grade				Designation of the Steel Group with	Corrosion	
Material No.	Short Name	AISI	UNS		Resistance Class	Exposure and Typical Applications
1.4305	X8CrNiS18-9	303	S 30300	A1	I / light	Indoor climate except damp location.
1.4301	X5CrNi18-10	304	S 30400	A2	II / moderate	Accessible constructions without nameable content of chlorides or sulfur dioxide, except industrial atmosphere.
1.4307	X2CrNi 18-9	304L	S 30403	A2L		
1.4362	X2CrNiN23-4	324	S32304	A4	III / medium	Constructions with moderate chloride and sulfur dioxide exposure and inaccessible constructions.
1.4401	X5CrNiMo17-12-2	316	S 31600			
1.4404	X2CrNiMo17-12-2	316 L	S 31603	A4L		
1.4571	X6CrNiMoTi17-12-2	316 Ti	S 31635	A5		
1.4529	X1NiCrMoCuN25-20-7	-	N 08926	1.4529	IV / strong	High corrosion exposure due to chlorine, chloride and/or sulfur dioxide, high humidity as well as accumulation of hazardous substances.

Fire protection



Fire protection in pipe installations according to the latest standards

- Fire-proof installations for individual pipes and pipe routes from R30 - R120 or F30 to F120.
- Proof of compliance with the criteria of MLAR (German standard pipe system directive) for installation in escape and rescue routes

Fire protection - protection goals

Firstly, fire protection serves to protect people, and is regulated by the building laws in the respective countries (or regional states). Secondly, fire protection serves to protect property and this is regulated by the insurance associations, such as VdS and FM. These requirements partially go beyond the building legislation. This is particularly evident in the installation of fire protection systems, such as sprinklers, etc., as approved or recognised components must be used here. (See the following section for further details on this)

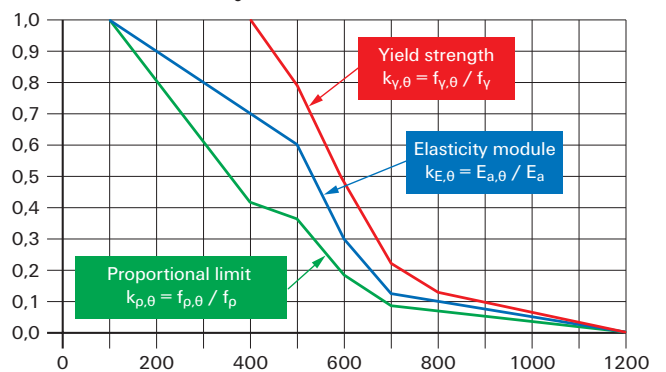
Fire inspection reports for the mounting of pipe clamps and mounting rails

Fire safety inspection reports meet the requirements for fire protection according to the building regulations of the countries and, especially for Germany, according to the nationwide homonymic German pipe systems directive (LAR), based on the standard pipe systems directive of 2005 (MLAR 2005). Personal protection is defined in the MLAR Directive through clear rules for escape routes, such as corridors, stairwells and hallways between stairwells and the exit.

The key message is to ensure the safety of the escape route by ensuring the functioning of the fire-proof sub-ceiling. To this end, compliance with the minimum distance of $\min a \leq 50 \text{ mm}$ according to MLAR is required between installations and underlying suspended fire-proof F30 sub-ceilings (fire resistance of 30 minutes). Based on the fire inspections, load information for a fire resistance of 30 minutes in relation to the maximum

Permissible deformation of mounting rails or pipe clamps, for example, was determined. The necessity for these considerations arises from the properties of the steel, which at 30 minutes is subjected to a temperature of $>800 \text{ }^\circ\text{C}$ according to the standard temperature curve (ISO curve).

Reduction factors k_θ



Dependency of the yield strength, proportional limit and elasticity module on the temperature (basis: EN 1993-1-2:2012 Eurocode 3).

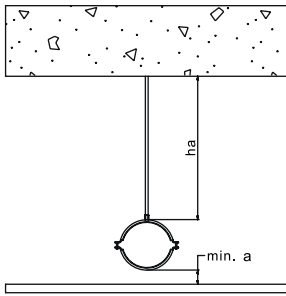
Additionally, the same information is documented in the inspection reports for a fire resistance rating of R30, R60, R90 and R120 according to EN 1363-1 and DIN 4102-2. (see following load tables)

Product overview with proof in inspection reports and supplementary sheets.

Product	Document no.	MLAR	R30 - R120	F30 - F120
FRS	MFPA Leipzig - GS 3.2/14-175-2	•	•	
FUS / FCA	MFPA Leipzig - GS 3.2/14-175-4	•	•	
FRS-L Universal	MFPA Leipzig - GS 3.2/18-120-2	•	•	
FLS / ALK	MFPA Leipzig - GS 3.2/15-141-4	•	•	
SB	MPA-NRW - 210005109-7			•
SBS	MPA-NRW - 210005109-4	•		•
PDH-K	MPA-NRW - 210005109-6	•		•

Load tables based on fire protection inspection reports

Pipe clamp FRS

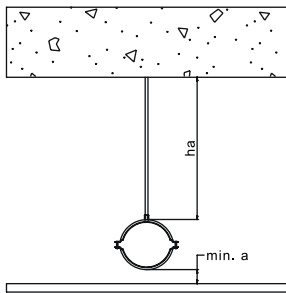


Load table based on the Advisory Opinion No. GS 3.2/14-175-2

The following figures are valid for all FRS pipe clamps, galvanized, hdg and stainless steel.

FRS M8/M10		MLAR -loads		Max. Loads				
Threaded rods ≥ 4.8		strain	F-resistance	Max. strain	Fire resistance time [minute]			
Clamping range	h_a	min a	30	min a	30	60	90	120
[mm]	[mm]	[mm]	[kN]	[mm]	[kN]	[kN]	[kN]	[kN]
12 - 67	≤ 250	≤ 50	0,56	51	0,56	0,29	0,20	0,15
	≤ 500	≤ 50	0,56	54				
	≤ 750	≤ 50	0,56	57				
	≤ 1000	≤ 50	0,55	60				
72 - 92	≤ 250	≤ 50	0,65	50	0,79	0,49	0,36	0,29
	≤ 500	≤ 50	0,62	53				
	≤ 750	≤ 50	0,59	56				
	≤ 1000	≤ 50	0,57	59				
108 - 116	≤ 250	≤ 50	0,48	61	0,63	0,39	0,29	0,23
	≤ 500	≤ 50	0,43	64				
	≤ 750	≤ 50	0,39	66				
	≤ 1000	≤ 50	0,35	69				
121 - 168	≤ 250	≤ 50	0,96	61	1,00	0,51	0,34	0,25
	≤ 500	≤ 50	0,89	63				
	≤ 750	≤ 50	0,82	66				
	≤ 1000	≤ 50	0,85	69				

Pipe clamp FRS-L Universal

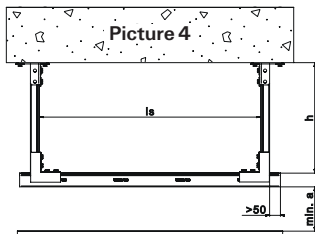
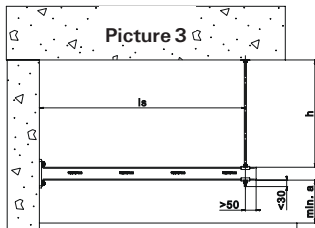
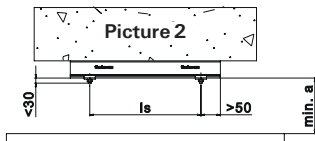
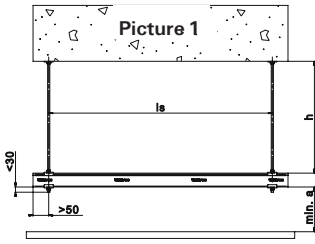


Load table based on the Advisory Opinion No. GS 3.2/18-120-2

The following figures are valid for all FRS-L Universal pipe clamps, galvanized, hdg and stainless steel

FRS-L Universal M8/M10		MLAR -loads		Max. Loads				
Threaded rods ≥ 4.8		strain	F-resistance	Max. strain	Fire resistance time [minute]			
Clamping range	h_a	min a	30	min a	30	60	90	120
[mm]	[mm]	[mm]	[kN]	[mm]	[kN]	[kN]	[kN]	[kN]
8 - 37	≤ 250	≤ 50	0,27	54	0,27	0,14	0,09	0,07
	≤ 500	≤ 50	0,26	57				
	≤ 750	≤ 50	0,24	60				
	≤ 1000	≤ 50	0,22	62				
38 - 66	≤ 250	≤ 50	0,17	72	0,29	0,14	0,09	0,06
	≤ 500	≤ 50	0,16	75				
	≤ 750	≤ 50	0,15	78				
	≤ 1000	≤ 50	0,13	80				
67 - 119	≤ 250	≤ 50	0,53	75	0,53	0,35	0,27	0,22
	≤ 500	≤ 50	0,53	78				
	≤ 750	≤ 50	0,53	81				
	≤ 1000	≤ 50	0,53	83				
120 - 172	≤ 250	≤ 50	0,40	65	0,42	0,31	0,25	0,22
	≤ 500	≤ 50	0,40	68				
	≤ 750	≤ 50	0,38	72				
	≤ 1000	≤ 50	0,36	75				

FUS-Channel / FCA-Cantilever arm



NOTE: Picture 1 - 3 are valid for FUS/FCA and FLS/ALK load tables

Load table based on the Advisory Opinion No. GS 3.2/14-175-4
The following figures are valid for FUS channels and FCA cantilever arms, galvanized, hdg and stainless steel.

FUS / FCA 41/2,5 (Picture 1-3)		MLAR -loads		Max. Loads				
Threaded rods ≥ 4.8		strain	F-resistance	Max. strain	Fire resistance time [minute]			
Load case	l_s [mm]	min a ¹⁾ [mm]	30 [kN]	min a ²⁾ [mm]	30 [kN]	60 [kN]	90 [kN]	120 [kN]
Point load	≤ 400	≤ 50	0,90	278	2,40	1,33	0,92	0,72
	≤ 700	≤ 50	-	320	1,61	1,04	0,80	0,67
Multiple load ³⁾	≤ 400	≤ 50	0,90	278	2,40	1,33	0,92	0,72
	≤ 700	≤ 50	-	320	1,61	1,04	0,80	0,67
Uniformly distributed load	≤ 400	≤ 50	1,50	258	3,00	2,10	1,41	1,06
	≤ 700	≤ 50	0,60	299	2,44	1,57	1,21	1,00
	≤ 1250	≤ 50	-	468	3,29	1,81	1,27	0,98

FUS / FCA 62/2,5 (Picture 1-3)		MLAR -loads		Max. Loads				
Threaded rods ≥ 4.8		strain	F-resistance	Max. strain	Fire resistance time [minute]			
Load case	l_s [mm]	min a ¹⁾ [mm]	30 [kN]	min a ²⁾ [mm]	30 [kN]	60 [kN]	90 [kN]	120 [kN]
Point load	≤ 400	≤ 50	1,76	25	1,76	1,06	0,78	0,62
	≤ 1000	≤ 50	-	460	2,27	1,31	0,93	0,72
Multiple load ³⁾	≤ 400	≤ 50	1,76	25	1,76	1,06	0,78	0,62
	≤ 960 ⁴⁾	≤ 50	4,30	550	4,30	2,14	1,39	1,01
	≤ 1000	≤ 50	0,55	661	2,52	1,60	1,21	0,99
Uniformly distributed load	≤ 400	≤ 50	1,76	25	1,76	1,06	0,78	0,62
	≤ 960 ⁴⁾	≤ 50	4,30	550	4,30	2,14	1,39	1,01
	≤ 1000	≤ 50	0,55	661	2,52	1,60	1,21	0,99
≤ 1250	≤ 50	0,50	592	2,41	1,65	1,31	1,11	

FUS 62/2,5 (Picture 4)		MLAR -loads		Max. Loads				
Vertical FUS 41/2,5		strain	F-resistance	Max. strain	Fire resistance time [minute]			
Load case	l_s [mm]	min a ¹⁾ [mm]	30 [kN]	min a ²⁾ [mm]	30 [kN]	60 [kN]	90 [kN]	120 [kN]
Point load	≤ 1000	≤ 50	0,57	369	1,33	0,87	0,68	0,57
Multiple load ³⁾	≤ 1000	≤ 50	0,62	649	1,92	1,34	1,08	0,92
Uniformly distributed load	≤ 1000	≤ 50	0,62	649	1,92	1,34	1,08	0,92

¹⁾ Valid for a suspension height $h_a \geq 500$ mm

²⁾ Based on suspension height $h_a = 250$ mm, Expansion length of threaded rods in case of fire ~ 10 mm/m

³⁾ Given load values apply for multiple loads as summated point loads symmetrical allocated

⁴⁾ This values are valid for FCA 62/2,5 with additional support by threaded rod

FLS-Channel / ALK-Cantilever arm

Load table based on the Advisory Opinion No. GS 3.2/15-141-4
The following figures are valid for FLS channels and ALK cantilever arms, galvanized, hdg and stainless steel.

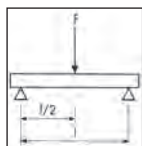
FLS / ALK 37/1,2 (Picture 1-3)		MLAR -loads		Max. Loads				
Threaded rods ≥ 4.8		strain	F-resistance	Max. strain	Fire resistance time [minute]			
Load case	l_s [mm]	min a [mm]	30 [kN]	min a [mm]	30 [kN]	60 [kN]	90 [kN]	120 [kN]
Point load	≤ 400 ¹⁾	≤ 50	0,24	93	0,24	0,13	0,10	0,09
	≤ 400 ²⁾	≤ 50	0,09	289	0,47	0,38	0,33	0,30
	≤ 400 ⁴⁾	≤ 50	0,32	226	1,33	0,78	0,53	0,40
Multiple load ³⁾	≤ 400 ¹⁾	≤ 50	0,72	93	0,72	0,38	0,30	0,27
	≤ 400 ²⁾	≤ 50	0,26	289	1,42	1,13	0,99	0,90
	≤ 400 ⁴⁾	≤ 50	0,81	226	1,33	0,78	0,53	0,40
Uniformly distributed load	≤ 400 ¹⁾	≤ 50	0,72	93	0,72	0,38	0,30	0,27
	≤ 400 ²⁾	≤ 50	0,35	308	1,37	1,19	1,06	0,95
	≤ 400 ⁴⁾	≤ 50	0,81	226	1,33	0,78	0,53	0,40

¹⁾ Valid for a suspension height $h_a = 0$ mm, s. picture 2

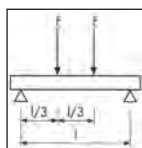
²⁾ Valid for a suspension height $h_a = 500$ mm, s. picture 1 (Expansion length of threaded rods in case of fire ~ 10 mm/m)

³⁾ Given load values apply for multiple loads as summated point loads symmetrical allocated

⁴⁾ This values are valid for ALK 37-450 with additional support by threaded rod, s picture 3 ($h_a = 500$ mm)



Point load
Spot load, e.g. a pipe clamp on the rail.



Uniform load
Uniform distribution of load on the rails, e.g. bend-proof ventilation duct.



Multiple load
More than one load point on the rail, e.g. several pipe clamps.

Mounting sprinkler systems



Sprinkler systems are usually created according to different standards. For example, according to the VdS standard (VdS CEA 4001), the American FM standard 1951 (Factory Mutual Insurance Company" (FM Global)), UL 203 (Underwriters Laboratories (UL)), NFPA 13 regulations (National Fire Protection Association (NFPA)) or EN 12845.

The European Directive CEA 4001 was created in 1995 by the insurance industry in cooperation with the manufacturers' association EUROFEU, and VdS CEA 4001 was created in Germany in 2003 by the "Association of Property Insurers" (VdS).

EN 12845 was developed on the basis of CEA 4001 from 1995 and the VdS CEA 4001 from 2003, creating a standard that was practically the same word for word. National practices, such as those for Germany, are to be included in a revised DIN 14489 as a national annex to EN 12845.

The American rules correspond to the requirements for mounting pipe installations, but they must be checked in detail in each case. For mounting sprinkler pipes, the different load values, mounting distances and connection sizes for pipe loops and pipe clamps, which are listed in the following table for the most common directives, are applicable.

Pipe sizes	FM1951				NFPA13				VdS CEA 4001			
	Test load	Max. distance	Min. rod size		Test load calculated	Max. distance	Min. rod size		Loading capacity	Max. distance	Min. rod size	
DN	[kN]	[m]	[metric]	[inch]	[kN]	[m]	[metric]	[inch]	[kN]	[m]	[metric]	[inch]
15	-	-	-	-	1.4	3.60	9.5	3/8	2.0	4.00	M8	-
20	1.512	3.6	M10	3/8	1.5	3.60	9.5	3/8	2.0	4.00	M8	-
25	1.824	3.6	M10	3/8	1.7	3.66	9.5	3/8	2.0	4.00	M8	-
32	1.913	3.6	M10	3/8	1.9	3.66	9.5	3/8	2.0	4.00	M8	-
40	2.313	4.6	M10	3/8	2.4	4.57	9.5	3/8	2.0	4.00	M8	-
50	2.825	4.6	M10	3/8	2.9	4.57	9.5	3/8	3.5	4.00	M10	-
65	4.181	4.6	M10	3/8	3.8	4.57	9.5	3/8	3.5	6.00	M10	-
80	4.715	4.6	M10	3/8	4.8	4.57	9.5	3/8	3.5	6.00	M10	-
90	5.583	4.6	M10	3/8	5.7	4.57	9.5	3/8	3.5	6.00	M10	-
100	6.561	4.6	M10	3/8	6.7	4.57	9.5	3/8	5.0	6.00	M10	-
125	8.896	4.6	M12	1/2	9.0	4.57	12.7	1/2	5.0	6.00	M12	-
150	11.632	4.6	M12	1/2	11.8	4.57	12.7	1/2	8.5	6.00	M12	-
200	16.903	4.6	M12	1/2	18.2	4.57	12.7	1/2	8.5	6.00	M16	-
250	26.044	4.6	M16	5/8	26.7	4.60	15.9	5/8	-	6.00	-	-
300	35.141	4.6	M16	5/8	36.0	4.60	15.9	5/8	-	6.00	-	-
350	-	-	-	-	42.9	4.60	-	-	-	6.00	-	-
400	-	-	-	-	55.7	4.60	-	-	-	6.00	-	-
450	-	-	-	-	70.1	4.60	-	-	-	6.00	-	-
500	-	-	-	-	84.4	4.60	-	-	-	6.00	-	-

Mounting gas pipe



A specification for the usable anchors emerged from the DVGW-TRGI revision in 2008. This is regulated in TRGI 2008 in Chapter II under item 5.3 "Preparation of pipe installations". In the TRGI from 2008, plastic anchors are now explicitly allowed under certain conditions.

The basis in the previous TRGI was the determination that gas pipes need to be mounted in the way that there are no free pipe cross-sections in the event of fire. In the new version, this was amended in that, in the event of fire, there may be no free pipe cross-sections up to a temperature of 650 °C. For pipe connections, this means that the axial restraint was also specified, and a brazed pipe joint, for example, is not considered as an axial restraint. Thus, standard commercially available plastic anchors with non-combustible pipe supports may be used for mounting metal inner pipes with an axial restraint of >650 °C. It should be noted that attachments are made to components with sufficient strength according to TRGI 2008. In addition, the mounting distances are governed in TRGI 2008, and are mandatory.

According to DVGW-TRGI 2008, plastic pipes for indoor pipes with an operating pressure up to 100 mbar are also allowed for the first time. For laying plastic inner pipes, in comparison to metal and non-combustible pipe installations, plastic pipes for gas installations are, without exception, subject to the system engagement of the manufacturer.

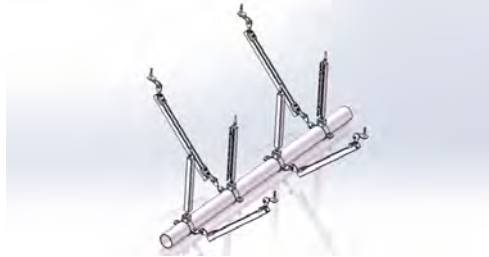
The fixing materials for open gas pipes can also be made of plastic if the static requirements are met. The requirement for using plastic pipes in gas installations is the installation of a type K gas flow monitor in conjunction with an additional thermally activated shut-off device (TAE), as the destruction of the openly laid plastic gas pipes in the event of fire must be assumed.

Integration of rules regarding building classes according to the German model building regulations (MBO) was also implemented in DVGW TRGI 2008. An alignment of the fire protection requirements, which are specified in the German standard pipe systems directive (MLAR 2005) for the installation of pipes in buildings was, therefore, only logical. The limit for increased demands on the gas installation according to TRGI 2008 are > 2 utilisation units (building class 3) for buildings and for a floor level upper edge of more than 7m of the top floor (building class 4).

If any of these conditions exists, or if any of them are exceeded, it is not possible to lay plastic pipes in escape routes. For metal pipes, the requirements of MLAR 2005 for laying in installation channels or below plaster and plaster base are applicable. For pipe mounting with anchors, MLAR 2005 stipulates that either officially approved anchors are used or, alternatively, that the provisions of DIN4 102-T.4, section 8.5.7.5 (or DIN EN 1366-1, section 13.6) are observed. The same rule also applies to the installation of pipes through officially approved partitions in walls and ceilings, as the mechanical destruction of the partitions by pipes in the event of fire must be prevented.

When installing gas pipes, we therefore recommend the use of approved metal anchors, since, through the general official approval and the European technical approval, the certificate of suitability for the anchor is provided, also for in the event of fire. This gives the installer the necessary safety, also at the limits.

Seismic and dynamic



The seismic and dynamic requirements for non-structural installations, such as pipe installations, are often underestimated in comparison to those of structural installations. But even here, the rule is that the weakest link in the chain can lead to failure or to damage.

Since basically every building in which such requirements, or additional requirements included by property insurers, such as FM, are different, it is also not possible to specify standard details. In addition, the solutions to be developed should also include the links to the components.

For this reason, we recommend everyone to use the support of our technical staff, in order to develop a suitable and project-specific solution.

www.fischer.de

Dimension and weights of pipes, ventilation ducts and ventilation pipes

Boiler pipe acc. to DIN 2448 / DIN EN 10220

DN	Size	Pipe outer- \varnothing [mm]	Pipe weight empty [kg/m]	Pipe weight water filled [kg/m]	Pipe weight water filled + insulated ¹⁾ [kg/m]	Support widths [m]
8	1/4"	13.5	0.5	0.6	1.4	2.00
10	3/8"	17.2	0.7	0.8	1.9	2.25
15	1/2"	21.3	1.0	1.2	2.2	2.75
		25.0	1.1	1.5	2.8	2.75
20	3/4"	26.9	1.4	1.8	3.1	3.00
		30.0	1.8	2.3	4.0	3.00
		31.8	1.9	2.4	4.2	3.00
25	1"	33.7	2.0	2.6	4.7	3.50
		38.0	2.3	3.1	5.2	3.50
32	1 1/4"	42.4	2.6	3.7	5.7	3.75
		44.5	2.7	3.9	6.9	3.75
40	1 1/2"	48.3	3.0	4.4	7.4	4.25
		51.0	3.1	4.8	7.7	4.40
		57.0	3.9	6.0	10.0	4.60
50	2"	60.3	4.1	6.5	10.5	4.75
		63.5	4.4	7.0	11.0	4.75
		70.0	4.8	8.1	13.4	4.75
65	2 1/2"	76.1	5.3	9.2	14.8	5.50
		82.5	6.3	10.9	19.2	5.75
80	3"	88.9	6.8	12.2	20.4	6.00
		101.6	8.8	15.8	27.0	6.00
		108.0	9.3	17.3	29.1	6.00
100	4"	114.3	9.9	18.9	30.6	6.00
		127.0	12.2	23.3	36.1	6.00
		133.0	12.8	25.1	37.8	6.00
125	5"	139.7	13.5	27.1	40.3	6.00
		152.4	16.5	32.7	47.1	6.00
		159.0	17.3	34.9	49.2	6.00
		165.1	17.9	37.1	52.0	6.00
150	6"	168.3	18.3	38.2	53.0	6.00
		177.8	21.4	43.6	58.1	6.00
		193.7	25.2	51.5	68.0	6.00
200	8"	219.1	31.2	65.0	83.3	6.00
		244.5	37.2	79.5	98.6	6.00
		267.0	40.8	91.6	112.7	6.00
250	10"	273.0	41.6	94.9	117.7	6.00
300	12"	323.9	55.6	131.0	156.6	6.00

1) Heat insulation: density 120 kg/m³ + sheet metal jacket: density 7865 kg/m³

The corresponding pipe manufacturer's data are to be considered.

2) Heat insulation: density 120 kg/m³

Threaded pipe acc. to DIN 2440 / DIN EN 10255

DN	Size	Pipe outer- \varnothing [mm]	Pipe weight empty [kg/m]	Pipe weight water filled [kg/m]	Pipe weight water filled + insulated ¹⁾ [kg/m]	Support widths [m]
8	1/4"	13.5	0.7	0.7	1.6	2.00
10	3/8"	17.2	0.9	1.0	2.0	2.25
15	1/2"	21.3	1.2	1.4	2.5	2.75
20	3/4"	26.9	1.6	2.0	3.2	3.00
25	1"	33.7	2.4	3.0	5.1	3.50
32	1 1/4"	42.4	3.1	4.2	6.2	3.75
40	1 1/2"	48.3	3.6	5.0	8.0	4.25
50	2"	60.3	5.1	7.3	11.4	4.75
65	2 1/2"	76.1	6.5	10.2	15.9	5.50
80	3"	88.9	8.5	13.6	21.8	6.00
100	4"	114.3	12.1	20.8	32.5	6.00
125	5"	139.7	16.2	29.5	42.7	6.00
150	6"	165.1	19.2	38.2	53.1	6.00

Copper pipe acc. to DIN EN 1057						
DN	Size	Pipe outer- \varnothing [mm]	Pipe weight empty [kg/m]	Pipe weight water filled [kg/m]	Pipe weight water filled + insulated ²⁾ [kg/m]	Support widths [m]
8	10 x 1	10	0.3	0.3	0.4	1.00
10	12 x 1	12	0.3	0.4	0.5	1.25
12	15 x 1	15	0.4	0.5	0.8	1.25
15	18 x 1	18	0.5	0.7	1.0	1.50
20	22 x 1	22	0.6	0.9	1.3	2.00
25	28 x 1.5	28	1.1	1.6	2.4	2.25
32	35 x 1.5	35	1.4	2.2	3.1	2.75
40	42 x 1.5	42	1.7	2.9	4.4	3.00
50	54 x 2	54	2.9	4.9	7.3	3.50
	64 x 2	64	3.5	6.3	9.8	4.00
65	76.1 x 2	76.1	4.1	8.2	14.0	4.25
80	88.9 x 2	88.9	4.9	10.5	16.4	4.75
100	108 x 2.5	108	7.4	15.7	27.5	5.00

Stainless steel pressure system						
DN	Size	Pipe outer- \varnothing [mm]	Pipe weight empty [kg/m]	Pipe weight water filled [kg/m]	Pipe weight water filled + insulated ²⁾ [kg/m]	Support widths [m]
12	15 x 1	15	0.3	0.5	0.8	1.50
15	18 x 1	18	0.4	0.6	1.0	1.50
20	22 x 1.2	22	0.6	0.9	1.3	2.50
25	28 x 1.2	28	0.8	1.3	2.4	2.50
32	35 x 1.5	35	1.2	2.0	3.1	3.50
40	42 x 1.5	42	1.5	2.7	4.4	3.50
50	54 x 1.5	54	2.0	4.0	7.3	3.50
65	76.1 x 2	76.1	3.6	7.6	14.0	5.00
80	88.9 x 2	88.9	4.2	9.8	16.4	5.00
100	108 x 2	108	5.1	13.5	27.5	5.00

Metal composite pipe						
DN	Size	Pipe outer- \varnothing [mm]	Pipe weight empty [kg/m]	Pipe weight water filled [kg/m]	Pipe weight water filled + insulated ²⁾ [kg/m]	Support widths [m]
10	14 x 2	14	0.1	0.2	0.4	1.0
12	16 x 2.25	16	0.1	0.2	0.5	1.0
15	20 x 2.5	20	0.2	0.4	0.7	1.0
20	26 x 3	26	0.3	0.6	0.9	1.5
25	32 x 3	32	0.4	0.9	1.2	2.0
32	40 x 3.5	40	0.6	1.5	2.1	2.0
40	50 x 4	50	0.9	2.3	3.2	2.5
50	63 x 4.5	63	1.3	3.6	5.2	2.5

1) Heat insulation: density 120 kg/m³ + sheet metal jacket: density 7865 kg/m³
2) Heat insulation: density 120 kg/m³

The corresponding pipe manufacturer's data are to be considered.

Drain pipe, cast iron, SML, DIN EN 877

DN	Pipe outer- ϕ	Pipe weight empty	Pipe weight water filled	Support widths
	[mm]	[kg/m]	[kg/m]	
40	48	3.1	4.5	1)
50	58	4.3	6.4	1)
70	78	5.9	9.9	1)
80	83	6.1	10.6	1)
100	110	8.4	17.7	1)
125	135	11.8	24.5	1)
150	160	14.1	32.3	1)
200	210	23.1	54.6	1)
250	274	33.3	87.7	1)
300	326	43.2	120.8	1)
400	429	60.0	193.3	1)
500	532	82.6	290.1	1)

Drain pipe, PVC-U, DIN 8062

DN	Pipe outer- ϕ	Pipe weight empty	Pipe weight water filled	Support widths	
				20°	40°
	[mm]	[kg/m]	[kg/m]	[m]	[m]
40	50	0.8	1.3	0.8	0.6
50	63	1.3	2.0	1.1	0.7
65	75	1.8	3.9	1.3	0.8
80	90	2.6	3.9	1.3	0.8
100	110	3.9	8.0	1.6	1.0
125	125	5.0	12.4	1.8	1.1
150	160	8.2	18.0	2.2	1.2

LORO-X steel drain pipe

DN	Pipe outer- ϕ	Pipe weight empty	Pipe weight water filled	Support widths
	[mm]	[kg/m]	[kg/m]	
40	42	1.5	2.7	1)
50	53	2.2	4.2	1)
70	73	3.3	7.1	1)
80	89	4.1	9.9	1)
100	102	5.8	13.3	1)
125	133	9.6	22.5	1)
150	159	11.5	30.1	1)
200	219	21.5	57.2	1)
250	273	22.5	78.5	1)
300	324	25.0	104.4	1)

Drain pipe, GA, DIN 19500

DN	Pipe outer ϕ	Wall thickness	Pipe weight empty	Pipe weight water filled	Support widths
50	60	3,5	5,19	7,39	1)
70	80	3,5	7,02	11,21	1)
100	112	4,0	11,33	19,83	1)
125	137	4,0	13,96	27,03	1)
150	162	5,0	20,59	38,74	1)
200	212	6,0	32,42	63,84	1)

NOTE: The values for the max. support widths are based on the permissible deflection under load of the pipes and the corresponding recommendations from the pipe manufacturer. The permissible loads of the pipe fasteners and mountings are not taken into consideration.

1) approx. 1,50 m – 2,00 m. According to the manufacturer's data, each pipe length should be supported in at least two places. The corresponding data from the pipe manufacturer are to be taken into consideration.

Drain pipe, PE, DIN 19535				
DN	Pipe outer- ϕ [mm]	Pipe weight empty [kg/m]	Pipe weight water filled [kg/m]	Support widths [m]
25	32	0.3	0.8	0.5
32	40	0.3	1.3	0.5
40	50	0.4	2.0	0.8
50	56	0.5	2.5	0.8
57	63	0.6	3.1	0.8
70	75	0.7	4.4	0.8
80	90	1.0	6.4	0.9
100	110	1.4	9.5	1.1
125	125	1.8	12.3	1.3
125	140	2.3	15.4	1.4
150	160	3.0	20.1	1.6
200	200	3.8	31.5	2.0
250	250	6.0	49.2	2.0

Weights of galvanized ventilation ducts in kg/m without insulation																										
Sheet metal 0.75			Sheet metal 0.88					Sheet metal 1.0					Sheet metal 1.13					Sheet metal 1.25					◀ B	▶ H		
200	224	250	280	315	355	400	450	500	560	630	710	800	900	1000	1120	1250	1400	1600	1800	2000	2240	2500	2800	3150		
6.6	7.0	7.4	9.3	10.0	10.7	11.6	12.6	13.6	16.7	18.3	20.0	22.0	24.2	26.4	32.8	36.0	39.8	44.7	49.7	54.7	70.2	77.6	86.3	96.3	200	
	7.4	7.8	9.8	10.4	11.2	12.1	13.0	14.0	17.2	18.8	20.5	22.5	24.7	26.9	33.4	36.6	40.4	45.3	50.3	55.3	70.8	78.3	86.9	97.0	224	
		8.3	10.3	10.9	11.7	12.6	13.6	14.5	17.8	19.4	21.1	23.1	25.3	27.5	34.1	37.3	41.0	46.0	51.0	55.9	71.6	79.1	87.7	97.8	250	
			10.8	11.5	12.3	13.2	14.1	15.1	18.5	20.0	21.8	23.8	26.0	28.2	34.8	38.0	41.8	46.7	51.7	56.7	72.5	79.9	88.6	98.6	280	
				12.2	13.0	13.8	14.8	15.8	19.3	20.8	22.6	24.5	26.7	28.9	35.7	38.9	42.6	47.6	52.6	57.6	73.5	80.9	89.6	99.6	315	
					13.7	14.6	15.6	16.6	20.1	21.7	23.4	25.4	27.6	29.8	36.7	39.9	43.6	48.6	53.6	58.5	74.6	82.1	90.7	100.8	355	
						15.5	16.5	17.4	21.1	22.7	24.4	26.4	28.6	30.8	37.8	41.0	44.7	49.7	54.7	59.7	75.9	83.4	92.0	102.1	400	
							17.4	18.4	22.2	23.8	25.5	27.5	29.7	31.9	39.0	42.3	46.0	51.0	55.9	60.9	77.3	84.8	93.4	103.5	450	
								19.4	23.3	24.9	26.6	28.6	30.8	33.0	40.3	43.5	47.2	52.2	57.2	62.2	78.8	86.3	94.9	104.9	500	
									24.6	26.2	27.9	29.9	32.1	34.3	41.8	45.0	48.7	53.7	58.7	63.6	80.5	88.0	96.6	106.7	560	
										27.6	29.5	31.5	33.7	35.9	43.5	46.7	50.5	55.4	60.4	65.4	82.5	90.0	98.6	108.7	630	
											31.2	33.2	35.4	37.6	45.5	48.7	52.5	57.4	62.4	67.4	84.4	92.3	100.9	111.0	710	
												35.2	37.4	39.6	47.7	51.0	54.7	59.7	64.6	69.6	87.4	94.9	103.5	113.6	800	
													39.6	41.8	50.2	53.4	57.2	62.2	67.1	72.1	90.3	97.8	106.4	116.4	900	
														44.0	52.7	55.9	59.7	64.6	69.6	74.6	93.2	100.6	109.3	119.3	1000	
															55.7	58.9	62.6	67.6	72.6	77.6	96.6	104.1	112.7	122.8	1120	
																62.2	65.9	70.9	75.8	80.8	100.3	107.8	116.4	126.5	1250	
																	69.6	74.6	79.6	84.5	104.7	112.1	120.8	130.8	1400	
																		79.6	84.5	89.5	110.4	117.9	126.5	136.6	1600	
																			89.5	94.5	116.2	123.6	132.3	142.3	1800	
																				99.4	121.9	129.4	138.0	148.1	2000	
																					128.8	136.3	144.9	155.0	2240	
																						143.8	152.4	162.4	2500	
																							161.0	171.1	2800	
																								181.5	3150	

The weights in kg/m are reference values. The weights can deviate, depending on the sheet metal thickness and the type of flange used. The flange weight is included flat-rate. The loads based on a mineral wool weight of 80 kg/m² and a thickness of 5 cm.

Weights of galvanized ventilation ducts in kg/m with (80 kg/m³, 5 cm thickness)

Sheet metal 0.75		Sheet metal 0.88								Sheet metal 1.00						Sheet metal 1.13						Sheet metal 1.25					◀ B	▼ H
200	224	250	280	315	355	400	450	500	560	630	710	800	900	1000	1120	1250	1400	1600	1800	2000	2240	2500	2800	3150				
9.1	9.6	10.2	12.1	13.0	14.0	15.2	16.4	17.7	21.0	22.9	25.1	27.6	30.4	33.2	39.8	43.8	48.3	54.3	60.4	66.4	79.4	87.8	97.6	109.0	200			
	10.2	10.8	13.8	13.6	14.6	15.8	17.0	18.3	21.7	23.6	25.8	28.3	31.1	33.8	40.6	44.5	49.0	55.0	61.1	67.1	80.2	88.6	98.4	109.8	224			
		11.4	14.5	14.3	15.3	16.4	17.7	19.0	22.4	24.3	26.5	29.0	31.8	34.5	41.3	45.3	49.8	55.8	61.9	67.9	81.0	89.5	99.2	110.6	250			
			15.3	15.0	16.0	17.2	18.4	19.7	23.2	25.1	27.3	29.8	32.6	35.4	42.2	46.2	50.7	56.7	62.8	68.8	82.0	90.4	100.2	111.6	280			
				15.9	16.9	18.1	19.3	20.6	24.2	26.1	28.3	30.8	33.6	36.3	43.3	47.2	51.8	57.8	63.8	69.9	83.1	91.6	101.3	112.7	315			
					17.9	19.1	20.3	21.6	25.3	27.2	29.4	31.9	34.7	37.4	44.5	48.4	53.0	59.0	65.0	71.1	84.4	92.9	102.6	114.0	355			
						20.2	21.5	22.7	26.5	28.5	30.7	33.2	35.9	38.7	45.9	49.8	54.3	60.4	66.4	72.4	85.9	94.3	104.1	115.5	400			
							22.7	24.0	27.9	29.8	32.0	34.5	37.3	40.1	47.4	51.3	55.8	61.9	67.9	73.9	87.5	96.0	105.7	117.1	450			
								25.3	29.3	31.2	33.4	35.9	38.7	41.4	48.9	52.8	57.3	63.4	69.4	75.4	89.1	97.6	107.4	118.7	500			
									30.9	32.9	35.1	37.6	40.3	43.1	50.7	54.6	59.1	65.2	71.2	77.3	91.1	99.5	109.3	120.7	560			
										34.8	37.0	39.5	42.3	45.0	52.8	56.7	61.3	67.3	73.3	79.4	93.4	101.8	111.6	123.0	630			
											39.2	41.7	44.5	47.2	55.2	59.1	63.7	69.7	75.7	81.8	96.0	104.4	114.2	125.6	710			
												44.2	47.0	49.7	57.9	61.9	66.4	72.4	78.5	84.5	98.9	107.4	117.1	128.5	800			
													49.7	52.5	61.0	64.9	69.4	75.4	81.5	87.5	102.1	110.6	120.4	131.8	900			
														55.3	64.0	67.9	72.4	78.5	84.5	90.5	105.4	113.9	123.6	135.0	1000			
															67.6	71.5	76.0	82.1	88.1	94.1	109.3	117.8	127.5	138.9	1120			
																75.4	80.0	86.0	92.0	98.1	113.5	122.0	131.8	143.1	1250			
																	84.5	90.5	96.6	102.6	118.4	126.9	136.6	148.0	1400			
																		96.6	102.6	108.6	124.9	133.4	143.1	154.5	1600			
																			108.6	114.7	131.4	139.9	149.6	161.0	1800			
																				120.7	137.9	146.4	156.2	167.5	2000			
																					145.7	154.2	164.0	175.3	2240			
																						162.7	172.4	183.8	2500			
																							182.2	193.6	2800			
																								204.9	3150			

Spiral lock seam pipe, round, acc. to DIN EN12237

DN	71	80	90	100	112	125	140	150	160	180	200	224	250	280	300	315	355	400	450	500	560	600	630	710	800	900	1000	1120	1250
Pipe outer-Ø [mm]	75	84	94	105	117	130	145	155	165	185	205	229	255	285	307	322	362	407	457	507	567	609	639	719	810	1012	1012	1132	1262
Sheet thickness [mm]	0.4	0.4	0.4	0.6	0.6	0.6	0.6	0.6	0.6	0.6	0.6	0.6	0.6	0.6	0.8	0.8	0.8	0.8	0.8	0.8	0.8	1.0	1.0	1.0	1.0	1.0	1.2	1.2	1.2
Pipe weight empty [kg/m]	0.8	0.9	1.0	1.7	1.9	2.1	2.4	2.6	2.7	3.1	3.4	3.8	4.2	4.7	5.2	7.1	8.0	9.0	10.2	11.3	12.6	13.5	17.7	20.0	22.5	25.4	34.9	39.1	43.7

Important dimensions, variables and units

Comparison of material standards

Description	DIN EN ISO		ASTM
	Material-No.		
S 250 GD+Z	1.0242	EN 10027-2	A 653
DD11	1.0332	DIN EN 10111	A 621 CQ
DC01	1.0330	DIN EN 10130	A 366
St 22	1.0320	DIN 1614-1	n/a
DX51D+Z 275 NA-C	1.0226+Z	DIN EN 10327	A 653/CQ
S235JR	1.0037	DIN EN 10025	A 283
S 355 MC	1.0976	DIN EN 10149	n/a
4.6 ; 4.8	DIN EN ISO 898-1		F 568M

Variables and units						
Size	Formula symbol	Unit	SI	others	related	Note
Length	l	m			1 m = 10 dm = 100 cm = 1.000 mm 1 mm = 1.000 µm 1 km = 1.000 m	1 inch = 1 Zoll = 25.4 mm
Area	A, S	m ²		a, ha	1 m ² = 10.000 cm ² = 1.000.000 m ² 1 a = 100 m ² 1 ha = 100 a = 10.000 m ²	
Volume	V	m ³		l	1 m ³ = 1.000 dm ³ = 1.000.000 cm ³ 1 l = 1 dm ³ = 0.001 m ³ 1 ml = 1 cm ³	
Time	t	s		min, h, d	1 min = 60 s 1 h = 60 min = 3.600 s 1 d = 24 h	
Frequency	f	Hz			1 Hz = 1/s	
Speed	v	m/s		m/s, km/h	1 m/s = 3.6 km/h	
Acceleration	a, g	m/s ²			g = 9.81 m/s ²	Formula symbol g for gravity only
Weight	m	kg		g, t	1 kg = 1.000 g 1 t = 1.000 kg	
Density	ρ	kg/m ³			1.000 kg/m ³ = 1 t/m ³ = 1 kg/dm ³	
Moment of inertia, 2 nd degree	J	kg • m ²				Previously: mass moment of inertia
Force	F	N			1 N = 1 kg • m/s ²	Previously: kp (Kilopond) 1 kp = 9.80665 kgm/s ² = 9.81 N
Torque	M	N • m				
Bending moment	M _b	N • m				
Torsion moment	T	N • m				
Mechanical tension	σ, τ	N/m ²				
Area-wise moment, 2 nd degree	I	m ⁴				Previously: area moment of inertia
Energy, work	E, W	J			1 J = 1 N • m = 1 W • s	in former times: cal (Calorie) 1 cal = 4.1868 Ws = 4.19 J
Power	P	W			1 W = 1 J/s = 1 N • m/s	in former times: PS (Horse power) 1 PS = 75 kpm/s = 75 • 9.81 N/ms = 0.736 kW
Thermodynamic temperature	T	K			0 °C = 273 K; -273 C = 0 K	
Heat quantity	Q	J		(Wh)	1 J = 1 W • s = 1 N • m	
Specific heat value	H	J/kg				
Substance quantity	n	mol			1 mol corresponds to approx. 6 • 10 ²³	
Light intensity	I _v	cd				

Approvals, markings and their importance

In the following, excerpts of approvals that are currently issued in Europe and their symbols will be given with their corresponding importance. Please check whether your application is safety relevant.

An application is safety relevant when failure of anchorages would cause risk to human life or serious injuries and/or lead to considerable economic consequences. In this case please use anchors with a European Technical (ETA) or with a German Approval. You may recognise these anchors by:



European Technical Approval: issued by a European approval authority (e.g. DIBt) on the basis of the guidelines for European technical approvals

(ETAG) ETA: European Technical Approval/Options 1 - 12
CE: European conformity mark confirms the compliance of the building product

(e.g. fixing) with the guidelines for European Technical Approvals. Products with the CE mark can be freely traded in the European economic market.

European Technical Approval: Additional information about seismic performance is given for approval anchor system below the ETA sign.



General building authority approval: German approval, issued by the DIBt, Berlin. Proof of compliance of the building product with the general building authority approval, confirmed by a material testing facility.

FM Certificate: Recognised for use in local water-based fire extinguisher systems (Factory Mutual Research Corporation for Property Conservation, American insurance company).

General building authority approval: German approval, issued by the DIBt, Berlin for anchorings in concrete to be dimensioned according to Method A (CC method). Proof of compliance of the building product with the general building authority approval, confirmed by a material testing facility.

ICC = International Code Council, formed from BOCA, ICBO & SBCCI: ICC Evaluation Service Inc. (ICC ES) issues evaluation reports, in this case for the above anchor based upon the Uniform Building Code™ and related codes in the United States of America.



ZTV: Fire behaviour tested according temperature – time curve of ZTV-ING: 2003-1, part 5 tunnel.



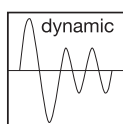
Biobased 50-85%: tested by DIN CERTCO/ TÜV Rheinland.



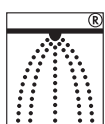
RWS: Fire behaviour tested according Rijkswaterstaat (RWS) time - temperature curve.



Nylon Quality: Fixing of high-quality, aging-resistant nylon (polyamide).



Fixing that can be dynamically loaded: The fixing is suitable and approved for anchoring of “not predominantly static” (i.e. dynamic) loads.



Sprinkler Systems: Meets the requirements according to VdS CEA 4001.



Seismic: The anchor system is suitable for loads under seismic action.



Tested for flame resistance according to VDE.



Fire-tested product MLAR: The product was subjected to a fire test. A “Examination report regarding testing according the german Muster-Leitungsanlagenrichtlinie” (MLAR) is available.



Fire-tested fixing: The fixing or installation product was subjected to a fire test. A “Examination report regarding testing for fire behaviour” according EN 13501 (with R class) is available.



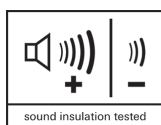
Fire-tested fixing: The fixing was subjected to a fire test. A “Examination report regarding testing for fire behaviour” (with R class) is available.



Fire-tested product DIN EN 1366-1: The product was subjected to a fire test. A "Examination report" according DIN EN 16366-1 is available.



Fire-tested product DIN 4102-2: The product was subjected to a fire test. A "Examination report" according DIN 4102-2 is available.



Sound insulation tested according DIN 4109: The product was subjected to a sound insulation test. A "measurement of the insertion loss" is available in a test report.



VdS-Certificate: Recognised for the use in local water-based fire extinguisher systems (formerly: Association of Property Insurers, now: VdS Damage Prevention)



UL Certificate: Recognised as pipe hangers for use e.g. in local water-based fire extinguisher systems (UL Online Certification Directory, VFXT.EX16429).

Main Catalogue Fixing Systems

All facts about the fischer fast and secure product selection and their applications.

- Presentation of products and systems with detailed technical data and illustrations.
- Installation and application support.
- Load tables and technical datas.
- Fundamentals of fastening technology
- Basic knowledge of installation systems.
- Available design software.

📞 **Order now:** info@fischer.com



Main Catalogue Screws

All facts about the fischer screw range and their applications.

- Presentation of products with detailed technical data and illustrations.
- Load tables for construction screws.
- Application support.
- Basic knowledge about connections with screws
- Available design software.

📞 **Order now:** info@fischer.com

International FireStop Handbook

All facts about the fischer FireStop systems and their applications.

- Presentation of products and systems with detailed technical data and accordance to relevant international standards.
- Anchors suitable to fix sprinkler systems.
- Application support.
- Basic knowledge about active and passive fire prevention as well as air and acoustic sealing systems.

📞 **Order now:** info@fischer.com



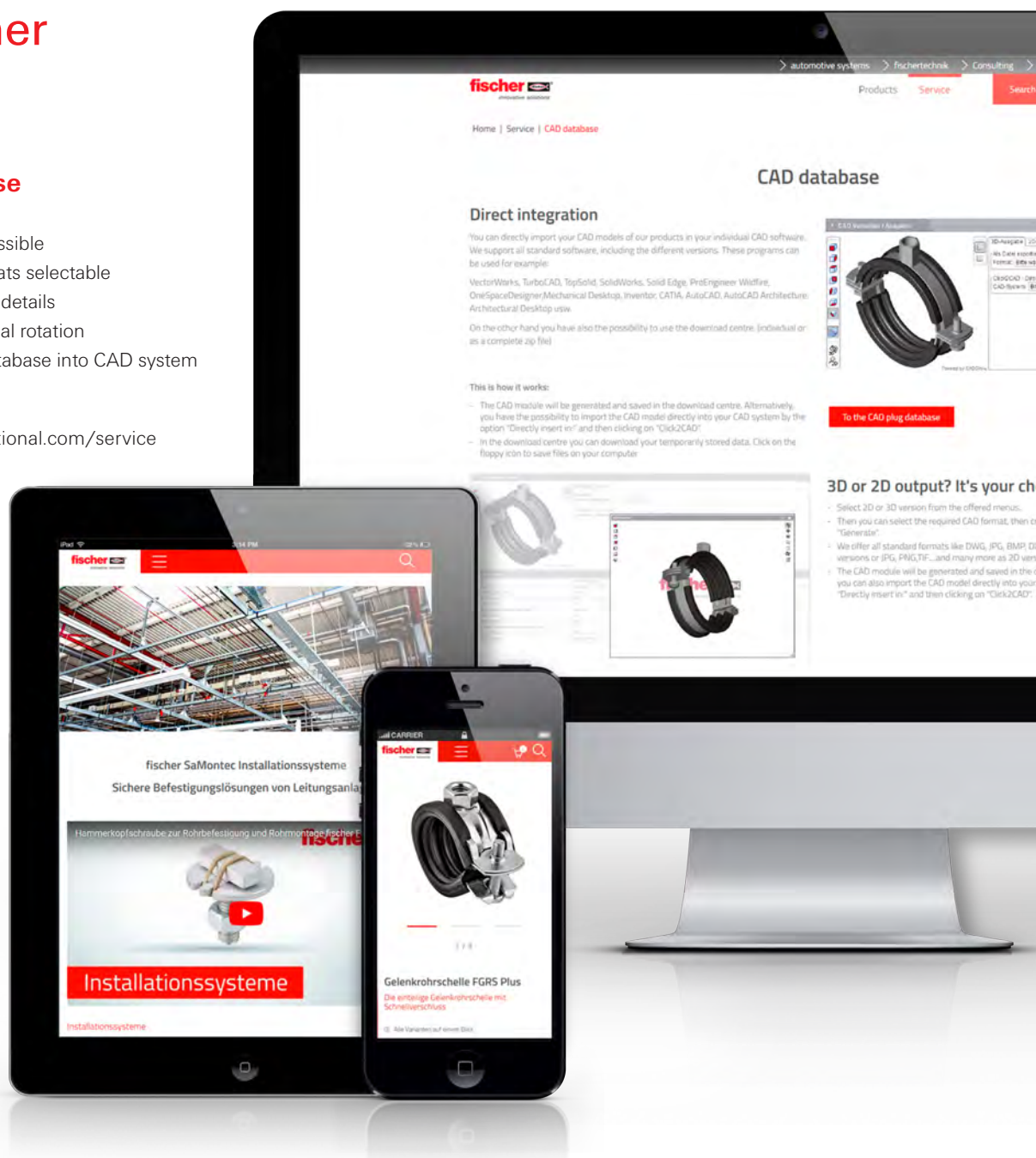
Join fischer online

3D CAD Database

- 2D and 3D export possible
- Various drawing formats selectable
- Low and high level of details
- 3D preview with spatial rotation
- Direct export from database into CAD system

 **Discover now:**

www.fischer-international.com/service



Product Online Catalogue

- Latest product information with continuous updating and/or expansion.
- Access to all important technical data, load tables and approvals and also CAD details in 2D and 3D.
- Technical tables separated according to materials with reference to current approvals.
- Compare the products in clear tables.
- Put your own catalogue together using the PDF export function – a PDF file will be generated from the current database.

- Product search allows you fast, direct access to product information.
- Looking for approvals? Under “Technical Documents” you will find the current document you are looking for with data on the approval number, validity and language version.

 **Discover now:**

www.fischer-international.com/products



Innovations to inspire professionals

DISCOVER MORE UNDER:



Germany

fischer Deutschland Vertriebs GmbH
Klaus Fischer-Straße 1
72178 Waldachtal
Tel.: +49 7443 12 6000
Fax: +49 7443 12 4500
E-Mail: info@fischer.de
http://www.fischer.de

Argentina

fischer Argentina s.a.
Armenia 3044
1605 Munro Ra-PCIA Buenos Aires
Tel.: +54 1147 62 27 78
Fax: +54 1147 56 13 11
E-Mail: asistenciaticnica@fischer.com.ar
http://www.fischer.com.ar

Austria

fischer Austria GmbH
Wiener Straße 95
2514 Traiskirchen
Tel.: +43 2252 53730 0
Fax: +43 2252 53730 70
E-Mail: office@fischer.at
http://www.fischer.at

Belgium

fischer Cobemabel snc
Schaliënhoedvedreef 20 D
2800 Mechelen
Tel.: +32 152 8 47 00
Fax: +32 152 8 47 10
E-Mail: info@fischer.be
http://www.fischer.be

Brazil

fischer brasil Industria e Comercio Ltda.
Estrada do Dende, 300 Ilha do Governador
21920-001 Rio de Janeiro-RJ
Tel.: +55 21 2467 1130
Fax: +55 21 2467 0144
E-Mail: fischer@fischerbrasil.com.br
http://www.fischerbrasil.com.br

China

fischer (Taicang) fixings Co. Ltd.
Shanghai Rep. Office Rm 1503-1504, No. 63 Chifeng Road
200092 Shanghai
Tel.: +86-021-65975388
Fax: +86-021-65979622
E-Mail: ficnsh@fischer.com.cn
http://www.fischer.com.cn

China

fischer (Taicang) fixings Co. Ltd.
Building 1, No.105 North Dongcang Rd.
215400 Taicang Jiangsu
Tel.: +86 512 53 58 89 38
Fax: +86 512 53 58 89 48
E-Mail: ficn@fischer.com.cn
http://www.fischer.com.cn

Czech Republic

fischer international s.r.o.
Průmyslová 1833
25001 Brandýs nad Labem
Tel.: +42 03 26 90 46 01
Fax: +42 03 26 90 46 00
E-Mail: info@fischer-cz.cz
http://www.fischer-cz.cz

Denmark

fischer a/s
Sandvadsvej 17 A
4600 Køge
Tel.: +45 46 32 02 20
Fax: +45 46 32 50 52
E-Mail: fidk@fischerdanmark.dk
http://www.fischerdanmark.dk

Finland

fischer Finland Oy
Suomalaisentie 7 B
02270 Espoo
Tel.: +358 20 7414660
Fax: +358 20 7414669
E-Mail: orders@fischerfinland.fi
http://www.fischerfinland.fi

France

fischer S. A. S.
12, rue Livio, P.O. Box 10182
67022 Strasbourg-Cedex 1
Tel.: +33 388 39 18 67
Fax: +33 388 39 80 44
E-Mail: info@fischer.fr
http://www.fischer.fr

Greece

fischer Hellas Emporiki EPE
Nat. Road Athens-Lamia (17th) Gamp; Roupef 6
Kifissia Athens
Tel.: +30 210 2838167
Fax: +30 210 2838169
E-Mail: info@fischer.gr
http://www.fischer.gr

Hungary

fischer Hungária Bt.
Szerémi út 7/b
1117 Budapest
Tel.: +36 1 347 97 55
Fax: +36 1 347 97 66
E-Mail: info@fischerhungary.hu
http://www.fischerhungary.hu

India

fischer BUILDING MATERIAL INDIA PVT LTD.
PRESTIGE GARNET UNIT NO-401, 4TH FLOOR 36, ULSOOR
ROAD
560042 Bangalore KARNATAKA
Tel.: +91 08041511991 92 93
Fax: +91 08041511989
E-Mail: info@fischer.in
http://www.fischer.in

Italy

fischer italia S.R.L.
Corso Stati Uniti, 25, Casella Postale 391
35127 Padova Z.I. Sud
Tel.: +39 049 8 06 31 11
Fax: +39 049 8 06 34 01
E-Mail: sercli@fischeritalia.it
http://www.fischeritalia.it

Japan

fischer Japan K.K.
Seishin Kudan Building 3rd Floor 3-4-15 Kudan Minami
Chiyoda-ku
102-0074 Tokyo
Tel.: +81 3 3263 4491
Fax: +81 3 6272 9935
E-Mail: info@fischerjapan.co.jp
http://www.fischerjapan.co.jp

Korea, Republic of

fischer Korea Co., Ltd
B-903, #131, Kasan Digital-1Ro, Geumcheon-gu
153-803 Seoul
Tel.: +82 1544 8955
Fax: +82 1544 8903
E-Mail: info@fiskerkorea.com
http://www.fiskerkorea.com

Mexico

fischer Sistemas de Fijación, S.A. de C.V.
Blvd. Manuel Avila Camacho 3130-400B
54020 Col. Valle Dorado, Tlalneplanita
Tel.: +52 55 55 72 08 83
Fax: +52 55 55 72 15 90
E-Mail: info@fischermex.com.mx
http://www.fischermex.com.mx

Netherlands

fischer Benelux B.V.
Amsterdamsestraatweg 45 B/C
1411 AX Naarden
Tel.: +31 35 6 95 66 66
Fax: +31 35 6 95 66 99
E-Mail: info@fischer.nl
http://www.fischer.nl

Norway

fischer Norge AS
Oluf Onsumsvei 9
0680 Oslo
Tel.: +47 23 24 27 10
Fax: +47 23 24 27 13
E-Mail: ordre@fischernorge.no
http://www.fischernorge.no/

Philippines

fischer PH Asia, Inc.
No 100 Congressional Avenue, Project 8
1106 Quezon City
Tel.: +63 2426 / 0888 217
Fax: +63 28803256
E-Mail: joselito.ladlad@fischerph.com
http://www.fischer.ph

Poland

fischerpolska Sp.z o.o
ul. Albatrosow 2
30-716 Kraków
Tel.: +48 12 2 90 08 80
Fax: +48 12 2 90 08 88
E-Mail: info@fischerpolska.pl
http://www.fischerpolska.pl

Portugal

fischerwerke Portugal, Lda.
Av. Casal da Serra Nº 7, R/C
2625-085 Póvoa de Santa Iria
Tel.: +351 21 953 74 50
Fax: +351 21 959 13 90
E-Mail: fischerportugal.info@fischer.es
http://www.fischer.pt

Romania

fischer fixings Romania S.R.L.
Calea Baciului Nr. 179
Cluj-Napoca
Tel.: +40 264 455 166
Fax: +40 264 403 060
E-Mail: office@fischer.com.ro
https://www.fischer.com.ro

Russian Federation

000 fischer Befestigungssysteme Rus
Leningradskoe shosse, 47, Bldg. 2, 2nd floor, apt. VI
125195 Moscow
Tel.: +7 495 223 03 34
Fax: +7 495 223 03 34
E-Mail: info@fischerfixings.ru
http://www.fischerfixings.ru

Singapore

fischer systems Asia Pte. Ltd.
4 Kaki Bukit Avenue 1, #01-06
417939. Singapore
Tel.: +65 6741 0480
Fax: +65 6741 0481
E-Mail: sales@fischer.sg
http://www.fischer.sg

Slovakia

fischer S.K. s.r.o.
Nová Rožňavská 134 A
831 04 Bratislava
Tel.: +421 2 4920 6046
Fax: +421 2 4920 6044
E-Mail: info@fischerwerke.sk
http://www.fischer-sk.sk

Spain

fischer Ibérica S.A.U.
Klaus Fischer 1
43300 Mont-Roig del Camp Tarragona
Tel.: +34 977 83 87 11
Fax: +34 977 83 87 70
E-Mail: servicio.cliente@fischer.es
http://www.fischer.es

Turkey

fischer Metal Sanayi Ve Ticaret Ltd Sti
Cevizli Mahallesi, Mustafa Kemal Paşa Cad. Seyit Gazi Sok.
No 66, Hukukcular Towers A Blok
34865 Kartal İstanbul
Tel.: +90 216 326 0066
Fax: +90 216 326 0018
E-Mail: info@fischer.com.tr
http://www.fischer.com.tr

United Arab Emirates

fischer FZE
R/A 07, BA - 04, Jebel Ali Free Zone
Dubai
Tel.: +97 14 8 83 74 77
Fax: +97 14 8 83 74 76
E-Mail: enquiry@fischer.ae
http://www.fischer.ae

Sweden

fischer Sverige AB
Tennngatan 4
602 23 Norrköping
Tel.: +46 11 31 44 52
Fax: +46 11 33 1950
E-Mail: gg@fishersverige.se
http://www.fishersverige.se

United Kingdom

fischer fixings UK Ltd.
Whitely Road
Oxon OX10 9AT Wallingford
Tel.: +44 1491 82 79 00
Fax: +44 1491 82 79 53
E-Mail: info@fischer.co.uk
http://www.fischer.co.uk

United States

fischer fixings LLC
1084 Doris Rd
48326 Auburn Hills, MI
Tel.: +1 973 256 3045
Fax: +1 845 625 2666
E-Mail: sales@fisherus.net
http://fischerfixings.com

article	page	article	page	article	page
Air conditioner fixing KSU	256	Connector FCN Clix P hdg. / FCN Clix M hdg.	221	Push-through connector PFCN 41	105
Air conditioner fixing MCE	254	Cover cap AK	69	Reduction pieces	187
Angle brace WS 31- 45°	70	Cover cap FEC	104	Reduction socket RDM and GRD	188
Angle bracket MW and MWU	84	Cover cap FEC	147	Refrigeration pipe clamp FRS K	46
Angle bracket MW Clix 90°	82	Cover cap FEC	208	Refrigeration pipe clamp KFT	48
Angle bracket PWK	109	Cross connector FVS II	142	Rubber inlay EMS	168
Angle bracket WK hdg.	226	Double connector plate DPP, DPF	183	Saddle clip SCH	272
Base plate GPL	178	Eyebolt AG	188	Saddle flange PSF	107
Base plate GPR	178	FDCC	97	Saddle flange SF	125
Beam Clamp Steel TKLS Steel Bite	174	Flanges FUF hdg.	235	Saddle flange SF A2	244
Beam clamp TKR	133	Flanges FZF	136	Saddle flange SF Clix 31	80
Beam clamp TKR	146	Flat eye screw LLS	188	Saddle flange SF hdg.	224
Beam clamp TKR	248	FLS Cutting Tool	65	Saddle flange SF L A4	246
Beam clamp TKR 31	87	FUS Channel A2/A4	245	Sanitary fixings for board materials	290
Beam clamp TKR hdg.	230	Heavy duty pipe clamp FRSM - inch	42	Silicone pipe clamp FRSH	36
Bolt connector SBB	184	Heavy duty pipe clamp FRSM - metric	44	Sliding channel nut FSM Clix M	76
Bracing elements PSAE	111	Hexagonal connector VM	146	Sliding channel nut FSM Clix P	74
Bracket FAF hdg.	234	Hexagonal connector VM A4	250	Sound absorption element PA	257
Bracket FFF	134	Hexagonal nut MU	145	Spacer pipe clamp AM	278
Bracket FFF hdg.	232	Hexagonal nut MU	186	Spiral duct hanger LRBN / LRB	165
Bracket PFAF	114	Hexagonal nut MU A4	251	Sprinkler clamp FRSL	54
Bracket PFFF	113	Hexagonal nut MU hdg.	238	Sprinkler clamp FRSP	52
Bracket PFUF	115	Hexagonal screw SKS	145	Stud screw STS A2/A4	249
Bracket PFUF D	116	Hexagonal screw SKS	185	Stud screw STST with bit head and Hex shank	179
Cable clasp KB	264	Hexagonal screw SKS A4	251	Support hanger AHB	180
Cable harness SHA	266	Hexagonal screw SKS hdg.	238	Textile web strapping GWB	189
Cable tie BN / UBN	284	Hexagonal connector VM	186	T-head bolt FHS Clix	78
Cantilever arm ALK	67	Hinged pipe clamp FGRS	24	T-head bolt FHS Clix A2	243
Cantilever arm ALK A2	243	Hinged pipe clamp FGRS Plus	22	T-head bolt FHS Clix S	119
Cantilever arm FCA	99	Hinged pipe clamp FKS Plus for plastic pipes	26	Thread hanger RAH	187
Cantilever arm FCA A4	245	Hole punch LZ, hole stamp LST	167	Threaded rod bracket FSB 45°	132
Cantilever arm FCA hdg.	204	Hose clamp SGS	58	Threaded rod bracket FSB 45° hdg.	229
Ceramic fixings	292	Impact nail ED	191	Threaded rod G	144
Channel connector FUF OC	144	Impact nail ED	282	Threaded rod G / Threaded stud GS	176
Channel connector FUF OC and PFUF OC	96	Installation angle bracket MW A2	244	Threaded rod G A2/A4	250
Channel connector FUF OC hdg.	203	Installation tool for stud screw HED	184	Threaded rod G hdg.	237
Channel connector SV 31	72	Large cantilever arm FCAM	103	Threaded stud GS A4	250
Channel FLS	62	Large cantilever arm FCAM hdg.	207	Turnbuckle SPS, Bolt left-hand/ right-hand BLR	146
Channel FUS	90	LGS	164	Turnbuckle SPS, Bolt left-hand / right-hand BLR	184
Channel FUS	143	Mounting bracket FAF	135	U-bolt ETR	51
Channel FUS hdg.	198	Mounting bracket FAF A4	246	U-Clamp FUBD	56
Channel MS-L A2	243	Mounting bracket UWS	126	Universal bracket PUWS	108
Channel nut FCN	123	Mounting bracket UWS hdg.	225	Universal hinge FUH	130
Channel nut FCN	148	Multi connector MW	181	Universal hinge FUH	147
Channel nut FCN Clix P	147	Nail clip NS / MNS	274	Universal mounting UHRS	129
Channel nut FCSN	121	Nail disc NSB	276	Variable bracket PVB	110
Channel nut HG A2	244	Parallel connector PV	182	Variable bracket VB	131
Channel washer HK 31	86	Perforated steel banding LBV / LBK	190	Variable bracket VB hdg.	228
Channel washer HK 41	124	Pipe clamp FRS	34	Ventilation duct clamp	162
Channel washer HK 41	144	Pipe clamp FRS A2/A4	242	Wash basin and urinal fixings	294
Channel washer HK 41	248	Pipe clamp FRS Plus	28	Washer U	145
Channel washer HK 41 hdg.	223	Pipe clamp FRS Triple	32	Washer U	185
Clamp hanger TKL	172	Pipe clamp FRS zl	196	Washer U A4	251
ClipFix plus LS/ES/ZS	260	Pipe clamp FRS-L Universal	30	Washer U mz	237
ClipFix plus SD	262	Pipe clamp FRSN	40	Wireclip	286
Clix channel nut FCN Clix A4	249	Pipe clamp FRSN Triple	38		
Conduit clip BSM	280	Pipe clip FC	270		
Connector FCN Clix P and FCN Clix M	117	Pipe clip RC	268		

art.-no.	article	page	art.-no.	article	page	art.-no.	article	page
014319	VM M 6	186	024639	LGS 560	163	044112	FNA II 6 x 30 M6/5 A4	316
014320	WDP 10 x 170	291	024640	LGS 600	163	044113	FNA II 6 x 30 M6/5 C	316
014570	ED 22	192	024643	LGS 800	163	044114	FNA II 6 x 30 M8/5	316
014570	ED 22	283	024644	LGS 900	163	044115	FNA II 6 x 30/5	315
015014	BSM 6	281	024645	LGS 1000	163	044116	FNA II 6 x 30/30	315
015015	BSM 8	281	024646	LGS 1120	163	044117	FNA II 6 x 30/50	315
015016	BSM 10	281	024647	LGS 1250	163	044118	FNA II 6 x 30/75	315
015017	BSM 12	281	024648	DPF 60 - 105	183	044119	FNA II 6 x 30/100	315
015018	BSM 14	281	024649	U 12 x 40	145	044120	FNA II 6 x 30/120	315
015019	BSM 30	281	024649	U 12 x 40	185	044121	FNA II 6 x 25/5	315
015021	BSM 42	281	024650	MU M 12	145	044122	FNA II 6 x 30/5 A4	315
015068	BSMD 10	281	024650	MU M 12	186	044123	FNA II 6 x 30/30 A4	315
015069	BSMD 12	281	024671	LKH	164	044124	FNA II 6 x 30/5 C	315
015070	BSMD 14	281	024674	ZKH	164	044125	FNA II 6 x 30/30 C	315
015076	BSMD 26	281	024675	LRB	165	044559	WIC 2 VE20	287
015081	BSMD 42	281	024827	SX 6 x 50	332	044560	WIC 2 VE100	287
015082	BSMD 47	281	024828	SX 8 x 65	332	044561	WIC 3 VE20	287
015093	BSM 15	281	024829	SX 10 x 80	332	044564	WIC 4 VE50	287
018652	WB 5N	293	033208	PUP M3	336	044565	WI Ø 2 mm	287
019802	BN 3,6 x 200	285	033211	FIS HB 345 S	318	044630	EHS M 6 x 25/30 Plus	314
020914	FHS CLIX S 8 x 30	120	037289	GPR 1/2"	178	044631	EHS M 8 x 25/30 Plus	314
020915	FHS CLIX S 8 x 40	120	037489	BN 2,6 x 160	285	044632	EHS M 8 x 40 Plus	314
020916	FHS CLIX S 8 x 60	120	037490	BN 3,6 x 300	285	044633	EHS M 10 x 40 Plus	314
020917	FHS CLIX S 10 x 30	120	037501	BN 4,5 x 160	285	044634	EHS M 12 x 50 Plus	314
020918	FHS CLIX S 10 x 40	120	037573	UBN 3,6 x 200	285	044635	EHS M 16 x 65 Plus	314
020919	FHS CLIX S 10 x 60	120	037581	BN 4,8 x 178	285	044636	EHS M 20 x 80 Plus	314
020936	RD M 8 / M 6	187	037582	BN 4,8 x 250	285	044721	WIZ	287
020947	PV M 6	182	037583	BN 4,8 x 370	285	044969	FIS A M 10 x 170	321
020949	TKL M 12	173	037653	BN 4,8 x 350	285	044971	FIS A M 12 x 120	321
020956	G 6	176	037708	BN 4,8 x 430	285	044972	FIS A M 16 x 130	321
020957	G 12	176	037945	BN 7,8 x 180	285	044973	FIS A M 10 x 170 A4	321
020958	G 16	176	037949	BN 7,8 x 300	285	044974	FIS A M 12 x 120 A4	321
020959	GWB	189	037996	BN 7,6 x 450	285	044975	FIS A M 16 x 130 A4	321
020968	GPS 3/4"	178	037997	BN 7,6 x 550	285	045517	SGS 9 W2 8 - 12	58
020969	FHS CLIX S 12 x 30	120	037998	BN 8,8 x 760	285	045518	SGS 9 W2 10 - 16	58
020971	VM M 12	146	038000	BN 8,8 x 810	285	045519	SGS 9 W2 12 - 20	58
020971	VM M 12	186	038002	BN 8,8 x 1168	285	045520	SGS 9 W2 16 - 27	58
024415	ETR 8 - 13	51	040390	FUS 41/2,0 - 2 m	91	045521	SGS 9 W2 20 - 32	58
024416	ETR 12 - 17	51	040391	FUS 21/2,0 - 2 m	91	045522	SGS 9 W2 25 - 40	58
024417	ETR 15 - 21	51	040398	GPS M 12	178	045523	SGS 9 W2 32 - 50	58
024418	ETR 20 - 27	51	041900	FIS H 12 x 50 K	324	045524	SGS 9 W2 40 - 60	58
024419	ETR 26 - 34	51	041901	FIS H 12 x 85 K	324	045525	SGS 9 W2 50 - 70	58
024420	ETR 33 - 42	51	041902	FIS H 16 x 85 K	324	045526	SGS 9 W2 60 - 80	58
024421	ETR 40 - 49	51	041903	FIS H 16 x 130 K	324	045527	SGS 9 W2 70 - 90	58
024422	ETR 50 - 60	51	041904	FIS H 20 x 85 K	324	045528	SGS 9 W2 80 - 100	58
024423	ETR 60 - 70	51	042535	FRS 15 - 19 M8/M10	35	045529	SGS 9 W2 90 - 110	58
024424	ETR 66 - 76	51	042536	FRS 20 - 24 M8/M10	35	045530	SGS 9 W2 100 - 120	58
024425	ETR 70 - 82	51	042537	FRS 25 - 30 M8/M10	35	045531	SGS 9 W2 110 - 130	58
024426	ETR 80 - 90	51	042538	FRS 32 - 37 M8/M10	35	045532	SGS 9 W2 120 - 140	58
024427	ETR 90 - 102	51	042554	FRS 40 - 45 M8/M10	35	045685	Thermax 8/60 M6	328
024428	ETR 100 - 108	51	042555	FRS 55 - 61 M8/M10	35	045686	Thermax 8/80 M6	328
024429	ETR 102 - 114	51	043275	TKL Ø 13	173	045687	Thermax 8/100 M6	328
024430	ETR 121 - 127	51	043365	Ersatzteilset für SZE	192	045688	Thermax 8/120 M6	328
024431	ETR 126 - 133	51	043365	Ersatzteilset für SZE	283	045689	Thermax 8/140 M6	328
024432	ETR 131 - 140	51	043631	FIS E 11 x 85 M6	324	045690	Thermax 8/160 M6	328
024433	ETR 143 - 153	51	043632	FIS E 11 x 85 M8	324	045691	Thermax 8/180 M6	328
024434	ETR 150 - 159	51	043633	FIS E 15 x 85 M10	324	045692	Thermax 10/100 M6	328
024435	ETR 168	51	043634	FIS E 15 x 85 M12	324	045693	Thermax 10/120 M6	328
024436	ETR 193,7	51	043994	FIS V 360 S	322	045694	Thermax 10/140 M6	328
024437	ETR 219	51	044109	FNA II 6 x 30 M6/5	316	045695	Thermax 10/160 M6	328
024637	LGS 450	163	044110	FNA II 6 x 30 M6 x 41	316	045696	Thermax 10/180 M6	328
024638	LGS 500	163	044111	FNA II 6 x 25 M6/5	316	045697	Thermax 10/100 M8	328

art.-no.	article	page	art.-no.	article	page	art.-no.	article	page
045698	Thermax 10/120 M8	328	048161	SF plus ZS 18	261	050010	FRSN 131 - 136 M8/M10	41
045699	Thermax 10/140 M8	328	048162	SF plus ZS 28	261	050023	FRSN 137 - 146 M8/M10	41
045700	Thermax 10/160 M8	328	048171	SF plus KB 8	265	050326	KM 10	291
045702	Thermax 10/100 M10	328	048172	SF plus KB 16	265	050427	PU 750 B3 (EN/FR/AR)	333
045703	Thermax 10/120 M10	328	048181	SF plus MS	267	051290	Thermax 12/110 M12 B	329
045704	Thermax 10/140 M10	328	048190	SF plus RC IEC 12	269	051291	Thermax 12/110 M12	329
045705	Thermax 10/160 M10	328	048191	SF plus RC IEC 16	269	051292	Thermax 16/170 M12 B	329
045956	WIS 2/1	287	048193	SF plus RC IEC 20	269	051293	Thermax 16/170 M12	329
045957	WIS 2/2	287	048197	SF plus RC IEC 25	269	051537	Thermax 12/110 M12 A4	329
045958	WIS 2/3	287	048198	SF plus RC IEC 32	269	051543	Thermax 16/170 M12 A4	329
045959	WIS 2/5	287	048199	SF plus RC IEC 40	269	052370	FHB II-A L M20 x 210/150	320
045960	WIS 2/10	287	048212	ED 15	192	052456	FFC 2/30-32	343
046022	FNA II 6 x 30 M6/10	316	048212	ED 15	283	052480	FFC 2/38-40	343
046024	FNA II 6 x 30/50 A4	315	048264	EA II M 6 x 30	313	052481	FFC 2/55	343
046204	FIS A M 6 x 70	323	048284	EA II M 8 x 30	313	052482	FFC 2/63	343
046329	SXR 10 x 60 FUS	326	048308	NSB 2/40	277	052483	FFC 2/75	343
046330	SXR 10 x 80 FUS	326	048309	NSB 2/50	277	052486	FFC 2/82	343
046331	SXR 10 x 100 FUS	326	048310	NSB 2/60	277	052487	FFC 2/90	343
046332	SXR 10 x 120 FUS	326	048311	NSB 3/40	277	052488	FFC 2/110	343
046333	SXR 10 x 140 FUS	326	048312	NSB 3/50	277	052489	FFC 2/125	343
046334	SXR 10 x 160 FUS	326	048313	NSB 3/60	277	052500	FFC 2/160	343
046335	SXR 10 x 180 FUS	326	048323	EA II M 8 x 40	313	052501	FFC 2/200	343
046336	SXR 10 x 200 FUS	326	048332	EA II M 10 x 30	313	053011	FIAM 310 (DE,FR,EN,NL)	341
046337	SXR 10 x 230 FUS	326	048339	EA II M 10 x 40	313	053085	PUR 500 (DE/EN)	336
046338	SXR 10 x 260 FUS	326	048406	EA II M 12 x 50	313	053090	DBSA TP (DE/EN)	334
046339	SXR 10 x 60 FUS A4	326	048408	EA II M 16 x 65	313	053091	DBSA W (DE/EN)	334
046340	SXR 10 x 80 FUS A4	326	048409	EA II M 20 x 80	313	053092	DBSA GR (DE/EN)	334
046342	SXR 10 x 100 FUS A4	326	048410	EA II M 6 x 30 A4	313	053094	DBSA SW (DE/EN)	334
046343	SXR 10 x 120 FUS A4	326	048411	EA II M 8 x 30 A4	313	053100	DSSA TP (DE/EN)	334
046344	SXR 10 x 140 FUS A4	326	048412	EA II M 8 x 40 A4	313	053101	DSSA W (DE/EN)	334
046345	SXR 10 x 160 FUS A4	326	048414	EA II M 10 x 40 A4	313	053102	DSSA GR (DE/EN)	334
046361	SXR 10 x 180 FUS A4	326	048415	EA II M 12 x 50 A4	313	053103	DSSA BG (DE/EN)	334
046362	SXR 10 x 200 FUS A4	326	048416	EA II M 16 x 65 A4	313	053105	DSSA DG (DE/EN)	334
046363	SXR 10 x 230 FUS A4	326	048417	EA II M 20 x 80 A4	313	053115	KP M1	336
046364	SXR 10 x 260 FUS A4	326	048487	EHS M 10 x 25/30 Plus	314	053117	KP M2	341
046632	FAZ II 20/30	304	048510	FFPS 2"	153	053120	DSSA SW (DE/EN)	334
046633	FAZ II 20/60	304	048511	FFPS 2 1/2"	153	056006	FIAM 600	341
046635	FAZ II 24/30	304	048512	FFPS 3"	153	058120	RC IEC 16	269
046636	FAZ II 24/60	304	048513	FFPS 4"	153	058122	RC IEC 20	269
046703	FIS H 20 x 130 K	324	048660	FFPS 5"	153	058135	KB 8	265
046704	FIS H 20 x 200 K	324	048662	FFPS 159 - 166	153	058136	KB 16	265
047303	FZEA II 10 x 40 M 8	307	048663	FFPS 6"	153	058139	SHA 15	267
047304	FZEA II 12 x 40 M10	307	048664	FFPS 8"	153	058140	SHA 30	267
047305	FZEA II 14 x 40 M12	307	048665	FFPS 10"	153	058141	SHA MS	267
047306	FZEA II 10 x 40 M 8 A4	307	048666	FFPK	153	058142	SHA KP	267
047307	FZEA II 12 x 40 M10 A4	307	049103	DDK TR (DE/EN)	335	058155	SF plus LS 3/13	261
047308	FZEA II 14 x 40 M12 A4	307	049459	FRSN 15 - 19 M8/M10	41	058156	SF plus LS 8/28	261
047309	FZEA II 10 x 40 M 8 C	307	049479	UWS	126	058157	SF plus LS 20/40	261
047310	FZEA II 12 x 40 M10 C	307	049789	FRSN 21 - 23 M8/M10	41	058173	NS 7	275
047316	FHS CLIX S 12 x 40	120	049790	FRSN 25 - 28 M8/M10	41	058174	NS 8	275
047726	SBS 12/16	155	049793	FRSN 32 - 36 M8/M10	41	058175	NS 9	275
048065	EMS M 6 x 25/30	314	049794	FRSN 38 - 43 M8/M10	41	058176	NS 10	275
048066	EMS M 8 x 25/30	314	049902	FRSN 44 - 49 M8/M10	41	058177	NS 12	275
048067	EMS M 8 x 40	314	049922	FRSN 50 - 56 M8/M10	41	058178	SF plus SD 30	263
048068	EMS M 10 x 25/30	314	049944	FRSN 57 - 61 M8/M10	41	058179	SF plus SD 40	263
048070	EMS M 10 x 40	314	049945	FRSN 63 - 70 M8/M10	41	058183	SF plus ES 28	261
048071	EMS M 12 x 50	314	049947	FRSN 70 - 77 M8/M10	41	058184	SF plus ZS 10	261
048072	EMS M 16 x 65	314	049948	FRSN 80 - 83 M8/M10	41	058194	RC IEC 12	269
048073	EMS M 20 x 80	314	049979	FRSN 83 - 91 M8/M10	41	058198	RC IEC 25	269
048151	SF plus ES 10	261	050006	FRSN 100 - 106 M8/M10	41	058199	RC IEC 32	269
048152	SF plus ES 18	261	050008	FRSN 108 - 114 M8/M10	41	058200	RC IEC 40	269
048154	SS-TKL M10/M12	173	050009	FRSN 123 - 128 M8/M10	41	058501	PUP 750 B3 (EN)	333

art.-no.	article	page	art.-no.	article	page	art.-no.	article	page
058530	DSSA SG (DE/EN)	334	060718	FZA 14 x 40 M10/25	306	064695	FRS 95 - 103 A2	242
060012	SCH 812	273	060719	FZA 14 x 60 M10/25	306	064697	FRS 4" A2	242
060016	SCH 1216	273	060721	FZA 18 x 80 M12/25	306	064709	FRS 121 - 127 A2	242
060019	FAZ 12/30 GS	273	060724	FZA 22 x 100 M16/60	306	064713	FRS 133 - 141 A2	242
060023	SCH 1623	273	060725	FZA 22 x 125 M16/60	306	064714	FRS 159 - 168 A2	242
060032	SCH 2332	273	060766	FZA 14 x 60 M10/50 A4	306	064864	FRS 3/8" A4	242
060042	SCH 3242	273	060767	FZA 18 x 80 M12/55 A4	306	064865	FRS 1/2" A4	242
060149	BSM 16	281	060768	FZA 22 x 125 M16/60 A4	306	064866	FRS 3/4" A4	242
060150	BSM 18	281	060772	FZA 10 x 40 M 6/10 A4	306	064868	FRS 1" A4	242
060151	BSM 20	281	060774	FZA 12 x 50 M 8/50 A4	306	064869	FRS 1 1/4" A4	242
060152	BSM 22	281	060775	FZA 12 x 40 M 8/15 A4	306	064870	FRS 1 1/2" A4	242
060153	BSM 24	281	060776	FZA 12 x 50 M 8/15 A4	306	064873	FRS 54 - 58 A4	242
060155	BSM 28	281	060778	FZA 14 x 40 M10/25 A4	306	064874	FRS 2" A4	242
060158	BSM 37	281	060779	FZA 14 x 60 M10/25 A4	306	064875	FRS 67 - 71 A4	242
060169	BSMD 16	281	060781	FZA 18 x 80 M12/25 A4	306	064879	FRS 2 1/2" A4	242
060170	BSMD 18	281	060782	FZA 22 x 100 M16/60 A4	306	064892	FRS 81 - 86 A4	242
060171	BSMD 20	281	062754	UX 6 x 35	331	064893	FRS 3" A4	242
060172	BSMD 22	281	062756	UX 6 x 35 R	331	064894	FRS 95 - 103 A4	242
060175	BSMD 28	281	062757	UX 14 x 75	331	064898	FRS 4" A4	242
060178	BSMD 37	281	062758	UX 12 x 70	331	064899	FRS 121 - 127 A4	242
060185	AM 8	279	063490	FRSH 15 - 19	37	064901	FRS 133 - 141 A4	242
060186	AM 10	279	063492	FRSH 20 - 24	37	064903	FRS 159 - 168 A4	242
060187	AM 12	279	063494	FRSH 25 - 30	37	064905	MS 27/18 A2 - 2 m	243
060188	AM 14	279	063495	FRSH 32 - 37	37	064975	FHS CLIX 10 x 30 A2	243
060189	AM 16	279	063498	FRSH 40 - 45	37	064977	HG 27 M 10 A2	244
060190	AM 18	279	063499	FRSH 48 - 53	37	065101	ALK 27/18 - 200 A2	243
060191	AM 20	279	063500	FRSH 54 - 59	37	065132	STS 8 x 80 A2	249
060192	AM 22	279	063502	FRSH 60 - 64	37	065153	STS 10 x 100 A2	249
060193	AM 24	279	063504	FRSH 68 - 73	37	065173	G 10 A2	250
060194	AM 26	279	063505	FRSH 72 - 78	37	065174	G 10 A4	250
060195	AM 28	279	063511	FRSH 80 - 86	37	068012	SCH 812 GR	273
060196	AM 30	279	063513	FRSH 87 - 92	37	068016	SCH 1216 GR	273
060200	BU M8 MH	296	063518	FRSH 95 - 103	37	068019	SCH 1619 GR	273
060201	BU M10 MH	296	063520	FRSH 102 - 116	37	068023	SCH 1623 GR	273
060204	BU M12 MH	296	063537	FRSH 133 - 141	37	068032	SCH 2332 GR	273
060209	AM 32	279	063559	WK 100/100	127	068060	FC 6 - 9 GR	271
060210	AM 34	279	063938	UHRS	129	068062	FC 9 - 12 GR	271
060211	AM 37	279	064037	PDH M 12	158	068064	FC 12 - 16 GR	271
060561	WCN 1	293	064038	GLL 3/4"	154	068066	FC 16 - 20 GR	271
060562	WCN 2	293	064041	GL 3/4"	154	068267	PDH K M 8	158
060564	S 8 D 70 WCR	293	064055	TKL L M 8	173	068269	PDH K M 10	158
060568	S 8 RD 80 WCR	293	064056	G 12/3	144	068435	FIS V 360 S	322
060570	S 8 RD 60 WCR	293	064056	G 12/3	176	069363	UBN 2,6 x 160	285
060652	FZA 12 x 50 M 8 D/10	306	064090	SPS M 12	146	069364	UBN 3,6 x 300	285
060653	FZA 12 x 60 M 8 D/10	306	064090	SPS M 12	184	069365	UBN 4,5 x 160	285
060654	FZA 12 x 80 M 8 D/30	306	064091	BLR 100 M12	146	069366	UBN 4,8 x 178	285
060657	FZA 14 x 80 M10 D/20	306	064091	BLR 100 M12	184	069367	UBN 4,8 x 250	285
060658	FZA 14 x 100 M10 D/40	306	064093	G 1/2"	176	069368	UBN 4,8 x 350	285
060663	FZA 22 x 125 M16 D/25	306	064094	TZ M 8	166	069369	UBN 4,8 x 370	285
060664	FZA 12 x 50 M 8 D/10 A4	306	064095	TZ M 10	166	069370	UBN 4,8 x 430	285
060665	FZA 12 x 60 M 8 D/10 A4	306	064290	FRS 3/8" A2	242	069372	UBN 7,8 x 180	285
060666	FZA 12 x 80 M 8 D/30 A4	306	064536	FRS 1/2" A2	242	069373	UBN 7,8 x 300	285
060669	FZA 14 x 80 M10 D/20 A4	306	064639	FRS 3/4" A2	242	069374	UBN 7,6 x 450	285
060670	FZA 14 x 100 M10 D/40 A4	306	064646	FRS 1" A2	242	069375	UBN 7,6 x 550	285
060672	FZA 18 x 100 M12 D/20 A4	306	064669	FRS 1 1/4" A2	242	069376	UBN 8,8 x 760	285
060673	FZA 18 x 130 M12 D/50 A4	306	064673	FRS 1 1/2" A2	242	069377	UBN 8,8 x 810	285
060675	FZA 22 x 125 M16 D/25 A4	306	064674	FRS 54 - 58 A2	242	069379	UBN 8,8 x 1168	285
060684	FZA 18 x 100 M12 D/20	306	064675	FRS 2" A2	242	070004	SX 4 x 20	332
060685	FZA 18 x 130 M12 D/50	306	064688	FRS 67 - 71 A2	242	070005	SX 5 x 25	332
060712	FZA 10 x 40 M 6/10	306	064689	FRS 2 1/2" A2	242	070006	SX 6 x 30	332
060715	FZA 12 x 40 M 8/15	306	064693	FRS 81 - 86 A2	242	070008	SX 8 x 40	332
060716	FZA 12 x 50 M 8/15	306	064694	FRS 3" A2	242	070010	SX 10 x 50	332

art.-no.	article	page	art.-no.	article	page	art.-no.	article	page
070012	SX 12 x 60	332	078179	BS ø 12	337	079472	FKS Plus 25 - 30	27
070014	SX 14 x 70	332	078180	BS ø 14	337	079473	FKS Plus 32 - 37	27
070016	SX 16 x 80	332	078181	BS ø 16/18	337	079474	FKS Plus 40 - 44	27
070021	SX 6 x 30 S/10	332	078182	BS ø 24	337	079475	FKS Plus 45 - 50	27
070022	SX 8 x 40 S/20	332	078183	BS ø 28	337	079476	FKS Plus 50 - 55	27
071269	FSB 45°	132	078184	BS ø 35	337	079477	FKS Plus 56 - 63	27
072094	UX 6 x 50	331	078185	SX 6 x 50 R	332	079491	LGS 80	163
072095	UX 6 x 50 R	331	079194	RC IEC 50	269	079492	LGS 90	163
077347	FUS 41/2,5 - 3 m	143	079196	RC IEC 63	269	079493	LGS 100	163
077347	FUS 41/2,5 - 3 m	91	079400	FGRS Plus 12 - 14	23	079494	LGS 112	163
077349	FUS 21/2,5 - 3 m	91	079401	FGRS Plus 15 - 19	23	079495	LGS 125	163
077355	FEC 41 B	104	079402	FGRS Plus 20 - 24	23	079496	LGS 140	163
077355	FEC 41 B	147	079403	FGRS Plus 25 - 30	23	079497	LGS 150	163
077355	FEC 41 B	208	079404	FGRS Plus 32 - 37	23	079498	LGS 160	163
077357	FEC 21 B	104	079405	FGRS Plus 40 - 44	23	079499	LGS 180	163
077357	FEC 21 B	147	079406	FGRS Plus 45 - 50	23	079500	LGS 200	163
077357	FEC 21 B	208	079407	FGRS Plus 50 - 55	23	079501	LGS 224	163
077359	FCA 41 - 300	100	079408	FGRS Plus 56 - 63	23	079502	LGS 250	163
077361	FCA 41 - 450	100	079413	RDM M 10 / M 8	188	079503	LGS 280	163
077363	FCA 41 - 600	100	079414	RDM M 12 / M 10	188	079504	LGS 300	163
077365	FCA 41 - 750	100	079415	SKS 8 x 16	185	079505	LGS 315	163
077405	FCN 6	123	079416	SKS 10 x 20	185	079506	LGS 355	163
077407	FCN 8	123	079417	SKS 10 x 30	185	079507	LGS 400	163
077409	FCN 10	123	079420	FGRS 12 - 14	25	079535	BSMZ 20	281
077411	FCN 12	123	079421	FGRS 15 - 19	25	079536	BSMZ 24	281
077411	FCN 12	148	079422	FGRS 20 - 24	25	079537	BSMZ 28	281
077537	FUS 41/2,5 - 6 m	143	079423	FGRS 25 - 30	25	079549	LBV 12	190
077537	FUS 41/2,5 - 6 m	91	079424	FGRS 32 - 37	25	079550	LBV 17	190
077541	FUS 21/2,5 - 6 m	91	079425	FGRS 40 - 44	25	079551	LBV 25	190
077580	G 3/4"	176	079426	FGRS 45 - 50	25	079553	LBK 14	190
077605	TKL L Ø 9	173	079427	FGRS 50 - 55	25	079554	LBK 19	190
077606	GRD 3/4" / M 12	188	079428	FGRS 56 - 63	25	079555	LBK 27	190
077607	GRD 3/4" / M 10	188	079430	FGRS Plus 12 - 14 M8/M10	23	079570	WK 200/200	127
077608	GRD 1/2" / M 12	188	079431	FGRS Plus 15 - 19 M8/M10	23	079571	WK 207/165	127
077609	GRD 1/2" / M 10	188	079432	FGRS Plus 20 - 24 M8/M10	23	079665	GPL M 8	178
077613	LRBN	165	079433	FGRS Plus 25 - 30 M8/M10	23	079666	GPL M 10	178
077615	SF L 27 A2	244	079434	FGRS Plus 32 - 37 M8/M10	23	079667	GPL 1/2"	178
077625	MW 27-90° A2	244	079435	FGRS Plus 40 - 44 M8/M10	23	079671	GPS M 10	178
077626	MW 27-45° A2	244	079436	FGRS Plus 45 - 50 M8/M10	23	079672	GPS 1/2"	178
077634	FHS CLIX 8 x 30 A2	243	079437	FGRS Plus 50 - 55 M8/M10	23	079675	AHB	180
077636	HG 27 M 8 A2	244	079438	FGRS Plus 56 - 63 M8/M10	23	079676	PDH M 8	158
077641	MU M 10 A4	251	079440	FRS Plus 12 - 15	29	079677	PDH M 10	158
077642	MU M 8 A4	251	079441	FRS Plus 15 - 19	29	079678	PV M 8	182
077643	STS 8 x 100 A2	249	079442	FRS Plus 20 - 24	29	079680	SB M 8	157
077644	G 8 A2	250	079443	FRS Plus 25 - 30	29	079681	SB M 10	157
077645	G 8 A4	250	079444	FRS Plus 32 - 37	29	079685	SBS M 8	155
077689	STST 10 x 60	179	079445	FRS Plus 40 - 45	29	079686	SBS M 10	155
077707	STST 10 x 80	179	079446	FRS Plus 48 - 54	29	079687	TKL M 8	173
077708	STST 10 x 100	179	079447	FRS Plus 55 - 61	29	079688	TKL M 10	173
077709	STST 10 x 120	179	079449	FRS Plus 63 - 67	29	079689	TKL Ø 11	173
077711	STST 10 x 140	179	079450	FRS Plus 68 - 73	29	079690	VM M 8	186
077712	STST 10 x 180	179	079451	FRS Plus 72 - 80	29	079691	VM M 10	186
077714	STST 6 x 80	179	079452	FRS Plus 80 - 86	29	079692	RD M 10 / M 8	187
077715	STS 8 x 100 A4	249	079453	FRS Plus 87 - 92	29	079693	RD M 12 / M 10	187
077716	STS 10 x 100 A4	249	079454	FRS Plus 95 - 103	29	079694	RD M 6 / M 8	187
077869	UX 8 x 50	331	079455	FRS Plus 108 - 116	29	079695	RD 1/2" / M10	187
077870	UX 8 x 50 R	331	079456	FRS 121 - 128 M8/M10	35	079696	AG 8 x 25	186
077871	UX 10 x 60	331	079457	FRS 133 - 141 M8/M10	35	079697	AG 10 x 25	186
077872	UX 10 x 60 R	331	079458	FRS 159 - 165 M8/M10	35	079698	RAH M 8	187
077937	FABS	305	079459	FRS 165 - 168 M8/M10	35	079699	RAH M 10	187
078177	BS ø 8	337	079470	FKS Plus 15 - 19	27	079700	LLS 6 x 50	188
078178	BS ø 10	337	079471	FKS Plus 20 - 24	27	079701	LLS 8 x 50	188

art.-no.	article	page	art.-no.	article	page	art.-no.	article	page
079702	DPP 65	183	080655	WD 10 x 120	295	090450	FIS A M 12 x 140 A4	321
079703	DPP 85	183	080656	WD 10 x 140	295	090451	FIS A M 12 x 160 A4	321
079704	DPP 105	183	080658	WD 8 x 110	295	090452	FIS A M 12 x 180 A4	321
079705	SBB 35	184	080659	WD 8 x 90	295	090453	FIS A M 12 x 210 A4	321
079706	SBB 45	184	080660	WST 10 x 140	295	090454	FIS A M 12 x 260 A4	321
079707	SBB 55	184	080661	WST 12 x 150	295	090455	FIS A M 16 x 175 A4	321
079711	SKS 6 x 20	185	080662	WST 12 x 180	295	090456	FIS A M 16 x 200 A4	321
079713	SKS 8 x 30	185	080668	UST 10 x 120	295	090457	FIS A M 16 x 250 A4	321
079714	SKS 8 x 45	185	080951	AKM 10 CR	296	090458	FIS A M 16 x 300 A4	322
079715	SKS 8 x 55	185	080952	AKM 12 CR	296	090459	FIS A M 20 x 245 A4	322
079717	MW M 8	181	080972	AKM 10 W	296	090460	FIS A M 20 x 290 A4	322
079721	SKS 10 x 55	185	083578	UST 8 x 110	295	090461	FIS A M 24 x 290 A4	322
079725	U 8 x 28	185	087478	BN 2,5 x 100	285	090462	FIS A M 24 x 380 A4	322
079726	U 10 x 28	185	087479	BN 2,5 x 120	285	090464	FIS A M 30 x 430 A4	322
079729	U 8 x 40	185	087480	BN 2,5 x 200	285	090839	BSM 25	281
079730	U 10 x 40	185	087481	BN 3,6 x 150	285	090840	BSM 32	281
079733	MU M 6	186	087484	BN 4,6 x 200	285	090841	BSM 40	281
079734	MU M 8	186	087485	BN 4,8 x 280	285	090842	BSM 50	281
079735	MU M 10	186	087487	BN 7,6 x 350	285	090843	BSM 63	281
079740	G 8	176	087488	UBN 2,5 x 100	285	090844	BSMD 25	281
079741	G 8/2	176	087489	UBN 2,5 x 120	285	090845	BSMD 32	281
079744	G 10	176	087490	UBN 2,5 x 200	285	090846	BSMD 40	281
079745	G 10/2	176	087491	UBN 3,6 x 150	285	090847	BSMD 50	281
079750	GS 8/25	176	087494	UBN 4,6 x 200	285	090848	BSMD 63	281
079751	GS 8/40	176	087495	UBN 4,8 x 280	285	090849	AM 40	279
079752	GS 8/50	176	087497	UBN 7,6 x 350	285	090850	AM 50	279
079753	GS 8/60	176	089300	Ausbläser groß AB G	337	090851	AM 63	279
079754	GS 8/70	176	090243	FIS A M 6 x 75	323	091442	GS 12/40	177
079755	GS 8/80	176	090272	FIS A M 6 x 85	323	091443	GS 12/60	177
079757	GS 8/100	176	090273	FIS A M 6 x 110	323	091444	GS 12/80	177
079758	GS 8/150	176	090274	FIS A M 8 x 90	321	091461	GS 12/100	177
079759	GS 8/200	176	090275	FIS A M 8 x 110	321	091462	GS 12/120	177
079765	GS 10/25	176	090276	FIS A M 8 x 130	321	091463	GS 12/150	177
079766	GS 10/40	176	090277	FIS A M 8 x 175	321	091464	GS 12/200	177
079767	GS 10/60	176	090278	FIS A M 10 x 110	321	091477	U 8 x 17	185
079768	GS 10/80	176	090279	FIS A M 10 x 130	321	091478	U 10 x 21	185
079769	GS 10/100	177	090281	FIS A M 10 x 150	321	091488	FRS 63 - 67 M8/M10	35
079770	GS 10/120	177	090282	FIS A M 10 x 200	321	091489	FRS 72 - 80 M8/M10	35
079771	GS 10/150	177	090283	FIS A M 12 x 140	321	091505	FRS 87 - 92 M8/M10	35
079772	GS 10/200	177	090284	FIS A M 12 x 160	321	091506	FRS 108 - 116 M8/M10	35
079780	STST 8 x 50	179	090285	FIS A M 12 x 180	321	091507	FRSH 159 - 168	37
079781	STST 8 x 60	179	090286	FIS A M 12 x 210	321	092295	FUS 41/2,5 - 2 m	91
079782	STST 8 x 80	179	090287	FIS A M 12 x 260	321	092867	FUS 21/2,5 - 2 m	91
079783	STST 8 x 100	179	090288	FIS A M 16 x 175	321	092960	FCSN M 8 x 30	122
079784	STST 8 x 120	179	090289	FIS A M 16 x 200	321	092961	FCSN M 8 x 40	122
079785	STST 8 x 140	179	090290	FIS A M 16 x 250	321	093354	FCSN M 8 x 50	122
079786	STST 8 x 180	179	090291	FIS A M 16 x 300	322	093355	FCSN M 8 x 60	122
079815	ED 18	192	090292	FIS A M 20 x 245	322	093360	FCSN M 10 x 30	122
079815	ED 18	283	090293	FIS A M 20 x 290	322	093361	FCSN M 10 x 40	122
079820	SZE	192	090294	FIS A M 24 x 290	322	093362	FCSN M 10 x 50	122
079820	SZE	283	090295	FIS A M 24 x 380	322	093363	FCSN M 10 x 60	122
079825	TZH M 8	166	090297	FIS A M 30 x 430	322	093366	FCSN M 12 x 30	122
079826	TZH M 10	166	090437	FIS A M 6 x 75 A4	323	093367	FCSN M 12 x 40	122
079827	SKS 8 x 100	185	090439	FIS A M 6 x 110 A4	323	093700	FRSM 1 1/2" M10/M12	45
079829	LST 10	167	090440	FIS A M 8 x 90 A4	321	093701	FRSM 53 - 58 M10/M12	45
079830	LZ	167	090441	FIS A M 8 x 110 A4	321	093702	FRSM 2" M10/M12	45
079831	HED	184	090442	FIS A M 8 x 130 A4	321	093703	FRSM 2 1/2" M10/M12	45
079831	HED	296	090443	FIS A M 8 x 175 A4	321	093704	FRSM 3" M10/M12	45
080650	WL 10 x 80	296	090444	FIS A M 10 x 110 A4	321	093705	FRSM 102 M10/M12	45
080651	WL 7 x 60	296	090447	FIS A M 10 x 130 A4	321	093707	FRSM 4" M10/M12	45
080652	WL 8 x 70	296	090448	FIS A M 10 x 150 A4	321	093709	FRSM 124 - 129 M10/M12	45
080654	BO 120	295	090449	FIS A M 10 x 200 A4	321	093710	FRSM 131 - 137 M10/M12	45

art.-no.	article	page	art.-no.	article	page	art.-no.	article	page
093711	FRSM 138 - 145 M10/M12	45	097035	FHB II-A L M16 x 160/30	320	097704	FHB II-A S M10 x 60/10 C	319
093712	FRSM 156 - 162 M10/M12	45	097038	FHB II-A L M16 x 160/60	320	097706	FHB II-A S M12 x 75/25 C	319
093713	FRSM 165 - 171 M10/M12	45	097070	FHB II-A L M16 x 160/100	320	097708	FHB II-A S M16 x 95/30 C	319
093714	FRSM 188 - 194 M10/M12	45	097071	FHB II-A L M20 x 210/50	320	097967	Pistole 600 ml	341
093715	FRSM 196 - 203 M10/M12	45	097072	FHB II-A S M10 x 60/10	319	098011	PU 1/750 B3 HandHeld (EN/FR)	333
094404	FIS V 360 S	322	097073	FHB II-A S M10 x 60/20	319	098012	PUP 750 B3 GunGrade (EN/FR)	333
094405	FIS V 360 S	322	097074	FHB II-A S M10 x 60/60	319	500542	FHB II-PF 8 x 60	318
094673	MNS 4-7	275	097206	FHB II-A S M10 x 60/100	319	500543	FHB II-PF 10 x 95	318
094674	MNS 7-11	275	097257	FHB II-A S M12 x 75/10	319	500544	FHB II-PF 12 x 120	318
094675	MNS 10-14	275	097268	FHB II-A S M12 x 75/25	319	500545	FHB II-PF 16 x 160	319
094721	UX 5 x 30	331	097274	FHB II-A S M12 x 75/60	319	500546	FHB II-PF 20 x 210	319
094722	UX 5 x 30 R	331	097275	FHB II-A S M12 x 75/100	319	500547	FHB II-PF 10 x 60	318
094758	UX 6 x 35 R S/20	331	097280	FHB II-A S M12 x 75/165	319	500548	FHB II-PF 12 x 75	318
094759	UX 6 x 50 R S/20	331	097281	FHB II-A S M16 x 95/30	319	500549	FHB II-PF 16 x 95	319
094760	UX 8 x 50 R S/25	331	097286	FHB II-A S M16 x 95/60	319	500550	FHB II-PF 24 x 170	319
094761	UX 10 x 60 S/20	331	097295	FHB II-A S M16 x 95/100	319	500569	FNA II 6 x 30/50 C	315
094762	UX 8 x 50 R S/15	331	097296	FHB II-A S M16 x 95/165	319	500573	FNA II 6 x 30/75 C	315
094871	FAZ II 8/10	303	097297	FHB II-A S M24 x 170/50	319	500574	FNA II 6 x 30/100 C	315
094877	FAZ II 8/30	303	097298	FHB II-A L M8 x 60/10 A4	320	500575	FNA II 6 x 30/120 C	315
094878	FAZ II 8/50	303	097299	FHB II-A L M8 x 60/30 A4	320	500698	FRS Triple 15 - 19	33
094879	FAZ II 8/100	303	097440	FHB II-A L M8 x 60/50 A4	320	500699	FRS Triple 21 - 23	33
094981	FAZ II 10/10	303	097616	FHB II-A L M10 x 95/10 A4	320	500700	FRS Triple 26 - 28	33
094982	FAZ II 10/20	303	097617	FHB II-A L M10 x 95/20 A4	320	500701	FRS Triple 32 - 35	33
094983	FAZ II 10/30	303	097618	FHB II-A L M10 x 95/40 A4	320	500702	FRS Triple 40 - 43	33
094984	FAZ II 10/50	303	097619	FHB II-A L M10 x 95/60 A4	320	500703	FRS Triple 48 - 56	33
094985	FAZ II 10/80	303	097620	FHB II-A L M10 x 95/100 A4	320	500704	FRS Triple 57 - 62	33
094986	FAZ II 10/100	303	097621	FHB II-A L M12 x 120/10 A4	320	500705	FRS Triple 63 - 70	33
095419	FAZ II 12/10	303	097622	FHB II-A L M12 x 120/25 A4	320	500706	FRS Triple 74 - 80	33
095420	FAZ II 12/20	303	097623	FHB II-A L M12 x 120/40 A4	320	500707	FRS Triple 83 - 91	33
095421	FAZ II 12/30	303	097624	FHB II-A L M12 x 120/60 A4	320	500708	FRS Triple 100 - 105	33
095446	FAZ II 12/50	303	097625	FHB II-A L M12 x 120/100 A4	320	500709	FRS Triple 108 - 114	33
095454	FAZ II 12/80	303	097626	FHB II-A L M16 x 160/30 A4	320	500710	FRS Triple 115 - 125	33
095470	FAZ II 12/100	303	097627	FHB II-A L M16 x 160/60 A4	320	500711	FRS Triple 127 - 135	33
095605	FAZ II 12/200	303	097628	FHB II-A L M16 x 160/100 A4	320	500712	FRS Triple 135 - 140	33
095836	FAZ II 16/25	304	097629	FHB II-A L M20 x 210/50 A4	320	500713	FRS Triple 159 - 169	33
095864	FAZ II 16/50	304	097630	FHB II-A S M10 x 60/10 A4	319	500714	FRSN Triple 15 - 19	39
095865	FAZ II 16/100	304	097631	FHB II-A S M10 x 60/20 A4	319	500715	FRSN Triple 21 - 23	39
095967	FAZ II 16/200	304	097632	FHB II-A S M10 x 60/40 A4	319	500716	FRSN Triple 26 - 28	39
095968	FAZ II 16/250	304	097633	FHB II-A S M10 x 60/60 A4	319	500717	FRSN Triple 32 - 35	39
096188	FAZ II 16/300	304	097634	FHB II-A S M10 x 60/100 A4	319	500718	FRSN Triple 40 - 43	39
096497	FIS AC	336	097635	FHB II-A S M12 x 75/10 A4	319	500719	FRSN Triple 48 - 56	39
096824	FHB II-P 8 x 60	318	097636	FHB II-A S M12 x 75/25 A4	319	500720	FRSN Triple 57 - 62	39
096843	FHB II-P 10 x 95	318	097637	FHB II-A S M12 x 75/40 A4	319	500721	FRSN Triple 63 - 70	39
096844	FHB II-P 12 x 120	318	097638	FHB II-A S M12 x 75/60 A4	319	500722	FRSN Triple 74 - 80	39
096845	FHB II-P 16 x 160	318	097639	FHB II-A S M12 x 75/100 A4	319	500723	FRSN Triple 83 - 91	39
096846	FHB II-P 20 x 210	318	097640	FHB II-A S M12 x 75/165 A4	319	500724	FRSN Triple 100 - 105	39
096847	FHB II-P 10 x 60	318	097641	FHB II-A S M16 x 95/30 A4	319	500725	FRSN Triple 108 - 114	39
096848	FHB II-P 12 x 75	318	097642	FHB II-A S M16 x 95/60 A4	319	500744	FRSN 118 - 122 M8/M10	41
096849	FHB II-P 16 x 95	318	097643	FHB II-A S M16 x 95/100 A4	319	500746	FRSN 146 - 156 M8/M10	41
096851	FHB II-P 24 x 170	318	097644	FHB II-A S M16 x 95/165 A4	319	500747	FRSN 159 - 165 M10/M12	41
096907	FHB II-A L M10 x 95/10	320	097645	FHB II-A S M24 x 170/50 A4	319	500748	FRSN 166 - 175 M10/M12	41
096940	FHB II-A L M10 x 95/20	320	097658	FUS 41/2,0 - 3 m	143	500751	FRSN 200 - 206 M10/M12	41
096941	FHB II-A L M10 x 95/60	320	097658	FUS 41/2,0 - 3 m	91	500752	FRSN 210 - 219 M10/M12	41
096942	FHB II-A L M10 x 95/100	320	097659	FUS 41/2,0 - 6 m	143	501396	FAZ II 8/10 A4	303
096943	FHB II-A L M12 x 120/10	320	097659	FUS 41/2,0 - 6 m	91	501399	FAZ II 8/30 A4	303
096944	FHB II-A L M12 x 120/25	320	097660	FUS 21/2,0 - 3 m	91	501401	FAZ II 8/50 A4	303
096958	BSM 26	281	097661	FUS 21/2,0 - 6 m	91	501403	FAZ II 10/10 A4	303
097014	FHB II-A L M12 x 120/60	320	097696	FHB II-A L M8 x 60/10 C	320	501406	FAZ II 10/20 A4	303
097031	FHB II-A L M12 x 120/100	320	097699	FHB II-A L M10 x 95/20 C	320	501407	FAZ II 10/30 A4	303
097032	FHB II-A L M8 x 60/10	320	097700	FHB II-A L M12 x 120/25 C	320	501409	FAZ II 10/50 A4	303
097033	FHB II-A L M8 x 60/30	320	097702	FHB II-A L M16 x 160/30 C	320	501410	FAZ II 10/70 A4	303
097034	FHB II-A L M8 x 60/50	320	097703	FHB II-A L M20 x 210/50 C	320	501411	FAZ II 10/100 A4	303

art.-no.	article	page	art.-no.	article	page	art.-no.	article	page
501412	FAZ II 10/160 A4	303	504436	FCN Clix P 8 A4	249	505546	U 12 x 24 A4	251
501413	FAZ II 12/10 A4	303	504437	FCN Clix P 10 A4	249	505547	SKS M 10 x 30 A4	251
501415	FAZ II 12/20 A4	303	504439	FCN Clix P 12 A4	249	505548	SKS M 12 x 30 A4	251
501416	FAZ II 12/30 A4	303	504440	FCN Clix M 8 A4	249	505551	FEC 62 B	104
501419	FAZ II 12/50 A4	303	504447	FCN Clix M 10 A4	249	505551	FEC 62 B	147
501420	FAZ II 12/60 A4	303	504457	FUS 62/2,5 - 6 m	143	505551	FEC 62 B	208
501421	FAZ II 12/100 A4	303	504457	FUS 62/2,5 - 6 m	91	505552	SKS 10 x 85	185
501423	FAZ II 16/25 A4	304	504458	FUS 21D/2,0 - 3 m	143	505553	SKS 12 x 85	145
501424	FAZ II 16/50 A4	304	504458	FUS 21D/2,0 - 3 m	91	505553	SKS 12 x 85	185
501425	FAZ II 16/100 A4	304	504459	FUS 41D/2,5 - 6 m	143	505576	KFT 9,5	49
501426	FAZ II 20/30 A4	304	504459	FUS 41D/2,5 - 6 m	91	505577	KFT 12,7	49
501427	FAZ II 24/30 A4	304	504460	FUS 62D/2,5 - 6 m	143	505578	KFT 15,8	49
501428	FAZ II 8/10 C	303	504460	FUS 62D/2,5 - 6 m	91	505579	KFT 17,2	49
501429	FAZ II 8/30 C	303	504466	FUS 21/2,0 A2 - 2 m	245	505580	KFT 18,0	49
501430	FAZ II 10/10 C	303	504468	FUS 41/2,0 A2 - 2 m	245	505581	KFT 19,5	49
501431	FAZ II 12/30 C	303	504470	FUS 41/2,5 A2 - 2 m	245	505582	KFT 21,3	49
501432	FAZ II 16/25 C	304	504472	FUS 21/2,0 A4 - 2 m	245	505583	KFT 22,0	49
502283	FIS V 360 S	322	504474	FUS 41/2,0 A4 - 2 m	245	505584	KFT 26,9	49
502456	SXR 10 x 52 FUS	326	504475	FUS 41/2,5 A4 - 2 m	245	505585	KFT 28,0	49
503180	FAZ II 12/160 A4	303	504476	TKR 21 - 42 A4	248	505587	KFT 33,7	49
503183	FAZ II 20/60 A4	304	504477	FCAM 300	103	505588	KFT 35,0	49
503184	FAZ II 24/60 A4	304	504479	FCAM 400	103	505589	KFT 40,0	49
503185	FAZ II 10/30 C	303	504480	FCAM 500	103	505591	KFT 41,2	49
503186	FAZ II 12/10 C	303	504482	FCAM 600	103	505592	KFT 42,4	49
503187	FAZ II 16/50 C	304	504498	FFF 3L	134	505593	KFT 44,5	49
503251	FAZ II 8/160	303	504500	FFF 4T	134	505594	KFT 48,3	49
503252	FAZ II 10/160	303	504515	FZF 41	136	505595	KFT 50,0	49
503253	FAZ II 12/160	303	504517	FUF OC 41	96	505596	KFT 54,0	49
503254	FAZ II 16/160	304	504518	FUF OC 62	96	505597	KFT 57,0	49
503255	FAZ II 20/160	304	504518	FUF OC 62	144	505598	KFT 60,3	49
504315	FCA 62 - 1000	100	504522	SF L 41 A4	246	505599	KFT 64,0	49
504317	FCA 41D - 750	100	504589	FRSM 1/2" M10/M12	45	505901	KFT 70,0	49
504319	FCA 41D - 1000	100	504590	FRSM 3/4" M10/M12	45	505902	KFT 74,0	49
504320	FHS CLIX S 12 x 60	120	504591	FRSM 1" M10/M12	45	505903	KFT 76,1	49
504326	FCN Clix P 6	118	504592	FRSM 1 1/4" M10/M12	45	505904	KFT 80,0	49
504327	FCN Clix P 8	118	504593	FRSM 79 - 85 M10/M12	45	505905	KFT 84,0	49
504329	FCN Clix P 10	118	504594	FRSM 348 - 356 M16	45	505906	KFT 88,9	49
504331	FCN Clix P 12	118	504595	FRSM 364 - 372 M16	45	505907	KFT 92,1	49
504331	FCN Clix P 12	147	504596	FRSM 400 - 409 M16	45	505908	KFT 101,0	49
504344	FCN Clix M 6	118	504597	FRSM 454 - 462 M16	45	505909	KFT 104,0	49
504345	FCN Clix M 8	118	504598	FRSM 500 - 508 M16	45	505910	KFT 108,0	49
504346	FCN Clix M 10	118	505453	FRSM 212 M12/M16	45	505911	KFT 114,3	49
504347	FCN Clix M 12	118	505454	FRSM 8" M12/M16	45	505914	KFT 129,0	49
504355	SF L 41	125	505455	FRSM 250 M12/M16	45	505915	KFT 133,0	49
504357	SF L 82	125	505456	FRSM 10" M12/M16	45	505916	KFT 139,7	50
504358	SF L 124	125	505457	FRSM 300 M12/M16	45	505917	KFT 154,0	50
504363	TKR 21 - 42	133	505458	FRSM 12" M12/M16	45	505918	KFT 159,0	50
504366	TKR 82	133	505460	FCAM 700	103	505919	KFT 168,3	50
504367	TKR 124	133	505483	UX 8 x 40 R	331	505920	KFT 193,7	50
504367	TKR 124	146	505487	FCA 41 A4 - 300	245	505921	KFT 204,0	50
504368	FFF 4D	134	505488	FCA 41 A4 - 450	245	505922	KFT 219,1	50
504375	FZF 21	136	505489	FCA 41 A4 - 600	245	506486	FRS K 12/13	47
504376	FUF 21	136	505536	GS 8/40 A4	250	506487	FRS K 15/13	47
504377	FUF 41	136	505537	GS 8/60 A4	250	506488	FRS K 17-18/13	47
504378	FUF 4Y	137	505538	GS 10/40 A4	250	506489	FRS K 21-22/13	47
504379	FUF 180°L	137	505539	GS 10/60 A4	250	506490	FRS K 27-28/13	47
504383	FUF 180°R	137	505540	VM M8 A4	250	506491	FRS K 34-35/13	47
504387	FUF 8T	137	505541	VM M10 A4	250	506492	FRS K 42/13	47
504397	RD M 12 / M 16	187	505542	U 8 x 28 A4	251	506493	FRS K 48-49/13	47
504399	RD M 16 / M 12	187	505543	U 8 x 40 A4	251	506494	FRS K 60/13	47
504400	STST 6 x 60	179	505544	U 10 x 28 A4	251	506495	FRS K 12/19	47
504408	GPS M 16	178	505545	U 10 x 40 A4	251	506496	FRS K 15/19	47

art.-no.	article	page	art.-no.	article	page	art.-no.	article	page
506497	FRS K 17-18/19	47	508002	FHB II-PF 16 x 145	319	516537	LKHN	164
506498	FRS K 21-22/19	47	508003	FHB II-PF 20 x 170	319	516540	ZKHN	164
506499	FRS K 27-28/19	47	508004	FHB II-PF 24 x 210	319	517411	FCA 41 - 300 fvz	205
506500	FRS K 34-35/19	47	508016	FHB II-P 10 x 75	318	517412	FCA 41 - 450 fvz	205
506501	FRS K 42/19	47	508833	VM M 16	186	517413	FCA 41 - 600 fvz	205
506502	FRS K 48-49/19	47	509214	FIS A M 8 x 1000	321	517414	FCA 41 - 750 fvz	205
506503	FRS K 60/19	47	509215	FIS A M 10 x 1000	321	517415	FUF OC 41 fvz	203
506504	FRS K 64/19	47	509216	FIS A M 12 x 1000	321	517420	FCN Clix P 12 fvz	222
506505	FRS K 70/19	47	509217	FIS A M 16 x 1000	322	517421	SF L 41 fvz	224
506506	FRS K 76/19	47	509223	FIS A M 10 x 1000 8.8	321	517426	FUS 41/2,0 - 3 m fvz	199
506508	FRS K 89/19	47	509224	FIS A M 12 x 1000 8.8	321	517427	FUS 62/2,5 - 3 m fvz	199
506509	FRS K 102/19	47	509225	FIS A M 16 x 1000 8.8	322	517428	FUS 62/2,5 - 6 m fvz	199
506510	FRS K 108/19	47	509230	FIS A M 8 x 1000 A4	321	517598	DKM-290 ML (DE/EN)	334
506511	FRS K 114/19	47	509231	FIS A M 10 x 1000 A4	321	517599	DKM-290 ML (DE/EN)	334
506884	FHB II-A S M10 x 75/10	319	509232	FIS A M 12 x 1000 A4	321	517600	DKM-290 ML schwarz (DE/EN)	334
506885	FHB II-A S M10 x 75/20	319	509233	FIS A M 16 x 1000 A4	322	517935	FIS A M 10 x 150 8.8	321
506886	FHB II-A S M10 x 75/60	319	509241	FTC-ZA (EN/FR/ES/PT)	335	517936	FIS A M 10 x 190 8.8	321
506887	FHB II-A S M10 x 75/100	319	509242	FTC-ZS (EN/FR/ES/PT)	335	517937	FIS A M 12 x 160 8.8	321
506888	FHB II-A S M10 x 75/10 A4	319	510969	FRS 12 - 15 M8/M10	35	517938	FIS A M 12 x 200 8.8	321
506889	FHB II-A S M10 x 75/20 A4	319	510970	FRS 48 - 54 M8/M10	35	517939	FIS A M 16 x 200 8.8	321
506890	FHB II-A S M10 x 75/40 A4	319	510992	FIS DM S-L	336	517940	FIS A M 16 x 250 8.8	321
506891	FHB II-A S M10 x 75/60 A4	319	511118	FIS DM S	336	518831	FIS SB 390 S	321
506892	FHB II-A S M10 x 75/100 A4	319	512208	DSSA FUG (DE/EN)	334	519021	FPX M6-I	317
506893	FHB II-A L M12 x 100/10	320	512209	DSSA SAG (DE/EN)	334	519022	FPX M8-I	317
506894	FHB II-A L M12 x 100/25	320	512210	DSSA MA (DE/EN)	334	519023	FPX M10-I	317
506895	FHB II-A L M12 x 100/60	320	512211	DSSA AN (DE/EN)	334	519024	FPX M12-I	317
506896	FHB II-A L M12 x 100/100	320	512401	FIS DP S-XL	336	519390	FIS A M 8 x 90 8.8	321
506897	FHB II-A L M12 x 100/10 A4	320	512605	Thermax 10/200 M6	328	519391	FIS A M 8 x 110 8.8	321
506898	FHB II-A L M12 x 100/25 A4	320	512709	KSU S 440	257	519392	FIS A M 8 x 130 8.8	321
506899	FHB II-A L M12 x 100/40 A4	320	512710	KSU S 520	257	519393	FIS A M 8 x 175 8.8	321
506901	FHB II-A L M12 x 100/60 A4	320	512711	KSU S 600	257	519395	FIS A M 10 x 170 8.8	321
506902	FHB II-A L M12 x 100/100 A4	320	512712	KSU 440	257	519396	FIS A M 10 x 200 8.8	321
506903	FHB II-A L M16 x 125/30	320	512713	KSU 520	257	519397	FIS A M 12 x 120 8.8	321
506904	FHB II-A L M16 x 125/60	320	512714	KSU 600	257	519398	FIS A M 12 x 140 8.8	321
506905	FHB II-A L M16 x 125/100	320	512715	PA 30 x 30	257	519399	FIS A M 12 x 180 8.8	321
506906	FHB II-A L M16 x 125/30 A4	320	512716	FSFP 1"	152	519400	FIS A M 16 x 130 8.8	321
506909	FHB II-A L M16 x 125/60 A4	320	512717	FSFP 1 1/4"	152	519401	FIS A M 16 x 175 8.8	321
506910	FHB II-A L M16 x 125/100 A4	320	512718	FSFP 1 1/2"	152	519402	FIS A M 16 x 300 8.8	322
506911	FHB II-A L M16 x 145/30	320	512719	FSFP 2"	152	519404	FIS A M 20 x 245 8.8	322
506912	FHB II-A L M16 x 145/60	320	512720	FSFP 2 1/2"	152	519406	FIS A M 20 x 290 8.8	322
506913	FHB II-A L M16 x 145/100	320	512721	FSFP 3"	152	519410	FIS A M 20 x 1000 8.8	322
506914	FHB II-A L M16 x 145/30 A4	320	512722	FSFP 4"	152	519421	FIS A M 12 x 200 A4	321
506915	FHB II-A L M16 x 145/60 A4	320	513302	FRSL 34	55	519427	FIS A M 20 x 1000 A4	322
506916	FHB II-A L M16 x 145/100 A4	320	513303	FRSL 43	55	519450	FIS SB 390 S	321
506917	FHB II-A S M20 x 170/50	319	513304	FRSL 49	55	519451	FIS SB 390 S	321
506919	FHB II-A S M20 x 170/50 A4	319	513307	FRSL 60	55	519452	FIS SB 585 S	321
506920	FHB II-A L M24 x 210/50	320	513308	FRSL 76	55	519665	FIS HB 150 C	318
506921	FHB II-A L M24 x 210/50 A4	320	513309	FRSL 90	55	520471	U-Scheibe für FBS II 10	309
507699	FRS K 54/13	47	513310	FRSL 115	55	520526	FIS SB 585 S	321
507700	FRS K 54/19	47	513311	FRSL 140	55	520555	FIS SB 390 S	321
507786	FRS K 133/19	47	513312	FRSL 170	55	520557	FIS SB 390 S	321
507787	FRS K 139/19	47	513429	PUP M4 BLACK	336	520559	FIS SB 390 S	321
507788	FRS K 168/19	47	514250	Thermax 10/220 M6	328	520593	FIS UMR	321
507866	FSC 1	156	514251	Thermax 10/240 M6	328	520595	FIS SB 390 S	321
507922	FHB II-P 12 x 100	318	514252	Thermax 10/180 M8	328	521431	FIS V 410 C	322
507923	FHB II-P 16 x 125	318	514253	Thermax 10/200 M8	328	521760	KLIMA EASY KLIK	255
507924	FHB II-P 16 x 145	318	514254	Thermax 10/220 M8	328	521761	KLIMA KLIK 420	255
507925	FHB II-P 20 x 170	318	514255	Thermax 10/240 M8	328	522108	FAZ II 10/10 K	305
507926	FHB II-P 24 x 210	318	514256	Thermax 10/180 M10	328	522110	FAZ II 10/20 K	305
507999	FHB II-PF 10 x 75	318	514257	Thermax 10/200 M10	328	522115	FAZ II 10/10 K GS	305
508000	FHB II-PF 12 x 100	318	514258	Thermax 10/220 M10	328	522116	FAZ II 10/10 K A4	305
508001	FHB II-PF 16 x 125	319	514259	Thermax 10/240 M10	328	522117	FAZ II 10/20 K A4	305

art.-no.	article	page	art.-no.	article	page	art.-no.	article	page
522118	FAZ II 12/10 K	305	531134	TKLS Ø 9	175	535535	GS 8/120	176
522119	FAZ II 12/20 K	305	531136	TKLS Ø 11	175	535536	GS 8/180	176
522121	FAZ II 12/10 K GS	305	531137	TKLS Ø 13	175	535537	SKS 10 x 65	185
522122	FAZ II 12/10 K A4	305	531138	TKLS Ø 17	175	535538	SKS 12 x 25	145
522123	FAZ II 12/20 K A4	305	531573	FIS V 300 T	322	535538	SKS 12 x 25	185
522124	FAZ II 16/5	303	532230	EA II M 6 x 25	313	535539	SKS 12 x 65	145
522125	FAZ II 16/5 A4	303	532231	EA II M 8 x 25	313	535539	SKS 12 x 65	185
522517	Setzwerkzeug FPX M6 I	317	532232	EA II M 10 x 25	313	535540	U 16 x 40	185
522518	Setzwerkzeug FPX M8-M12 I	317	532233	EA II M 12 x 25	313	535541	STST 12 x 100	179
522719	SXRL 10 x 80 FUS	327	532568	EHS M 12 x 25 Plus	314	535542	STST 12 x 160	179
522720	SXRL 10 x 100 FUS	327	532607	EBB 8 x 25	313	536851	FBS II 8x55 5/- US TX	307
522721	SXRL 10 x 120 FUS	327	532608	EBB 10 x 25	313	536852	FBS II 8x70 20/5 US TX	307
522723	SXRL 10 x 140 FUS	327	532609	EBB 12 x 25	313	536853	FBS II 8x80 30/15 US TX	307
522724	SXRL 10 x 160 FUS	327	532610	EBB 15 x 25	313	536854	FBS II 8x90 40/25 US TX	307
522725	SXRL 10 x 180 FUS	327	533159	FMB T40 Maxx Bit W 5	309	536855	FBS II 8x100 50/35 US TX	307
522726	SXRL 10 x 200 FUS	327	533731	PUWS 2 x 2/135°	108	536856	FBS II 8x110 60/45 US TX	307
522727	SXRL 10 x 230 FUS	327	533733	PUWS 2 x 2	108	536857	FBS II 8x130 80/65 US TX	307
522728	SXRL 10 x 260 FUS	327	533734	PUWS 4 x 4	108	536858	FBS II 10x60 5/- US	307
522729	SXRL 10 x 290 FUS	327	533735	PFAF 2	114	536859	FBS II 10x70 15/5/- US	307
522730	SXRL 10 x 80 FUS A4	327	533736	PFAF 3	114	536860	FBS II 10x80 25/15/- US	307
522731	SXRL 10 x 100 FUS A4	327	533737	PFAF 4/135°	114	536861	FBS II 10x90 35/25/5 US	308
522732	SXRL 10 x 120 FUS A4	327	533738	PFUF 41	115	536862	FBS II 10x100 45/35/15 US	308
522733	SXRL 10 x 140 FUS A4	327	533739	PFCN 41	105	536863	FBS II 10x120 65/55/35 US	308
522734	SXRL 10 x 160 FUS A4	327	533740	PSF 41	107	536864	FBS II 10x140 85/75/55 US	308
522735	SXRL 10 x 180 FUS A4	327	533741	PSF 82	107	536865	FBS II 10x160 105/95/75 US	308
522736	SXRL 10 x 200 FUS A4	327	533742	PSF 124	107	536866	FBS II 10x200 145/135/115 US	308
522737	SXRL 10 x 230 FUS A4	327	533743	PFUF OC	96	536867	FBS II 10x230 175/165/145 US	308
522738	SXRL 10 x 260 FUS A4	327	533744	PWK 200/200	109	536868	FBS II 10x260 205/195/175 US	308
522739	SXRL 10 x 290 FUS A4	327	533745	PFFF 2L	113	536869	FBS II 12x70 10/-/- US	308
523303	FIS SB HIGH SPEED 390 S	321	533830	DKM-290 ML transparent (DE/EN)	334	536870	FBS II 12x85 25/10/- US	308
524035	FRSP 1/2"	53	533881	FIS A M 24 x 1000 5.8	322	536871	FBS II 12x110 50/35/10 US	308
524036	FRSP 3/4"	53	534880	FIS V 410 C	322	536872	FBS II 12x130 70/55/30 US	308
524037	FRSP 1"	53	534960	PVB	110	536873	FBS II 12x150 90/75/50 US	308
524038	FRSP 1 1/4"	53	535266	PSFQ 41	107	536874	FBS II 14x75 10/-/- US	308
524039	FRSP 1 1/2"	53	535267	PFAF 4	114	536875	FBS II 14x95 30/10/- US	308
524040	FRSP 2"	53	535268	PFFF 4I	113	536876	FBS II 14x100 35/15/- US	308
524041	FRSP 2 1/2"	53	535269	PSAE 300 Stütze	112	536877	FBS II 14x125 60/40/10 US	308
524042	FRSP 3"	53	535270	PSAE 500 Stütze	112	536878	FBS II 14x150 85/65/35 US	308
524043	FRSP 4"	53	535271	PU 10,5 U-Scheibe	112	536880	FBS II 8x60 10/- SK	308
524044	FRSP 5"	53	535272	PU 12,5 U-Scheibe	112	536881	FBS II 8x80 30/15 SK	308
524045	FRSP 6"	53	535273	PFUF 3DL	116	536882	FBS II 8x90 40/25 SK	308
524046	FRSP 8"	53	535274	PFUF 3DR	116	536884	FBS II 10x65 10/-/- SK	308
524047	TZA M10	166	535275	PFUF 4D	116	536885	FBS II 10x80 25/15/- SK	308
524170	FIS A M 10 x 130 8.8	321	535494	FRSM 3/8"	43	536886	FBS II 10x95 40/30/10 SK	308
530946	SXRL 14 x 80 FUS	327	535497	FRSM 1/2"	43	536887	FBS II 10x100 45/35/15 SK	308
530947	SXRL 14 x 100 FUS	327	535498	FRSM 3/4"	43	536888	FBS II 10x120 65/55/35 SK	308
530948	SXRL 14 x 120 FUS	327	535499	FRSM 1"	43	536978	FCA 21D - 300	100
530949	SXRL 14 x 140 FUS	327	535500	FRSM 1 1/4"	43	536979	FCA 21D - 450	100
530950	SXRL 14 x 160 FUS	327	535501	FRSM 1 1/2"	43	536980	FCA 21D - 600	100
530951	SXRL 14 x 180 FUS	327	535502	FRSM 2"	43	537065	FHB II-A L M12 x 100/50 GS A4	320
530952	SXRL 14 x 200 FUS	327	535503	FRSM 2 1/2"	43	537149	FIS VL 300 T mit Clip	325
530953	SXRL 14 x 230 FUS	327	535504	FRSM 3"	43	537200	Prüfhülse FUP 8	309
530954	SXRL 14 x 260 FUS	327	535505	FRSM 110 mm	43	537201	Prüfhülse FUP 10	309
530955	SXRL 14 x 80 FUS A4	327	535506	FRSM 4"	43	537202	Prüfhülse FUP 12	309
530956	SXRL 14 x 100 FUS A4	327	535507	FRSM 133 mm	43	537203	Prüfhülse FUP 14	309
530957	SXRL 14 x 120 FUS A4	327	535508	FRSM 5"	43	537207	FCA 21 - 200	100
530958	SXRL 14 x 140 FUS A4	327	535509	FRSM 160 mm	43	537208	FCA 21 - 300	100
530959	SXRL 14 x 160 FUS A4	327	535511	FRSM 6"	43	537209	FCA 21 - 450	100
530960	SXRL 14 x 180 FUS A4	327	535531	FUS 21D/2,0 - 6 m	143	537210	BLR 100 M10	184
530961	SXRL 14 x 200 FUS A4	327	535531	FUS 21D/2,0 - 6 m	91	537211	SPS M 10	184
530962	SXRL 14 x 230 FUS A4	327	535532	MU M 20	186	537212	FGRS 8 - 11	25
530963	SXRL 14 x 260 FUS A4	327	535534	MU M 24	186	537213	RD 3/4" / M 12 lang	187

art.-no.	article	page	art.-no.	article	page	art.-no.	article	page
537214	RD 3/4" / M 16 lang	187	538085	FRSL 60 M8	55	538663	HK 31 8,5	86
537215	RD 1/2" / M 10 lang	187	538106	FCN Clix P 8 fvz	222	538664	HK 31 10,5	86
537581	FFF 3L fvz	233	538107	FCN Clix P 10 fvz	222	538665	SF Clix 31	81
537583	FFF 4T fvz	233	538108	FCN Clix M 8 fvz	222	538666	MW Clix 90°	83
537584	FFF 4D fvz	233	538109	FCN Clix M 10 fvz	222	538667	MWU 90°	85
537585	FUF 4Y fvz	236	538110	FCN Clix M 12 fvz	222	538668	MW 90°	85
537586	FUF 180°L fvz	236	538115	UWS fvz	225	538738	ALK 17-200	67
537587	FUF 180°R fvz	236	538117	WK 100/100 fvz	226	538739	ALK 17-300	67
537588	FUF 21 fvz	235	538118	WK 200/200 fvz	226	538740	ALK 30-200	67
537589	FUF 41 fvz	235	538120	FSB 45° fvz	229	538741	ALK 30-300	67
537590	FUF 8T fvz	236	538122	TKR 21- 42 fvz	230	538742	ALK 30-450	67
537591	FUF OC 62 fvz	203	538123	TKR 82 fvz	230	538743	ALK 37-300	67
537653	FUS 21/2,0 - 3 m fvz	199	538124	TKR 124 fvz	230	538744	ALK 37-450	67
537656	FUS 41/2,0 - 6 m fvz	199	538125	SF L 82 fvz	224	538745	ALK 37-600	67
537658	FUS 41/2,5 - 6 m fvz	199	538126	SF L 124 fvz	224	538746	AK 17	69
537659	FUS 21D/2,0 - 3 m fvz	199	538131	FIS V 410 C	322	538747	AK 30	69
537661	FUS 21D/2,0 - 6 m fvz	199	538150	FIAM 310 (TR,PT,ES,IT)	341	538748	AK 37	69
537662	FUS 41D/2,5 - 6 m fvz	199	538151	FIAM 310 (PL,SK,CZ,HU)	341	538749	WS 31-45°	71
537663	FUS 62D/2,5 - 6 m fvz	199	538152	FIAM 310 (DK,FI,SE,NO)	341	538751	TKR 31	87
537680	SKS 12 x 25 fvz	238	538240	DUOPOWER 6 x 50	330	538752	EMS 31	168
537681	SKS 10 x 25 fvz	238	538241	DUOPOWER 8 x 65	330	538753	FLS 17/1,0 - 2 m	63
537682	U 8 x 28 fvz	237	538242	DUOPOWER 10 x 80	330	538754	FLS 17/1,0 - 3 m	63
537683	U 10 x 21 fvz	237	538243	DUOPOWER 12 x 60	330	538755	FLS 30/1,0 - 2 m	63
537684	U 10 x 40 fvz	237	538244	DUOPOWER 14 x 70	330	538756	FLS 30/1,0 - 3 m	63
537685	U 12 x 24 fvz	237	538245	DUOPOWER 6 x 50 S	330	538757	FLS 37/1,2 - 2 m	63
537686	U 12 x 40 fvz	237	538246	DUOPOWER 8 x 65 S	330	538758	FLS 37/1,2 - 3 m	63
537687	MU M8 fvz	238	538247	DUOPOWER 10 x 80 S	330	538759	FLS 37/1,2 - 6 m	63
537688	MU M10 fvz	238	538248	DUOPOWER 12 x 60 S	330	538989	FAZ II 8/5 K	305
537689	MU M12 fvz	238	538249	DUOPOWER 14 x 70 S	330	538990	FAZ II 8/5 K A4	305
537690	MU M16 fvz	238	538458	FFD 26 x 12 x 6	309	539443	FRS-L 8 - 11 Universal	31
537691	G 8 zl	237	538459	FFD 30 x 14 x 6	309	539444	FRS-L 12 - 15 Universal	31
537694	G 10 fvz	237	538460	FFD 38 x 19 x 7	309	539445	FRS-L 16 - 19 Universal	31
537695	G 12 fvz	237	538549	FIS VL 410 C im Eimer	325	539446	FRS-L 20 - 24 Universal	31
537696	G 16 fvz	237	538574	FPB Profi-Bit T50 5/16"	309	539447	FRS-L 25 - 30 Universal	31
537981	FRS 12 - 15 M8/M10 zl	197	538575	Stecknuss TX40	309	539448	FRS-L 31 - 37 Universal	31
537982	FRS 15 - 19 M8/M10 zl	197	538576	Stecknuss TX50	309	539449	FRS-L 38 - 45 Universal	31
537983	FRS 20 - 24 M8/M10 zl	197	538578	Stecknuss SW13	309	539450	FRS-L 46 - 52 Universal	31
537984	FRS 25 - 30 M8/M10 zl	197	538579	Stecknuss SW15	309	539451	FRS-L 53 - 59 Universal	31
537985	FRS 32 - 37 M8/M10 zl	197	538580	Stecknuss SW17	309	539452	FRS-L 60 - 66 Universal	31
537986	FRS 40 - 45 M8/M10 zl	197	538581	Stecknuss SW21	309	539453	FRS-L 67 - 75 Universal	31
537987	FRS 48 - 54 M8/M10 zl	197	538583	FIS VL 300 T mit Clip	325	539454	FRS-L 76 - 84 Universal	31
537988	FRS 55 - 61 M8/M10 zl	197	538584	FIS VL 410 C	325	539455	FRS-L 85 - 93 Universal	31
537989	FRS 63 - 67 M8/M10 zl	197	538585	FIS VL 300 T HIGH SPEED mit Clip	325	539456	FRS-L 94 - 100 Universal	31
537990	FRS 72 - 80 M8/M10 zl	197	538586	FIS VL 410 C HIGH SPEED	325	539457	FRS-L 101 - 110 Universal	31
537991	FRS 87 - 92 M8/M10 zl	197	538589	FIS VL 300 T HWK groß	325	539459	FRS-L 111 - 119 Universal	31
537992	FRS 108 - 116 M8/M10 zl	197	538590	FIS VL 410 C HWK groß	325	539461	FIS VL 300 T	325
537993	FRS 121 - 128 M8/M10 zl	197	538641	SV 31	73	539462	FIS VL 300 T im Eimer	325
537994	FRS 133 - 141 M8/M10 zl	197	538643	FSM Clix P 6	75	539463	FIS VL 410 C	325
537995	FRS 159 - 165 M8/M10 zl	197	538647	FSM Clix P 8	75	539464	FIS VL 410 C im Eimer	325
537996	FRS 165 - 168 M8/M10 zl	197	538649	FSM Clix P 10	75	539477	FRS K 219/19	47
538015	FCA 62 - 1000 fvz	205	538650	FSM Clix M 6	77	539564	FUBD 40	57
538016	FCA 41D - 750 fvz	205	538651	FSM Clix M 8	77	539566	FUBD 52	57
538017	FCA 41D - 1000 fvz	205	538652	FSM Clix M 10	77	539567	FUBD 60	57
538018	FCAM 300 fvz	207	538653	FHS CLIX 8 x 30	79	539568	FUBD 76	57
538019	FCAM 400 fvz	207	538654	FHS CLIX 8 x 40	79	539569	FUBD 94	57
538020	FCAM 500 fvz	207	538655	FHS CLIX 8 x 60	79	539570	FUBD 100	57
538021	FCAM 600 fvz	207	538656	FHS CLIX 8 x 80	79	539609	FCC	345
538022	FCAM 700 fvz	207	538657	FHS CLIX 8 x 100	79	540084	DBSA ANG (DE/EN)	334
538080	RD M 16 / M 12 lang	187	538658	FHS CLIX 10 x 30	79	541441	KP M3	336
538082	FRSL 34 M8	55	538659	FHS CLIX 10 x 40	79	541712	HTM WH 290 (DE/EN)	335
538083	FRSL 43 M8	55	538660	FHS CLIX 10 x 60	79	541987	FFD 30 x 14 x 6 A4	309
538084	FRSL 49 M8	55	538661	FHS CLIX 10 x 100	79	542621	FAZ II 6/10	303

art.-no.	article	page	art.-no.	article	page	art.-no.	article	page
542622	FAZ II 6/20	303	543924	GBN 2,5 x 100	285	546388	FBS II 6 x 140/85 SK	311
542623	FAZ II 6/10 A4	303	543925	GBN 2,5 x 150	285	546389	FBS II 6 x 160/105 SK	311
542624	FAZ II 6/20 A4	303	543926	GBN 2,5 x 200	285	546390	FBS II 6 x 40/5 US	311
542708	PUWS 2 x 2/135° zl	212	543927	GBN 3,6 x 150	285	546391	FBS II 6 x 60/5 US	311
542709	PUWS 2 x 2 zl	212	543928	GBN 4,6 x 200	285	546392	FBS II 6 x 80/25 US	311
542710	PUWS 4 x 4 zl	212	543929	GBN 4,8 x 280	285	546393	FBS II 6 x 100/45 US	311
542711	PFAF 2 zl	218	543965	FLS Hand-Schneidewerkzeug	66	546394	FBS II 6 x 120/65 US	311
542712	PFAF 3 zl	218	544079	FBS-UL	347	546395	FBS II 6 x 25 M8/19	312
542713	PFAF 4/135° zl	218	544083	FBB-UL FireStop Block	347	546396	FBS II 6 x 35 M8/19	312
542714	PFUF 41 zl	219	544084	FBS-EN (DE, FR, EN, IT)	347	546397	FBS II 6 x 55 M8/19	312
542715	PSF 41 zl	211	544085	FBS-EN (DK, FI, SE, NO)	347	546398	FBS II 6 x 35 M10/21	312
542716	PSF 82 zl	211	544086	FBS-EN (PL, SK, CZ, HU)	347	546399	FBS II 6 x 55 M10/21	312
542718	PSF 124 zl	211	544087	FBS-EN (TR, PT, ES, NL)	347	546400	FBS II 6 x 35 M8/M10 I	312
542719	PFUF OC zl	203	544088	FBB-EN FireStop Block	347	546401	FBS II 6 x 55 M8/M10 I	312
542720	PWK 200/200 zl	213	544089	FIB Insulating Bandage	347	546506	SXRL 10 x 60 FUS	327
542721	PFFF 2L zl	217	544090	FFBD Foam Barrier Dispenser	347	546507	SXRL 10 x 60 FUS A4	327
542722	PVB zl	214	544589	GS 6/25	176	547492	HK 41 8,5	124
542723	PSFO 41 zl	211	544590	GS 6/40	176	547493	HK 41 10,5	124
542724	PFAF 4 zl	218	544591	GS 6/50	176	547494	HK 41 12,5	124
542725	PFFF 4l zl	217	544592	GS 6/70	176	547494	HK 41 12,5	144
542726	PSAE zl 300 Stütze	216	544593	GS 6/80	176	547495	HK 41 12,5 fvz	223
542727	PSAE zl 500 Stütze	216	544594	GS 6/100	176	547496	HK 41 10,5 fvz	223
542728	PU zl 10,5 U-Scheibe	216	544595	U 6 x 12	185	547497	HK 41 12,5 - A4	248
542729	PU zl 12,5 U-Scheibe	216	544905	FRS-L 120 - 129 Universal	31	547500	FFF 1	134
542730	PFUF 3DL zl	220	544906	FRS-L 130 - 137 Universal	31	547501	FFF 4	134
542731	PFUF 3DR zl	220	544907	FRS-L 138 - 145 Universal	31	547502	FAF 2	135
542732	PFUF 4D zl	220	544908	FRS-L 146 - 155 Universal	31	547503	FAF 3	135
542733	PFCN 41 zl	209	544909	FRS-L 156 - 163 Universal	31	547504	FAF 4	135
542735	FUS 21/2,0 A2 - 6 m	245	544910	FRS-L 164 - 172 Universal	31	547505	FAF 4/135°	135
542736	FUS 41/2,0 A2 - 6 m	245	545117	FUS 21/1,5 - 2 m	91	547506	FFF 1 fvz	233
542737	FUS 41/2,5 A2 - 6 m	245	545118	FUS 21/1,5 - 3 m	91	547507	FFF 4 fvz	233
542738	FUS 21/2,0 A4 - 6 m	245	545119	FUS 21/1,5 - 6 m	91	547508	FAF 2 fvz	234
542739	FUS 41/2,0 A4 - 6 m	245	545120	FUS 41/1,5 - 2 m	91	547509	FAF 3 fvz	234
542740	FUS 41/2,5 A4 - 6 m	245	545126	FUS 41/1,5 - 3 m	91	547510	FAF 4 fvz	234
542960	LGS 630	163	545127	FUS 41/1,5 - 6 m	91	547511	FAF 4/135° fvz	234
542962	LGS 710	163	545128	FUS 21/1,5 - 3 m fvz	199	547512	FAF 2 A4	246
543060	FVS 3 II	142	545129	FUS 41/1,5 - 3 m fvz	199	547513	FAF 4 A4	246
543063	FVS 4 II	142	545636	FDN II 6/5	316	547514	FAF 4/135° A4	246
543065	FUH 13	130	545637	FDN II 6/35	316	547515	FFD 22 x 9 x 6	309
543065	FUH 13	147	545638	FDN II 6/5 K	316	550806	EMS 41	168
543565	FBS II 8x60 10/- US A4	310	545639	FDN II 6/35 K	316	555005	DUOPOWER 5 x 25	330
543566	FBS II 8x70 5/- US A4	310	545649	FRS 95 - 103 M8/M10	35	555006	DUOPOWER 6 x 30	330
543567	FBS II 8x80 15/- US A4	310	545650	VB	131	555008	DUOPOWER 8 x 40	330
543568	FBS II 8x90 25/- US A4	310	545651	VB A2	247	555010	DUOPOWER 10 x 50	330
543569	FBS II 10x60 5/- US A4	310	545771	VB fvz	228	555105	DUOPOWER 5 x 25 S	330
543570	FBS II 10x70 15/5/- US A4	310	545834	FHS CLIX 8 x 140	79	555106	DUOPOWER 6 x 30 S	330
543571	FBS II 10x80 25/15/- US A4	310	545835	FHS CLIX 8 x 190	79	555108	DUOPOWER 8 x 40 S	330
543572	FBS II 10x90 5/- US A4	310	545836	FHS CLIX 10 x 80	79	555110	DUOPOWER 10 x 50 S	330
543573	FBS II 10x100 15/- US A4	310	545853	FIS MR Plus	318	557092	G 10/3	176
543574	FBS II 10x120 35/- US A4	310	546148	FDCC	97	557270	G 24	176
543575	FBS II 12x70 10/- US A4	310	546322	2K PU 400 PLUS	333	557295	G 20	176
543576	FBS II 12x85 25/10/- US A4	310	546377	FBS II 6 x 30/5 P	311	557297	MU M 16	186
543577	FBS II 12x110 10/- US A4	310	546378	FBS II 6 x 40/5 P	311	557301	U 12 x 24	185
543578	FBS II 12x130 30/- US A4	310	546379	FBS II 6 x 40/5 LP	311	557303	U 16 x 30	185
543579	FBS II 8x60 10/- SK A4	310	546380	FBS II 6 x 60/5 P	311	579746	G 12/2	176
543580	FBS II 8x80 15/- SK A4	310	546381	FBS II 6 x 80/25 P	311			
543581	FBS II 8x90 25/- SK A4	310	546382	FBS II 6 x 30/5 SK	311			
543582	FBS II 10x65 10/- SK A4	310	546383	FBS II 6 x 40/5 SK	311			
543583	FBS II 10x80 25/15/- SK A4	310	546384	FBS II 6 x 60/5 SK	311			
543584	FBS II 10x95 10/- SK A4	310	546385	FBS II 6 x 80/25 SK	311			
543585	FBS II 10x100 15/- SK A4	310	546386	FBS II 6 x 100/45 SK	311			
543586	FBS II 10x120 35/- SK A4	310	546387	FBS II 6 x 120/65 SK	311			

